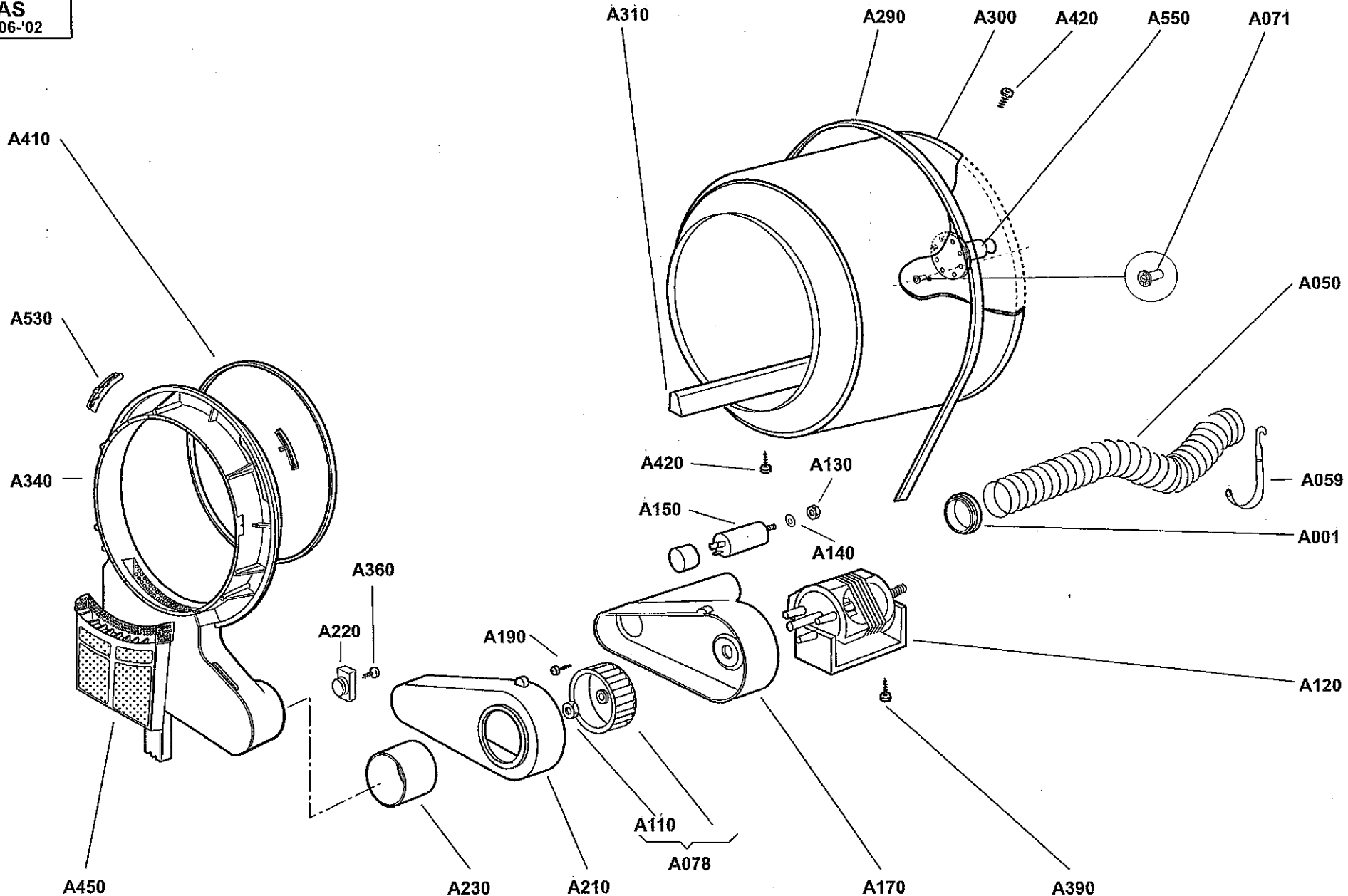
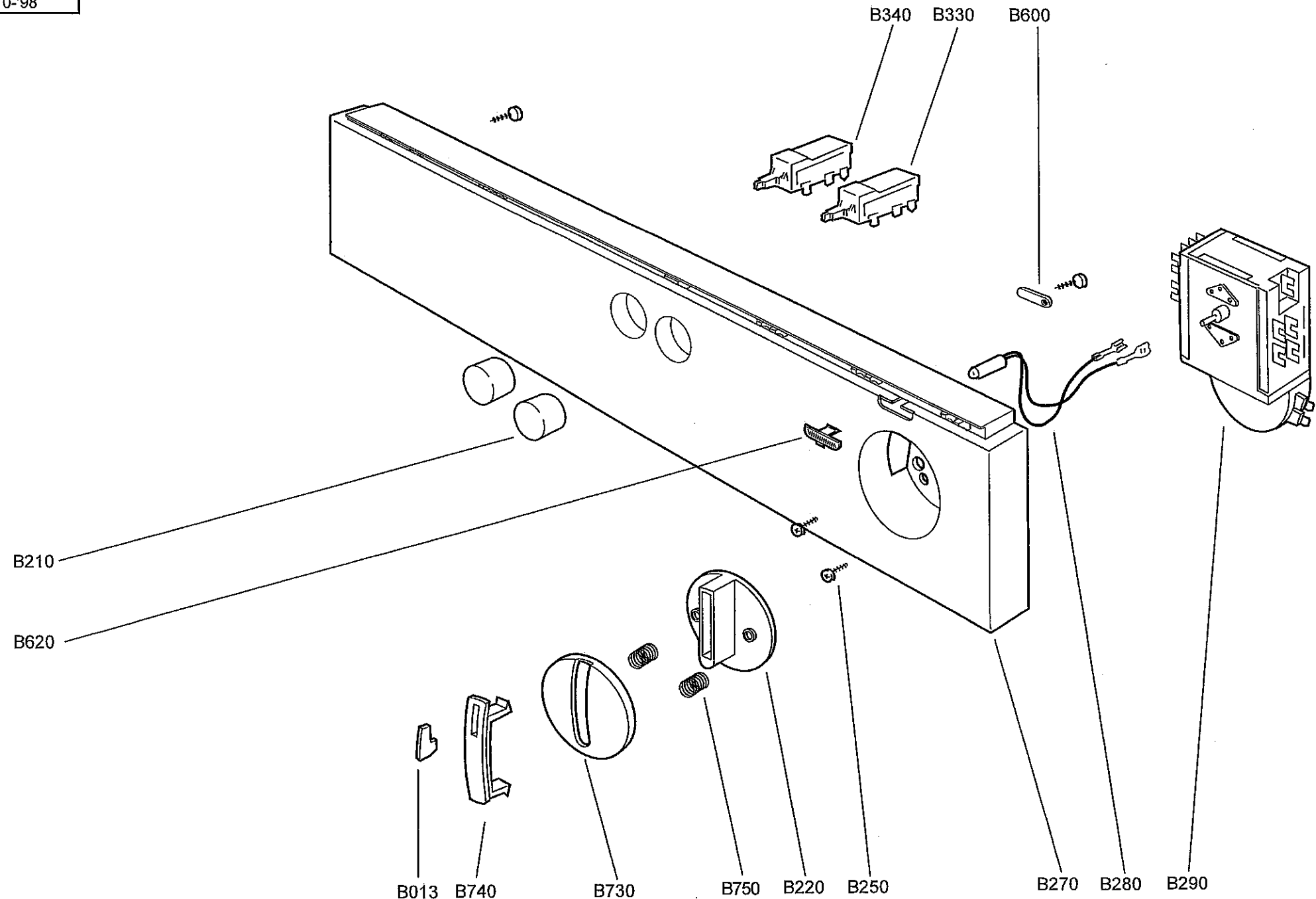


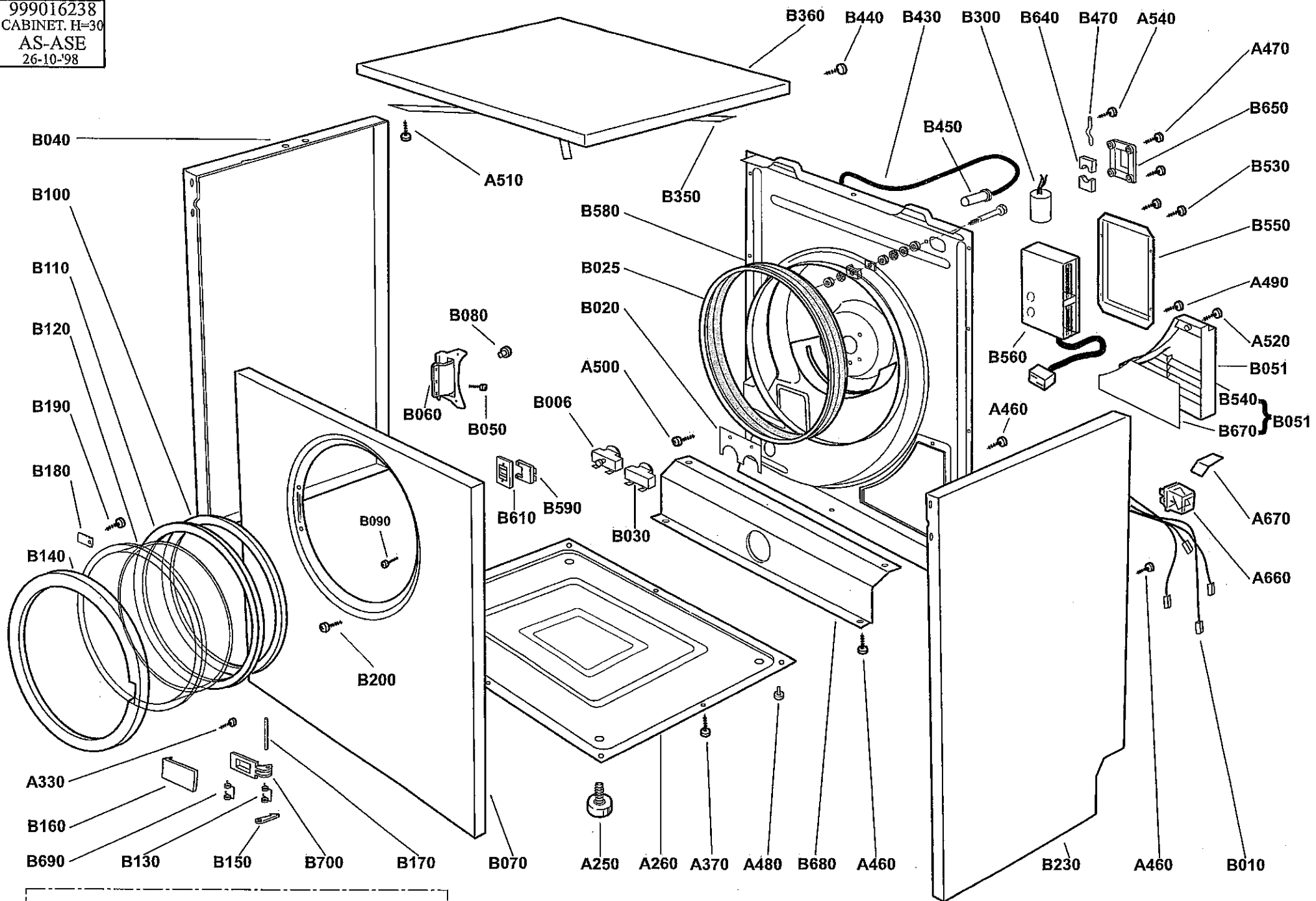
999016239
DRYING GROUP
AS
27-06-'02



999016259
FRONTAL.Y 2P 1L
AS-ASE
26-10-'98



999016238
 CABINET, H=30
 AS-ASE
 26-10-98



B710= { B 130 - B 150 - B 160 - B 170 - B 690 - B 700 }

999046305
CABINET. AC
AS-ASE
12-06-2006

