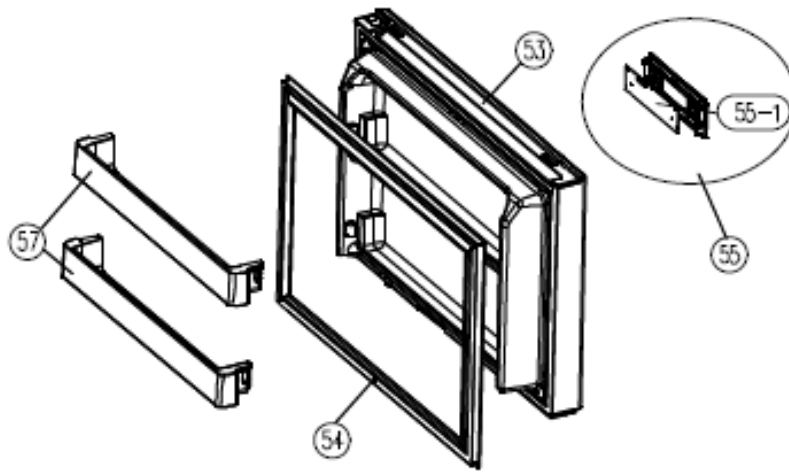
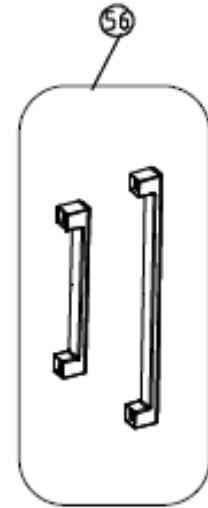
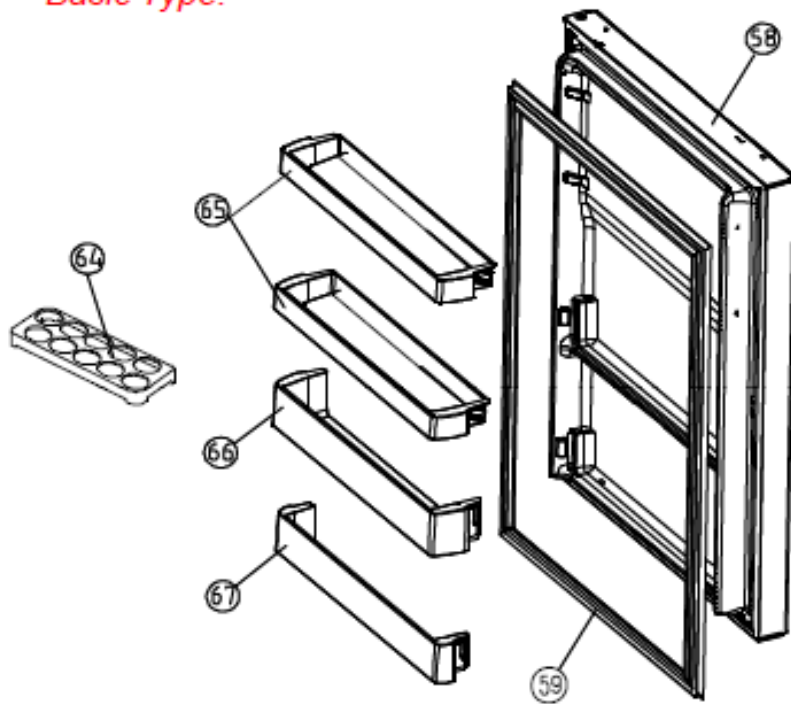


F-DOOR



R-DOOR

Basic Type.



651/653..Model Only.

Dispenser Type.

