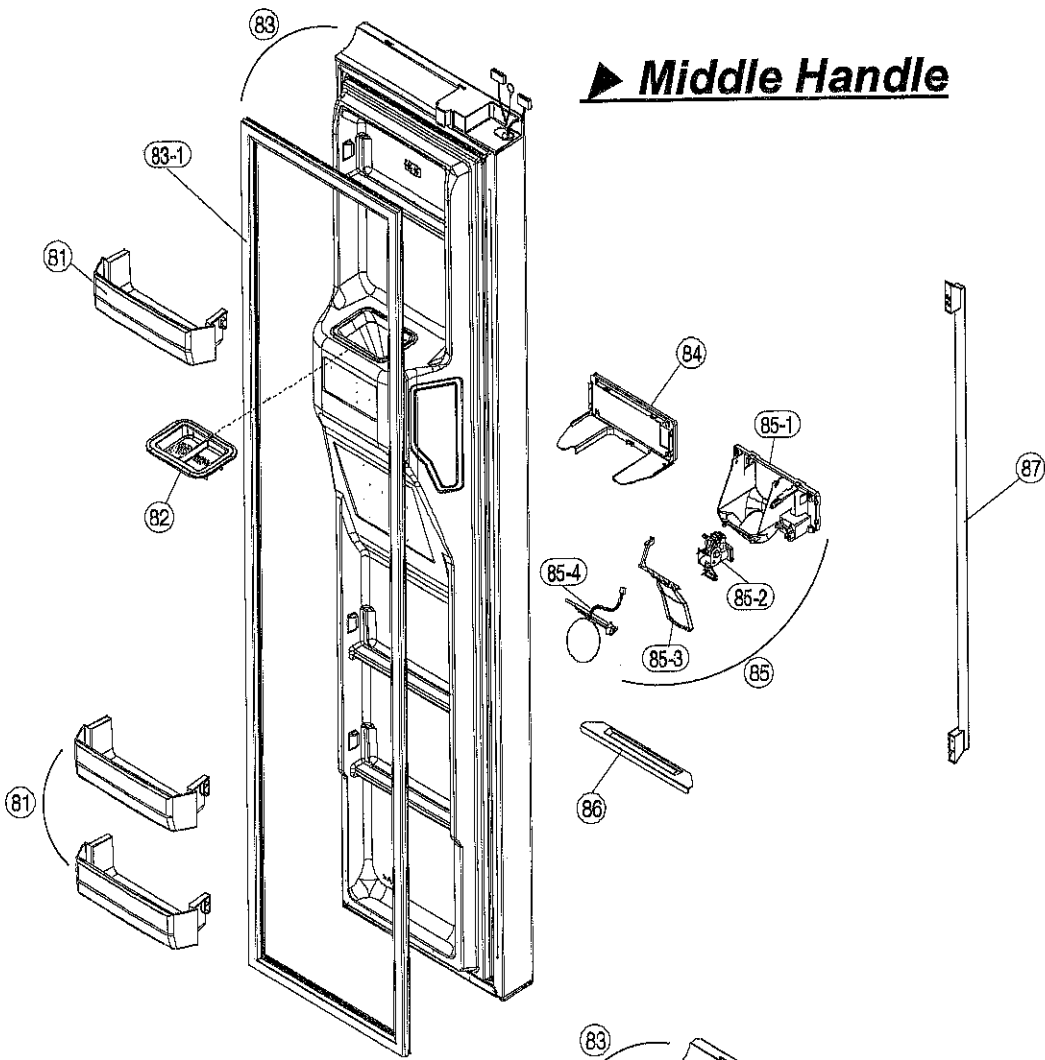
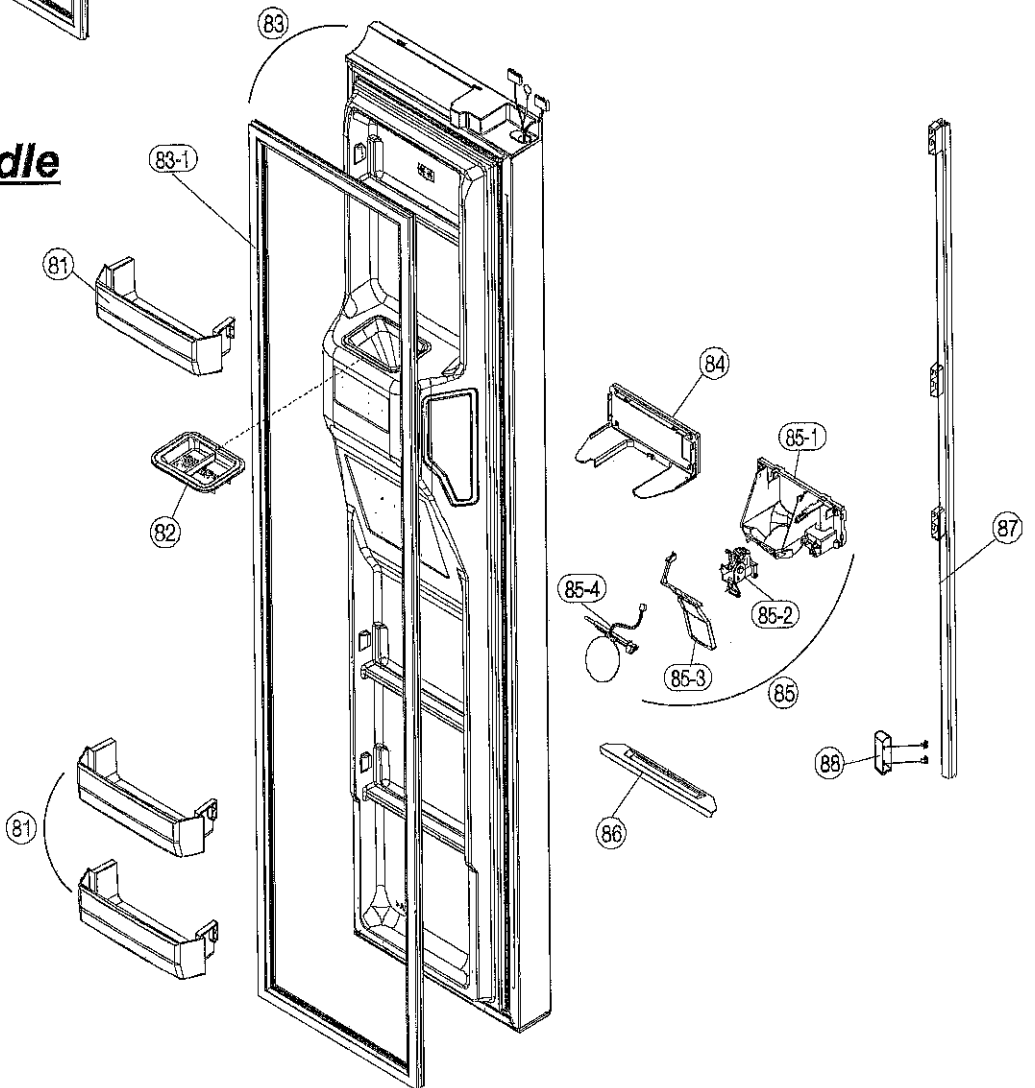
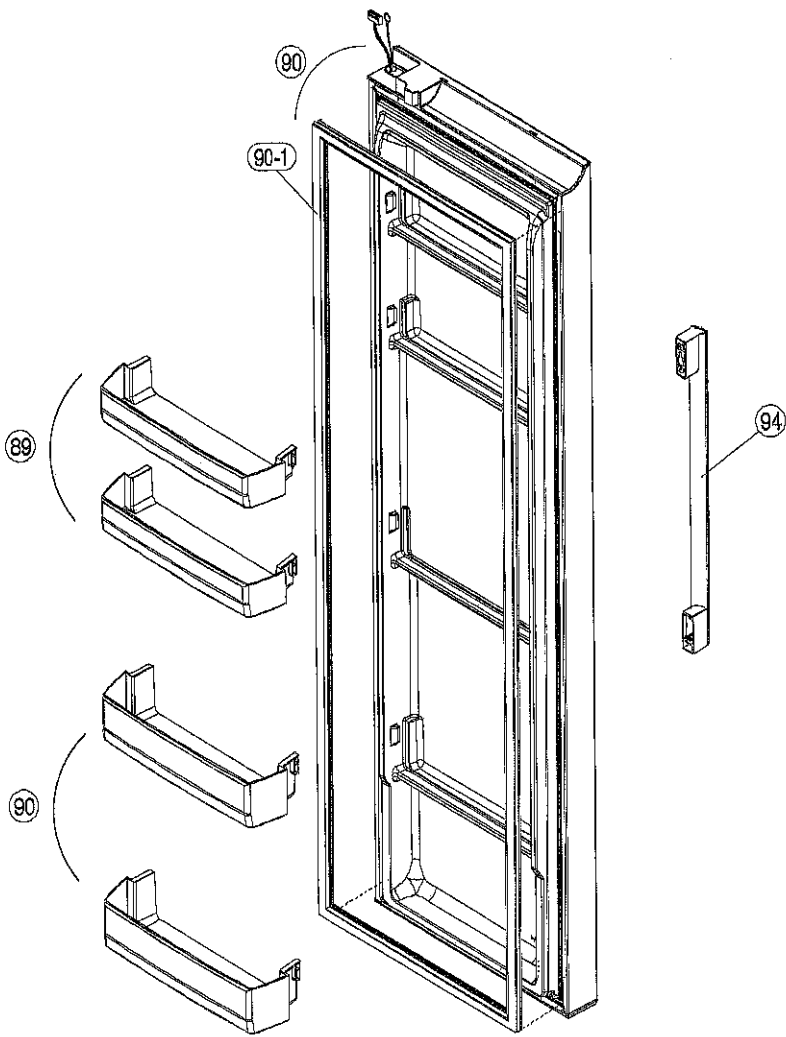


► **Middle Handle**

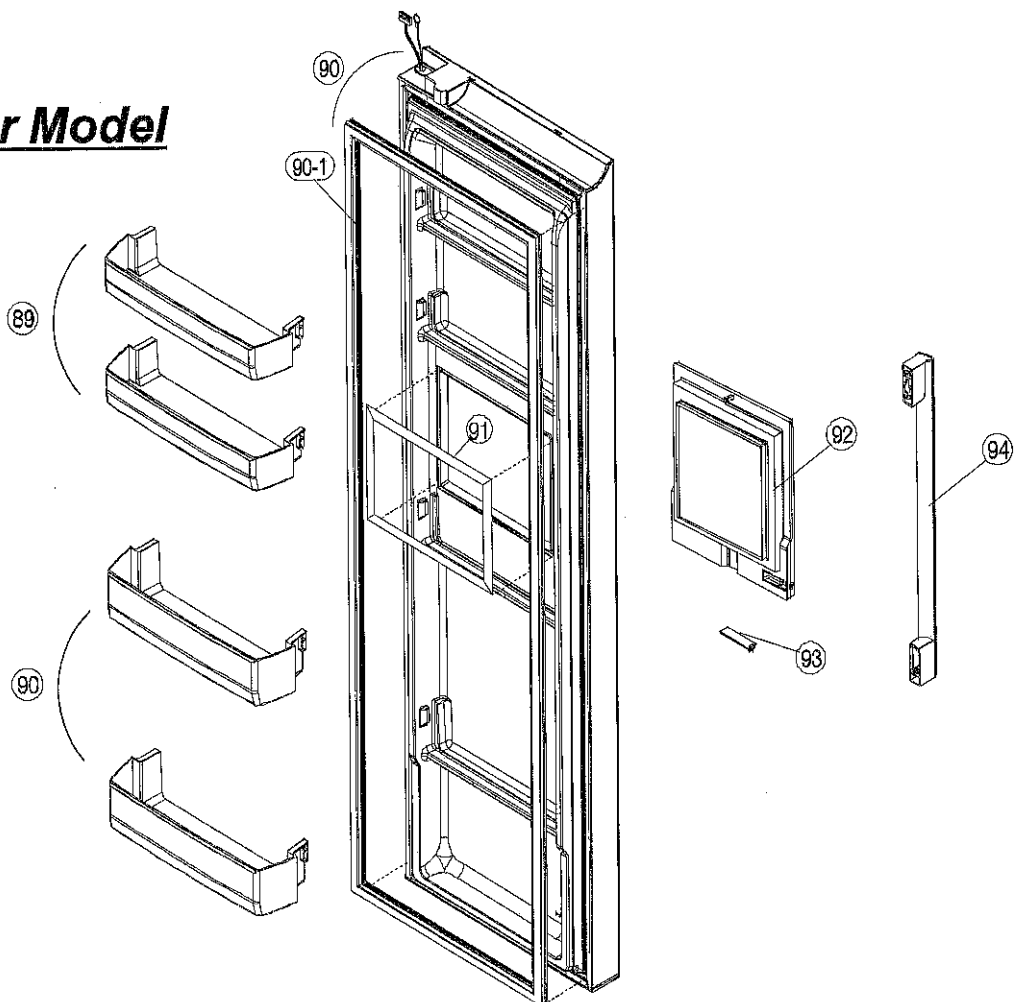


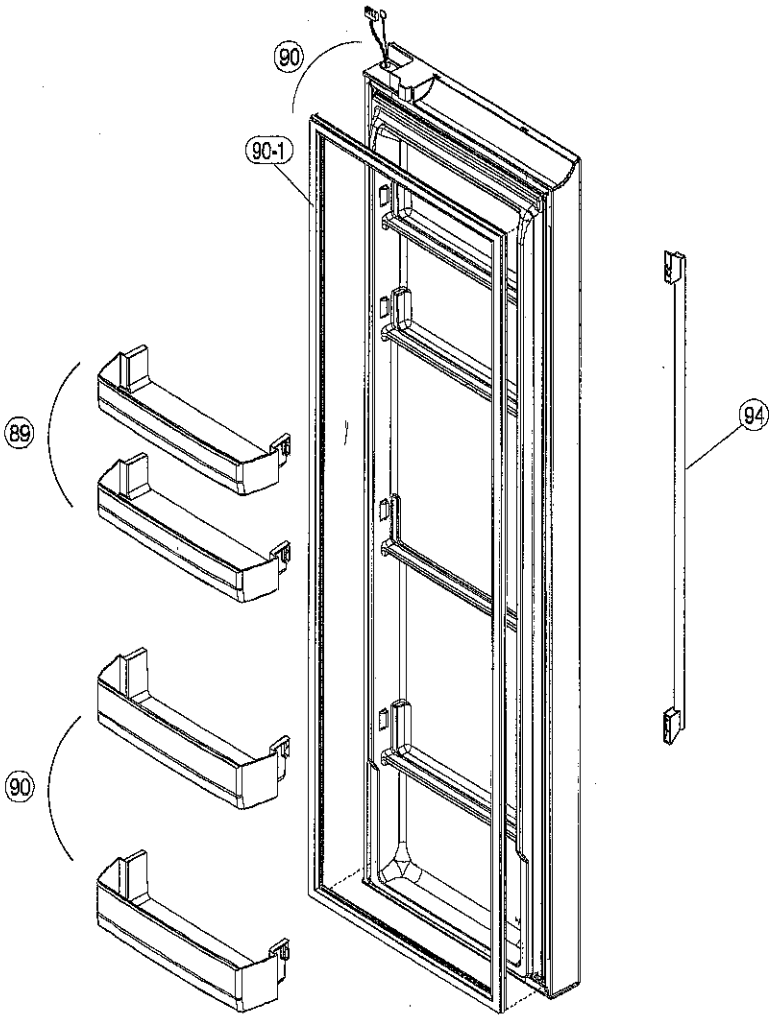
► **Long Handle**



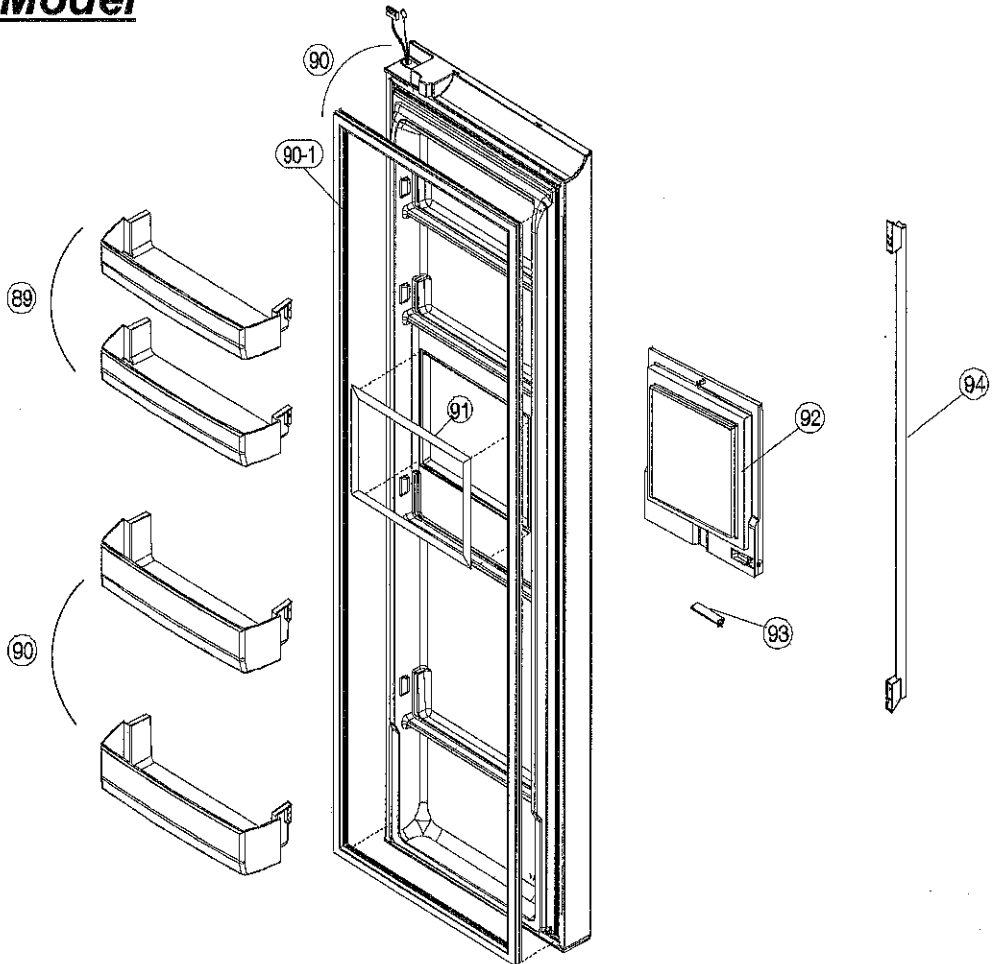


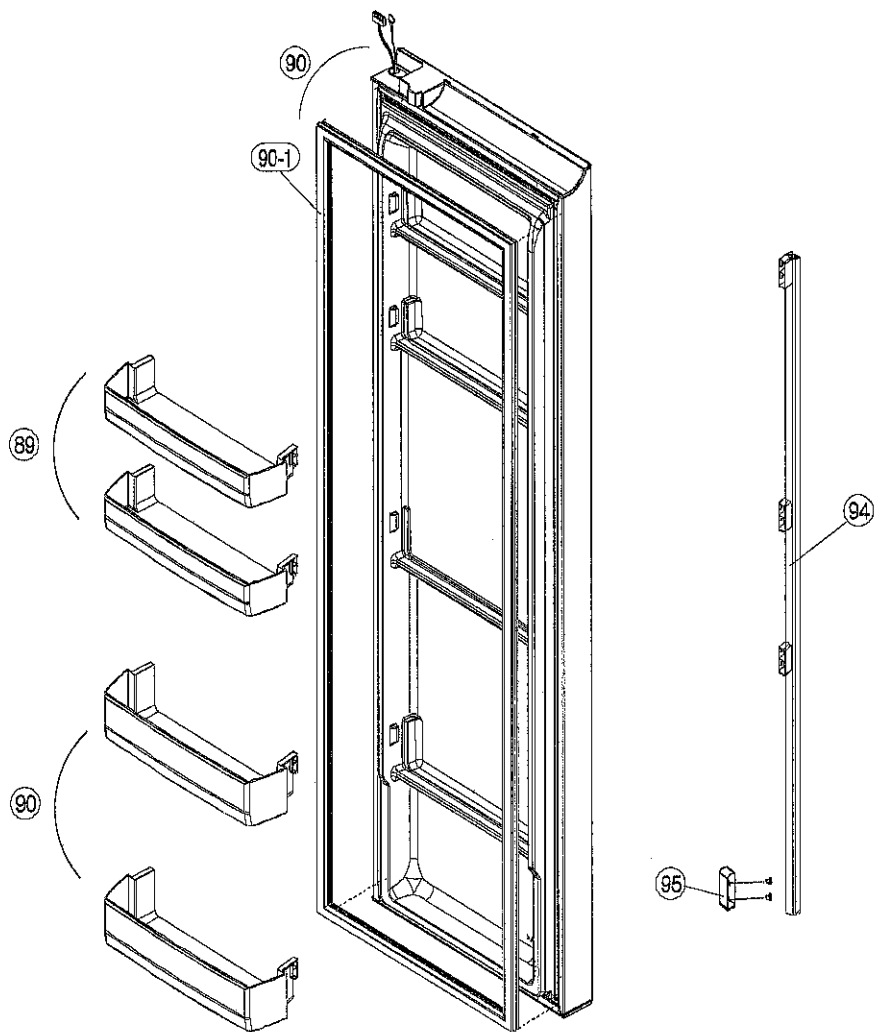
► H/bar Model





▶ H/bar Model





▶ H/bar Model

