

100

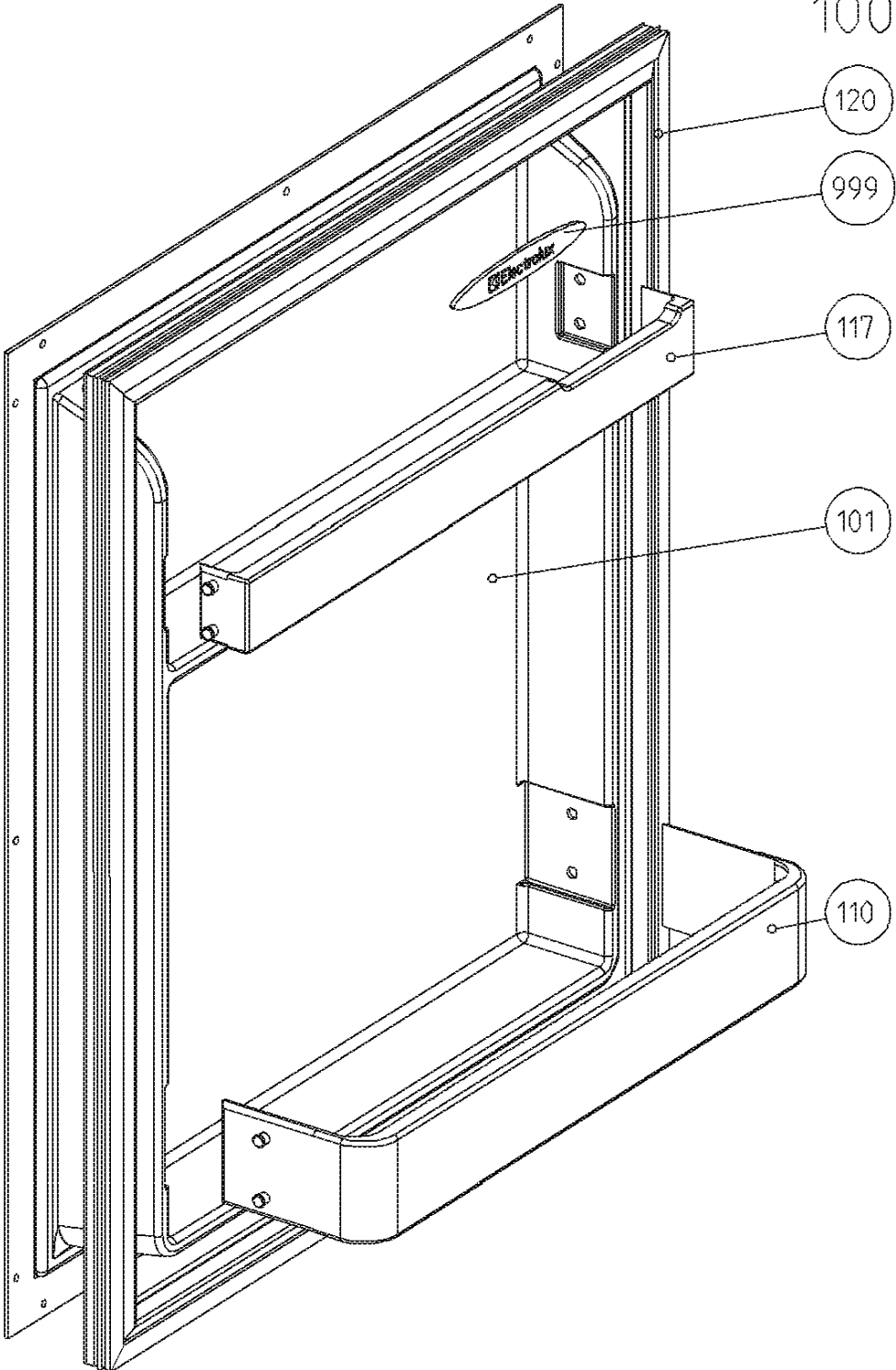
120

999

117

101

110



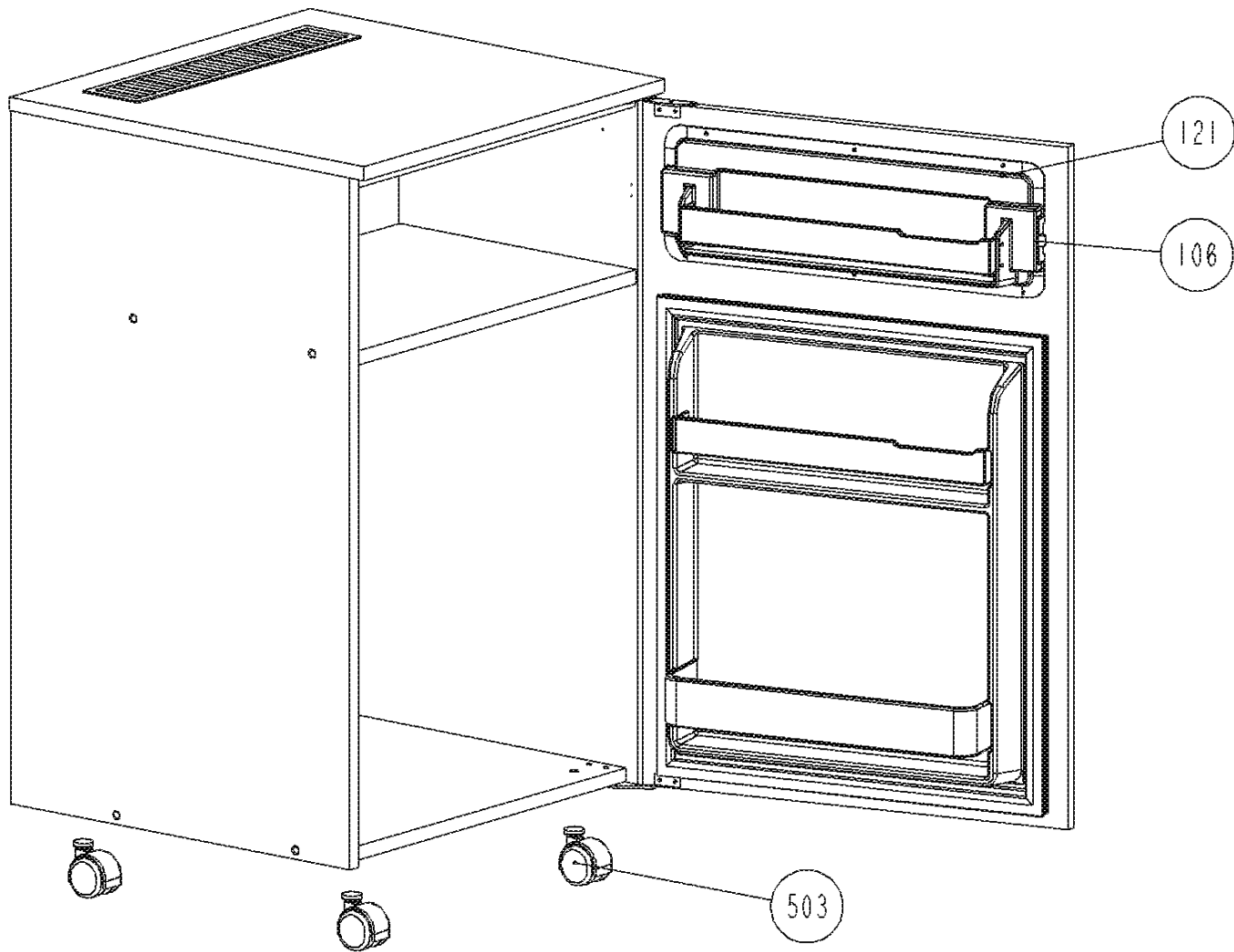
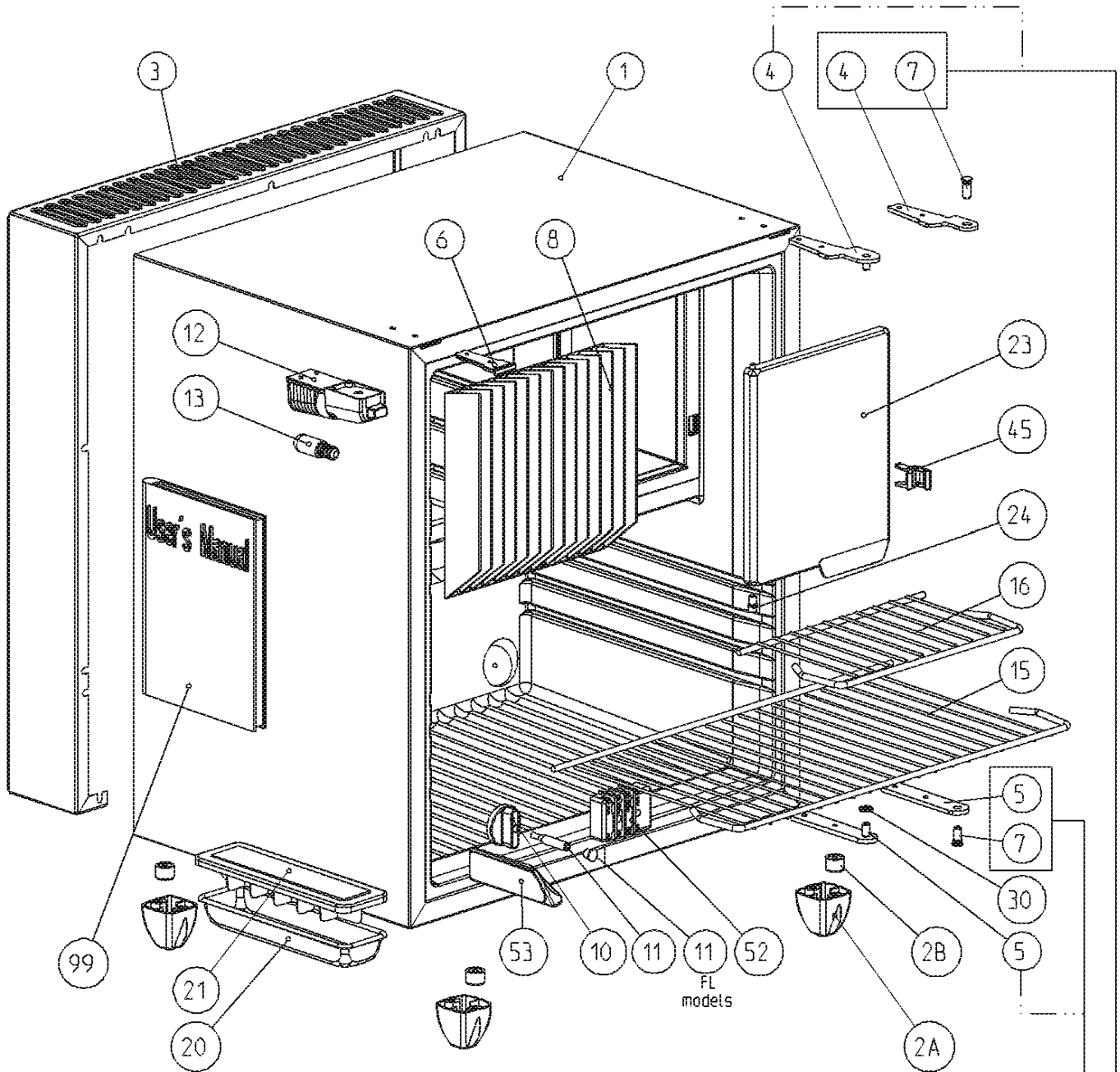


FIG. 1. Exploded view of the refrigerator.



In some appliances
it is 2 different parts!