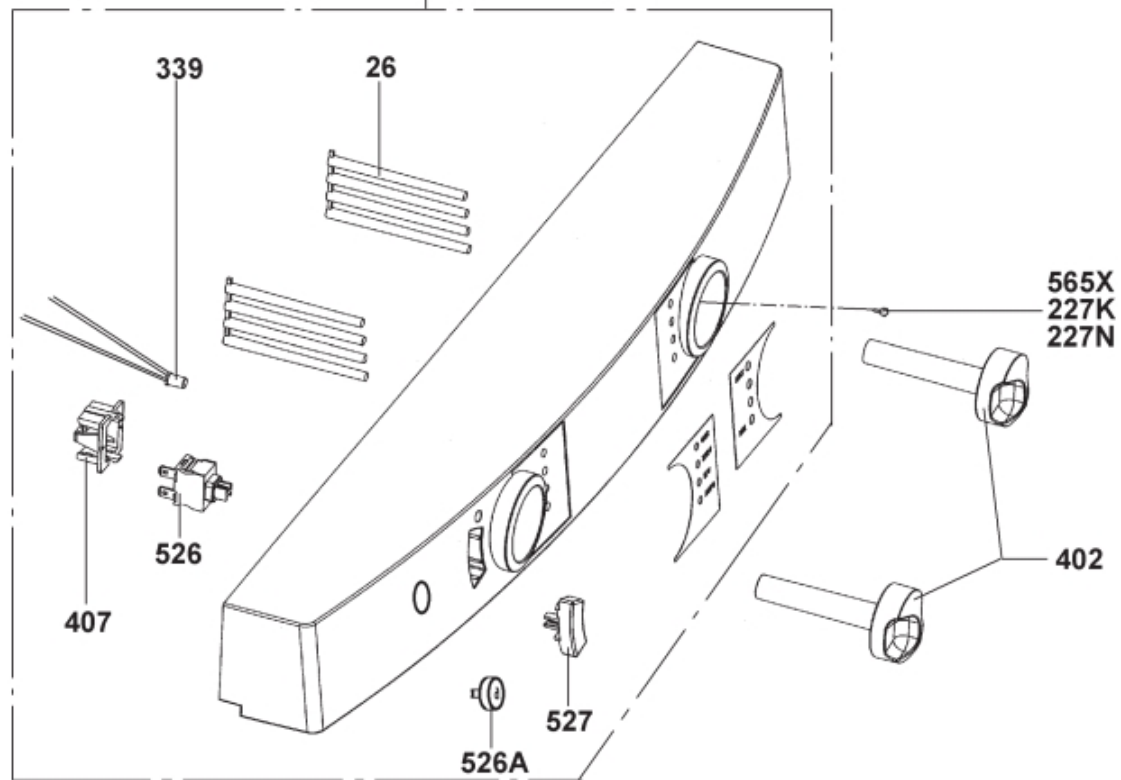
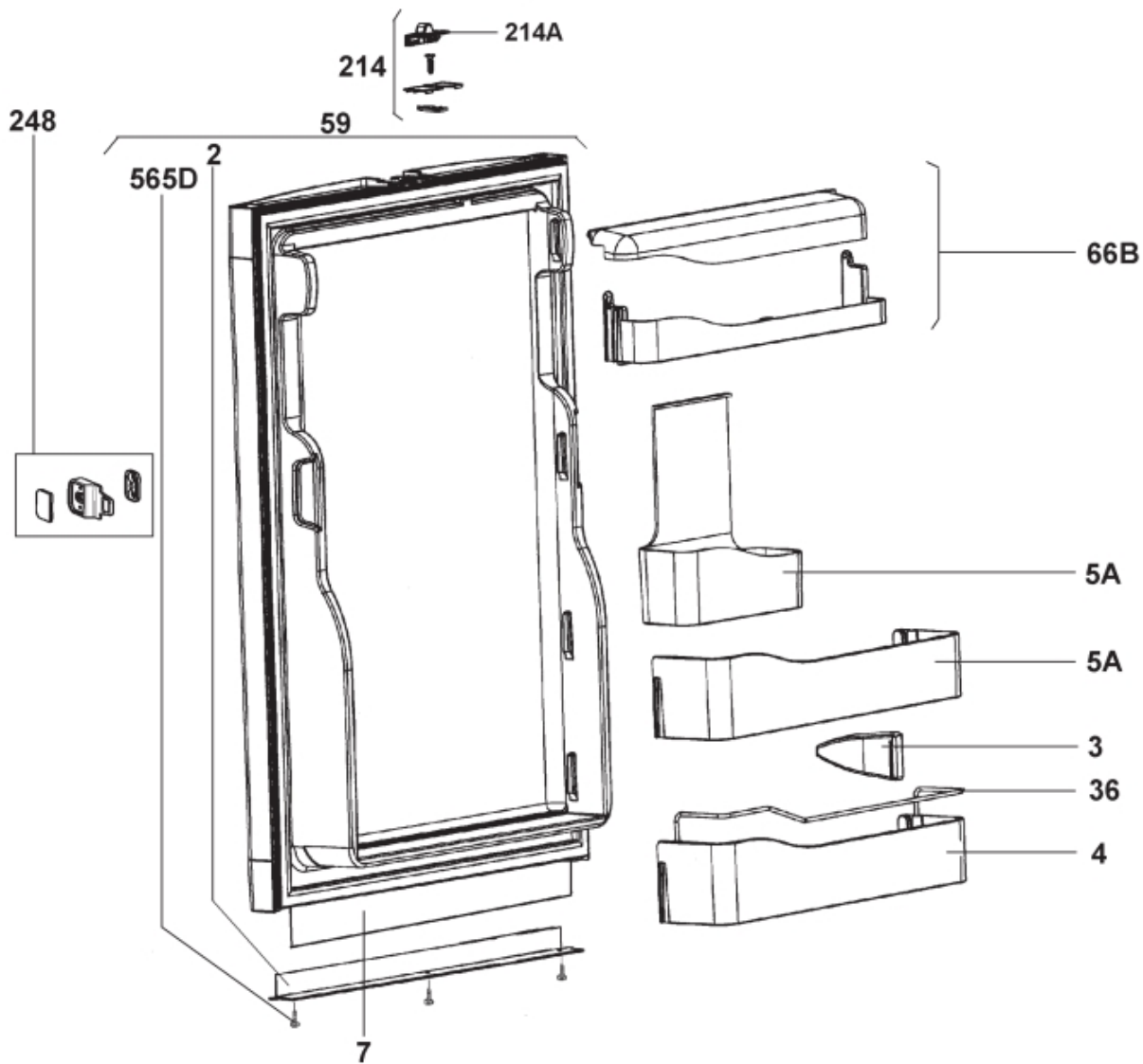
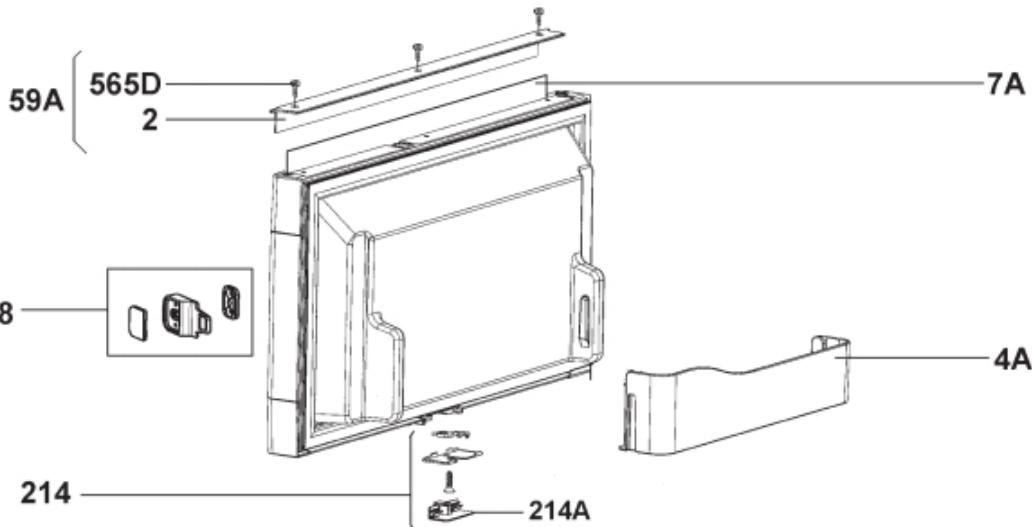
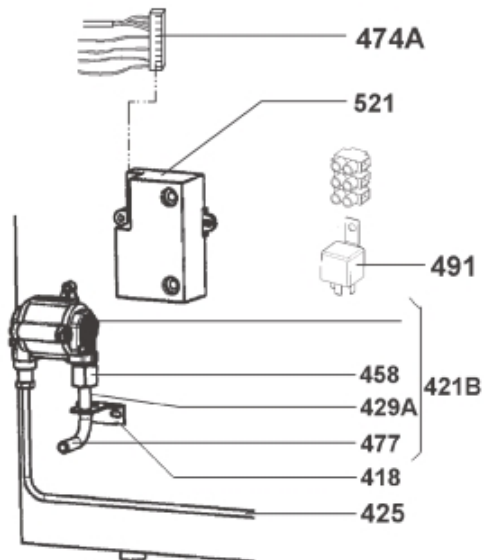
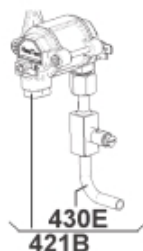
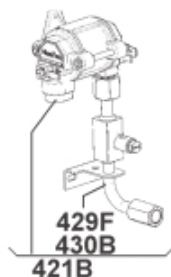
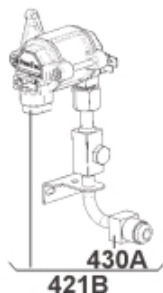
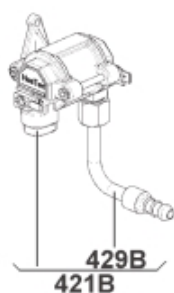
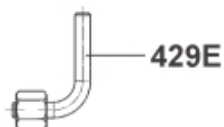
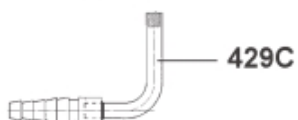
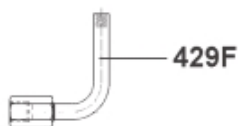
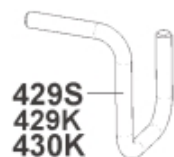


401





**GASARMATUR
GAS EQUIPMENT**



**ELEKTROARMATUR
ELECTRO EQUIPMENT**

