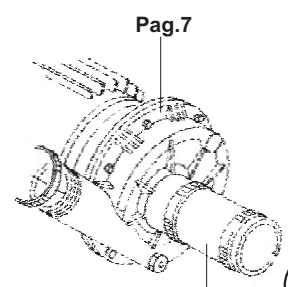
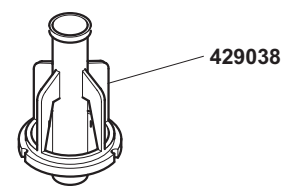
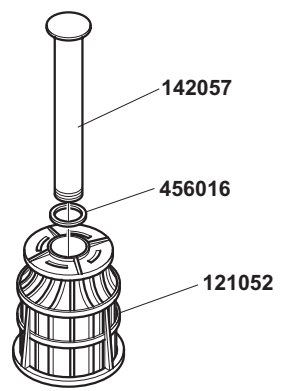
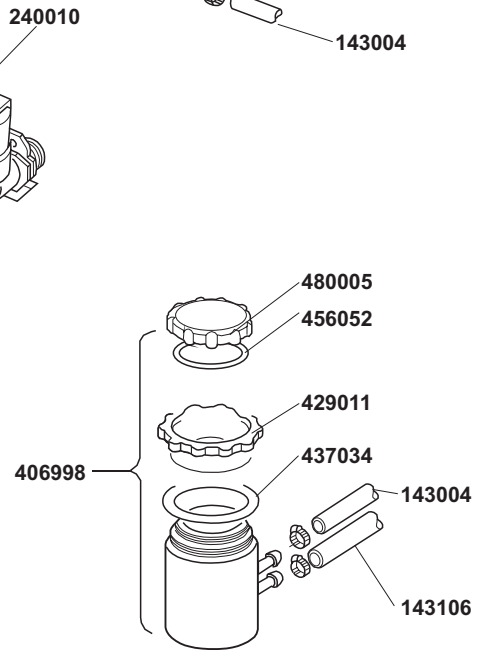
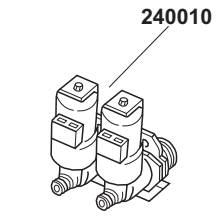
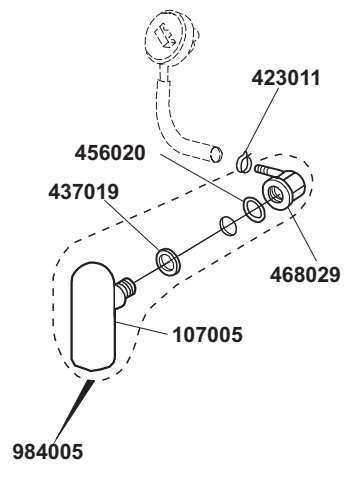
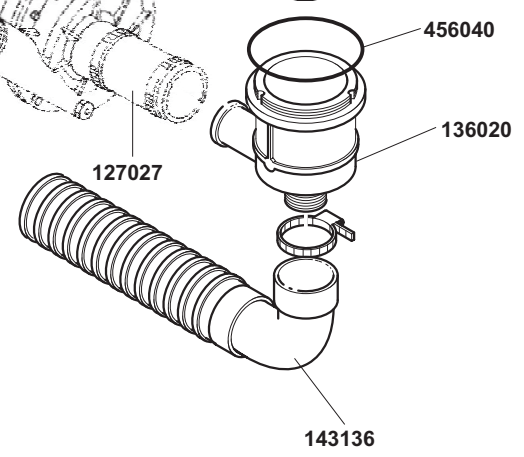
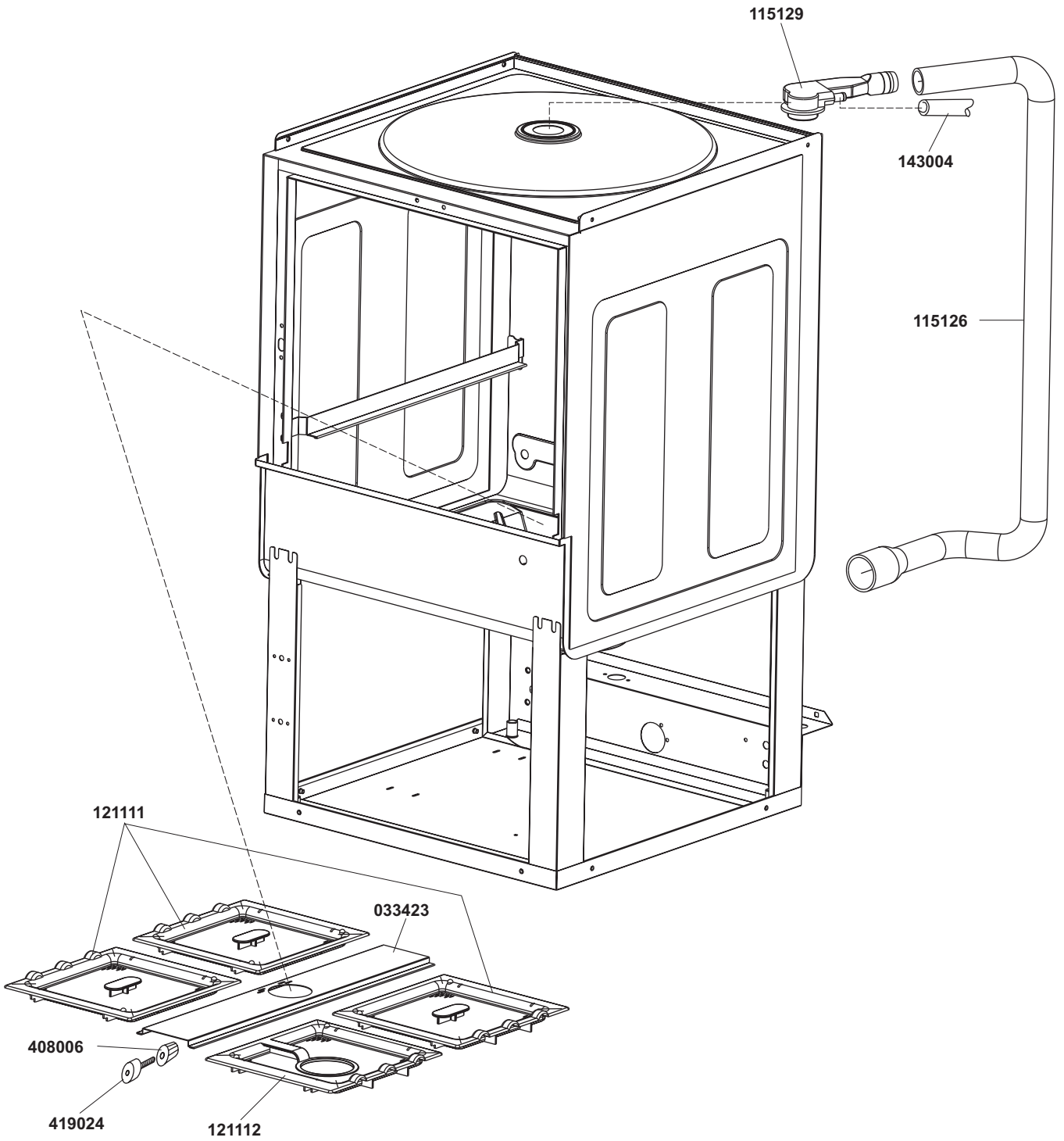


*Pompa ausiliaria
*Rinse booster pump

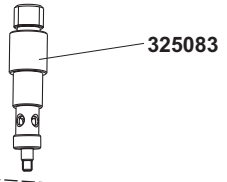


Pag.7

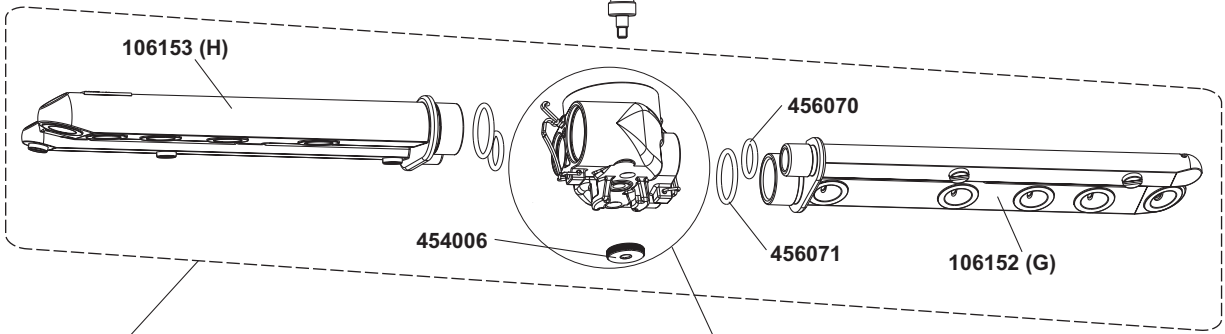




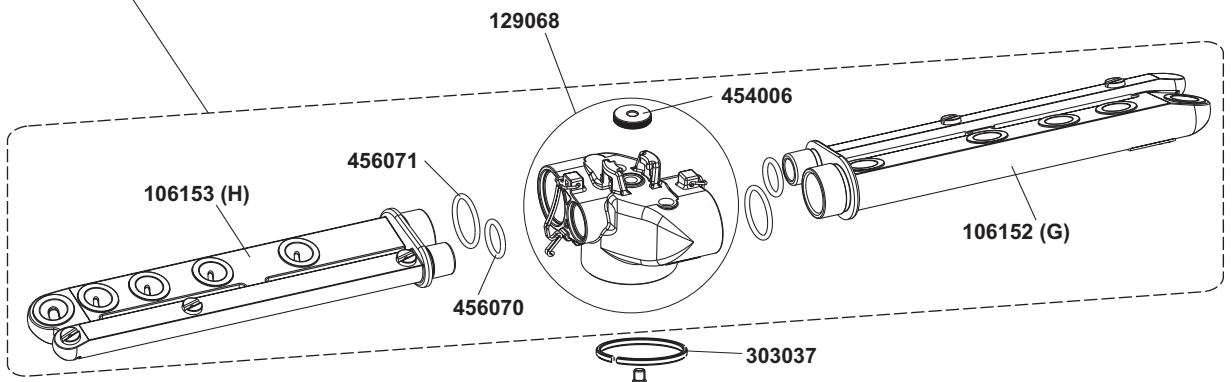
- H.172986-19
- 429069
- 303037



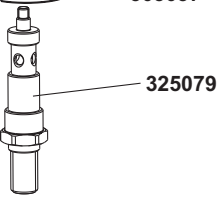
325083



990113

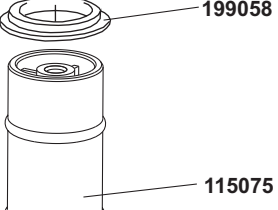


- 303037

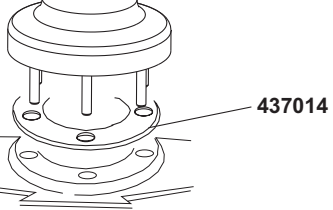


325079

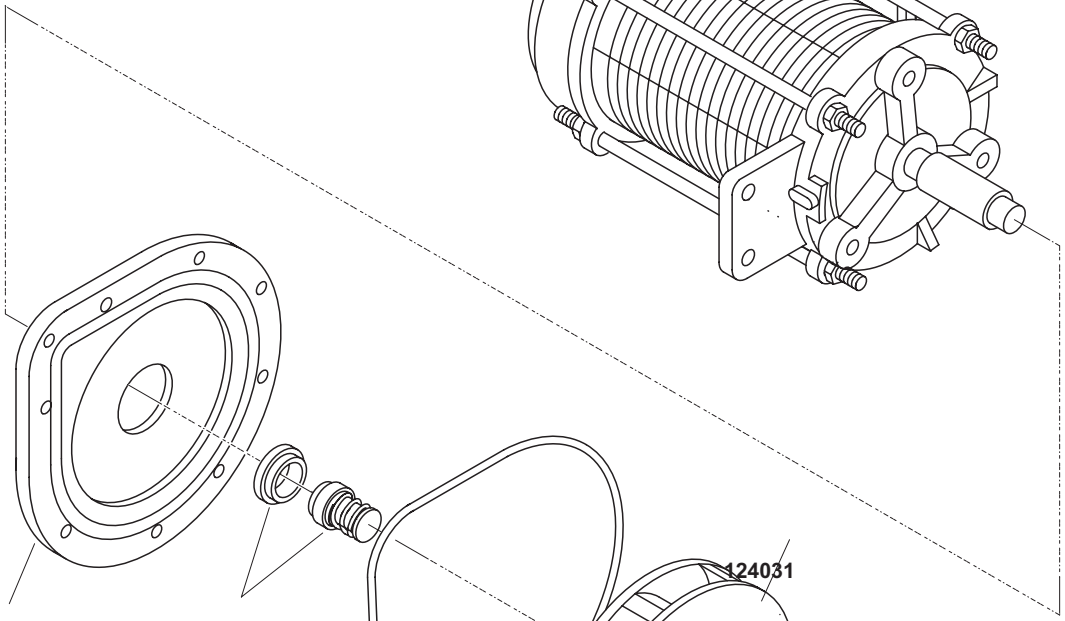
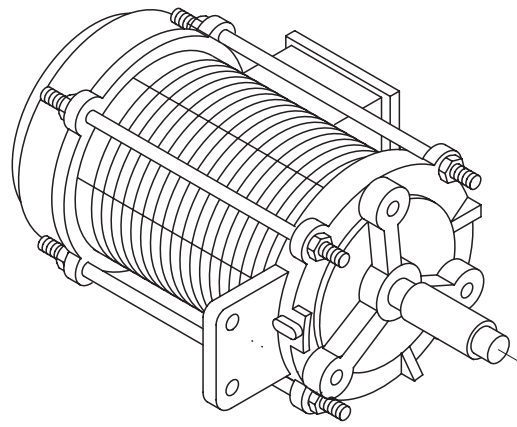
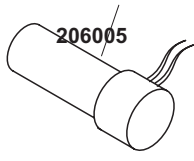
- 199058



115075



437014



315011

926255

456031

124031

116013