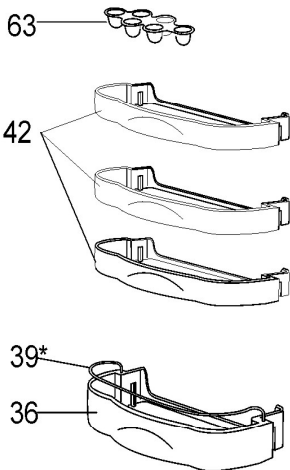
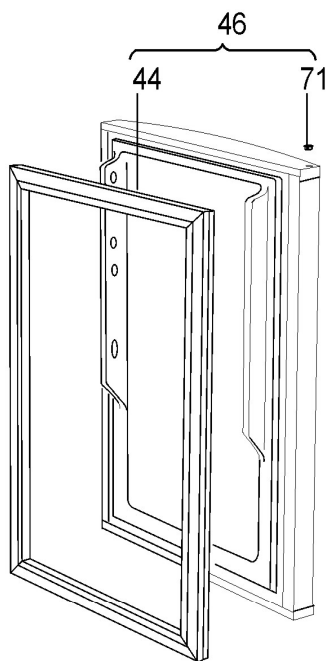
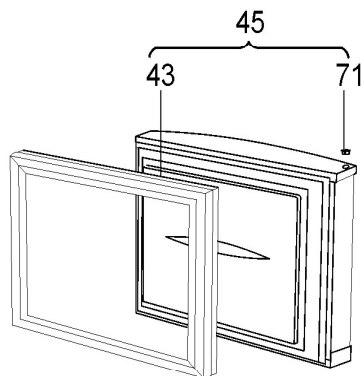
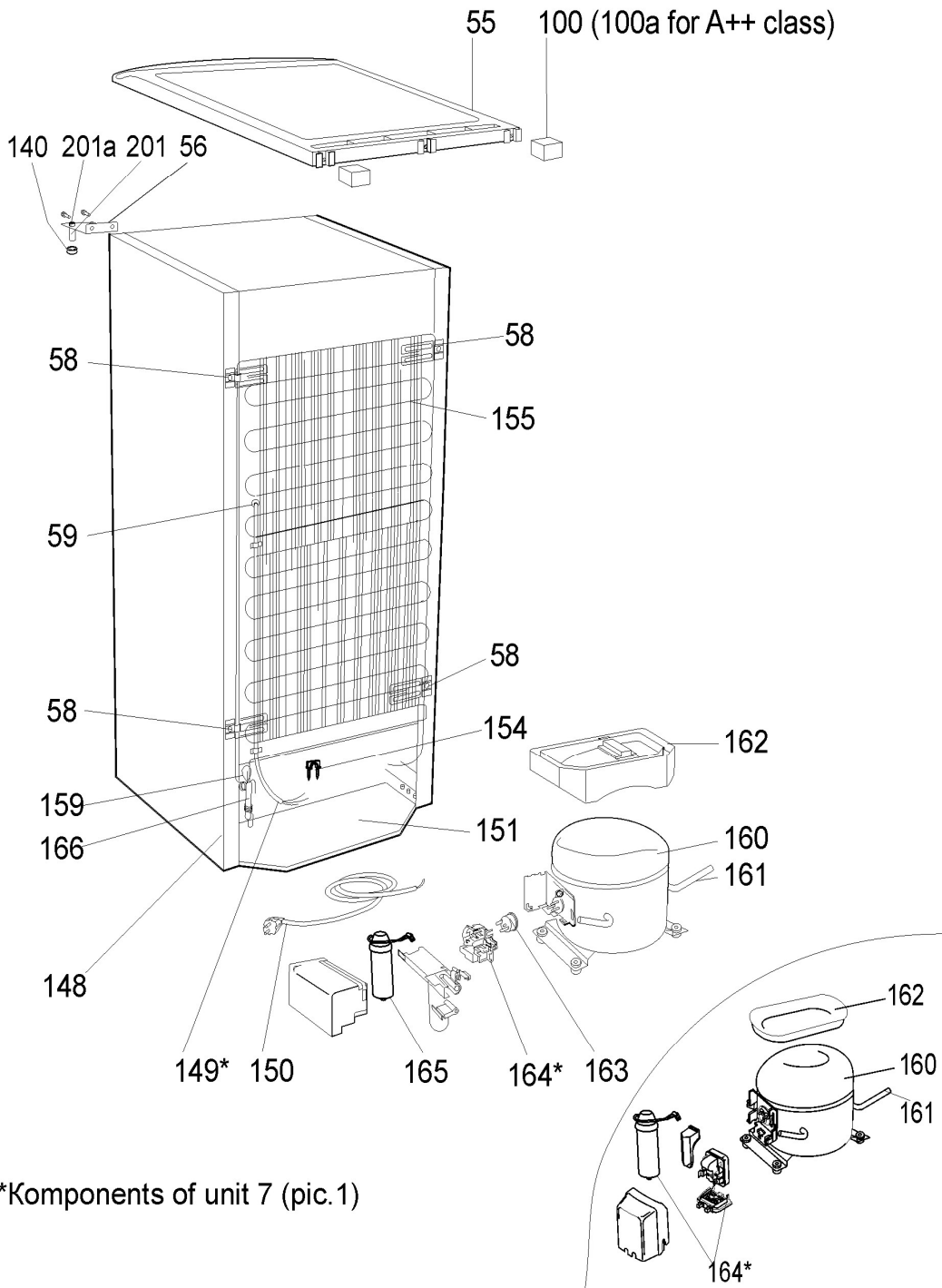


*If applicable



*If applicable



*Komponents of unit 7 (pic.1)