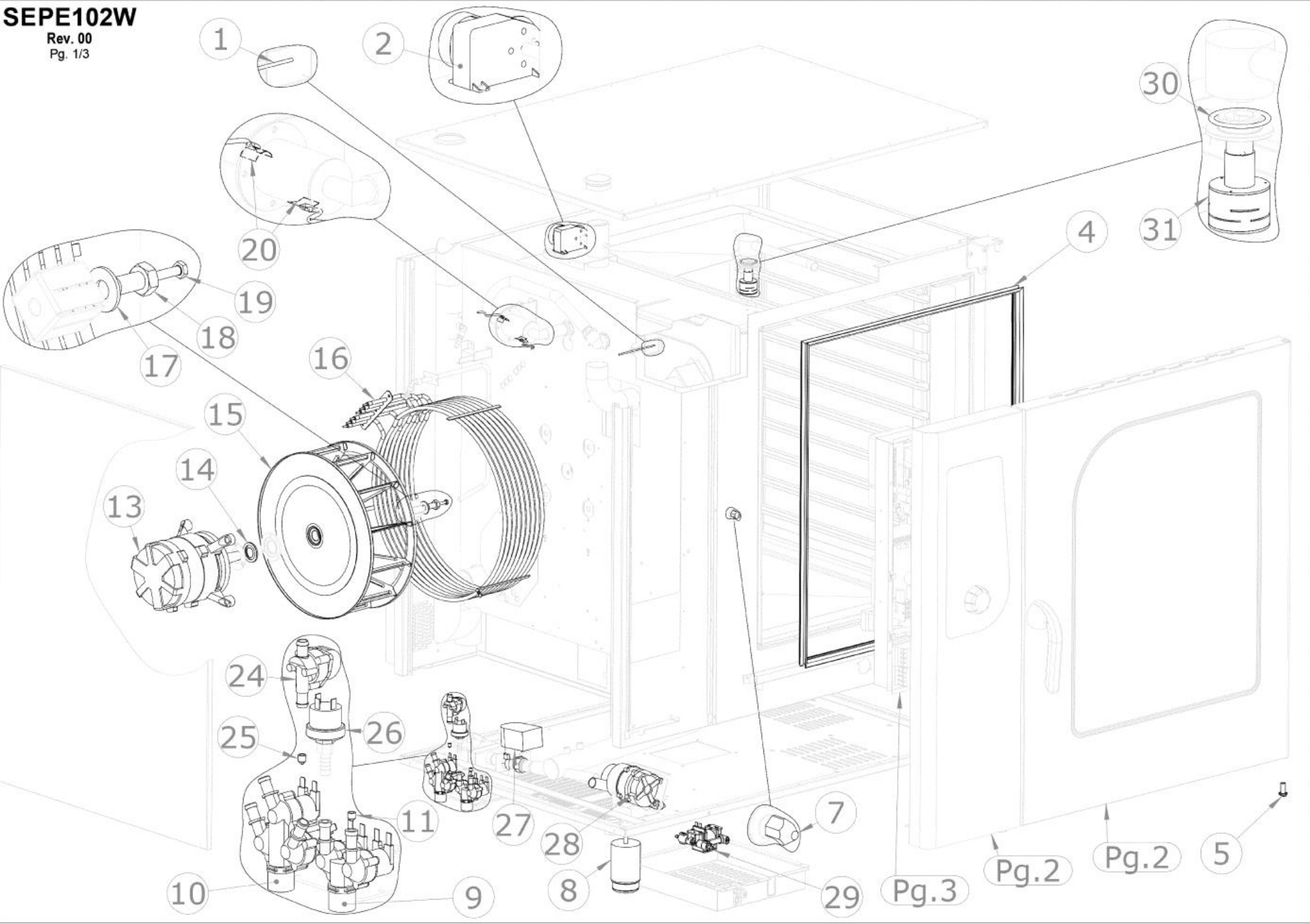


SEPE102W

Rev. 00
Pg. 1/3



1

2

30

20

3

4

31

17

18

19

16

15

14

13

24

25

26

11

27

28

10

9

8

6

7

Pg.3

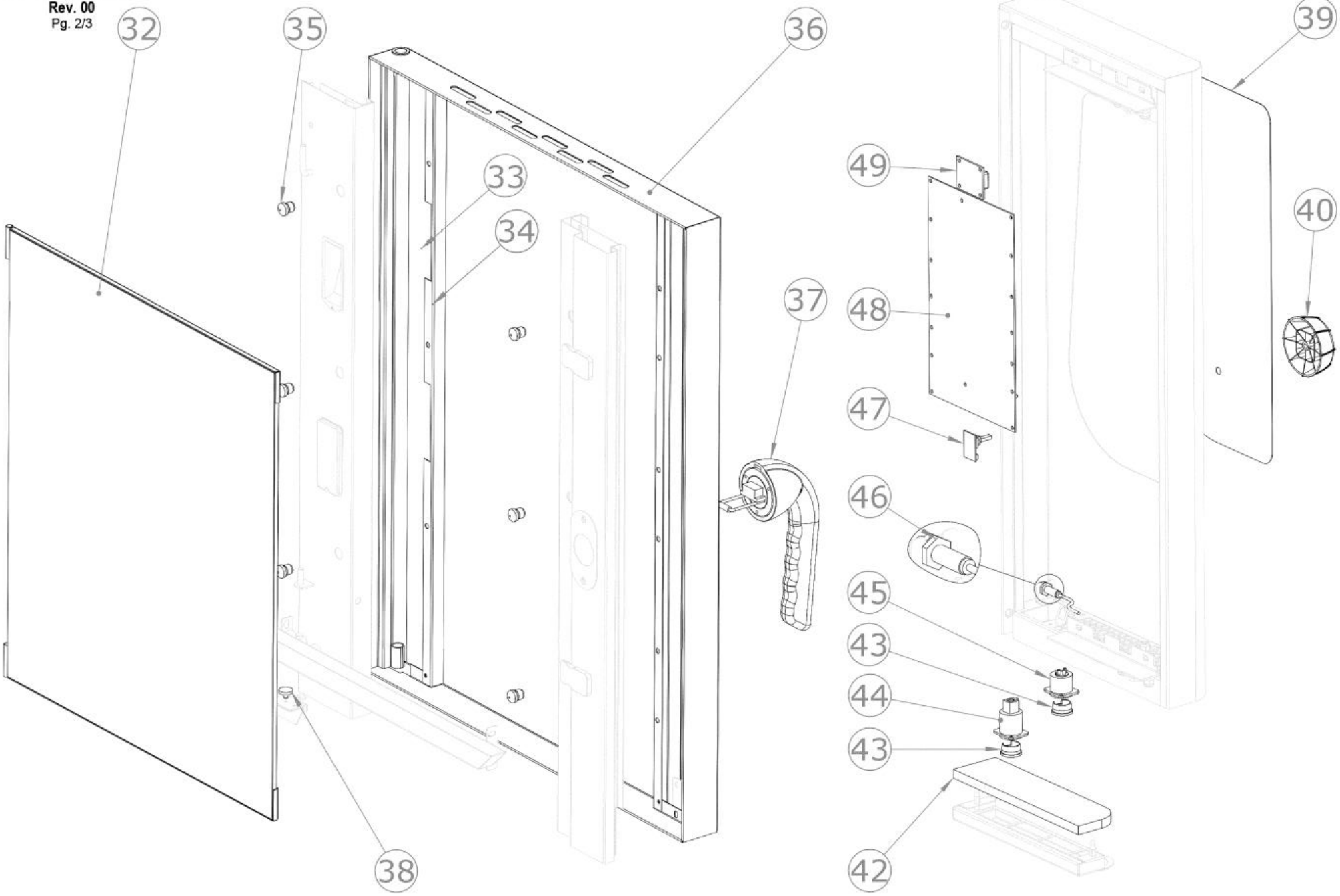
Pg.2

Pg.2

5

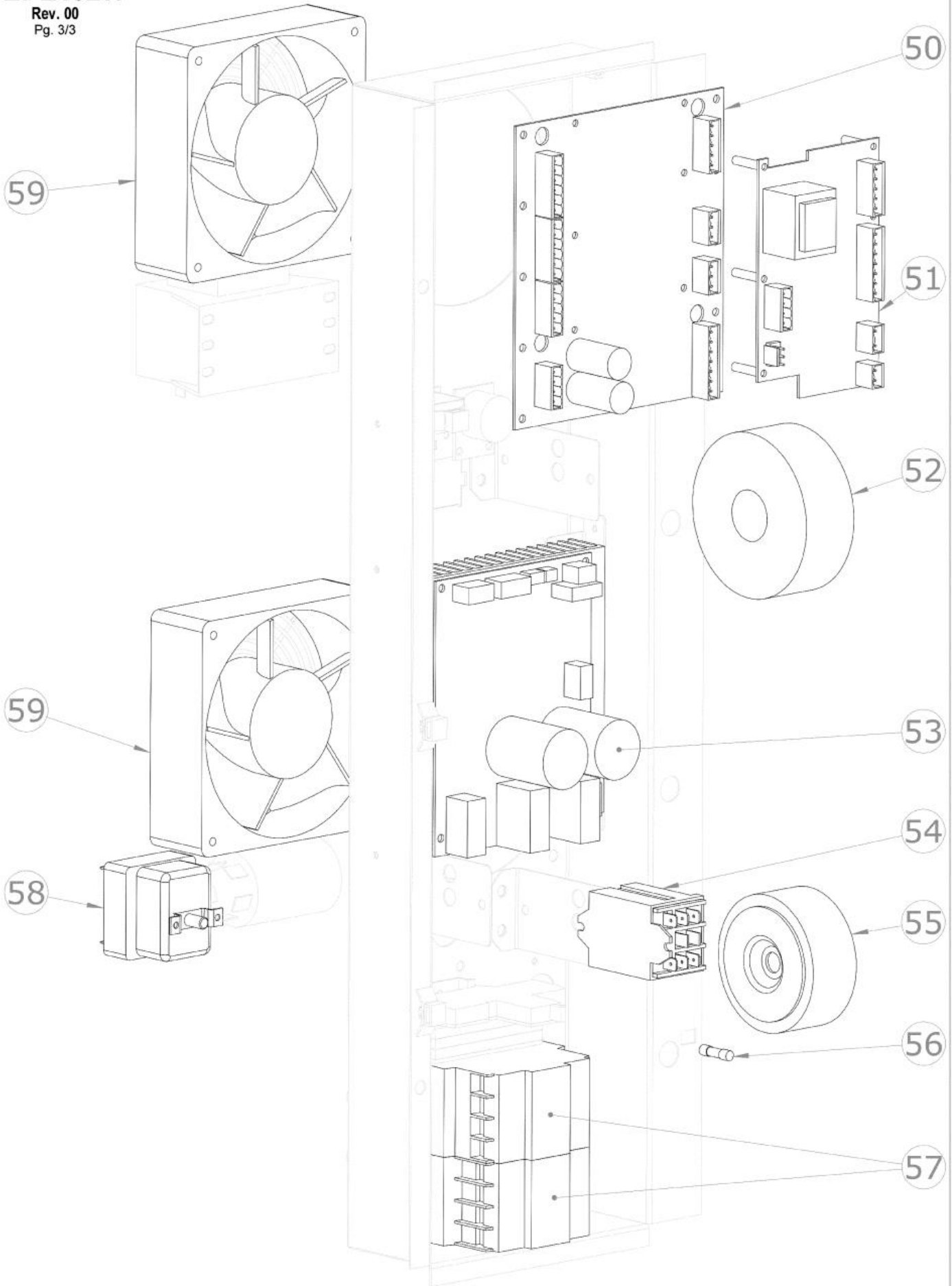
SEPE102W

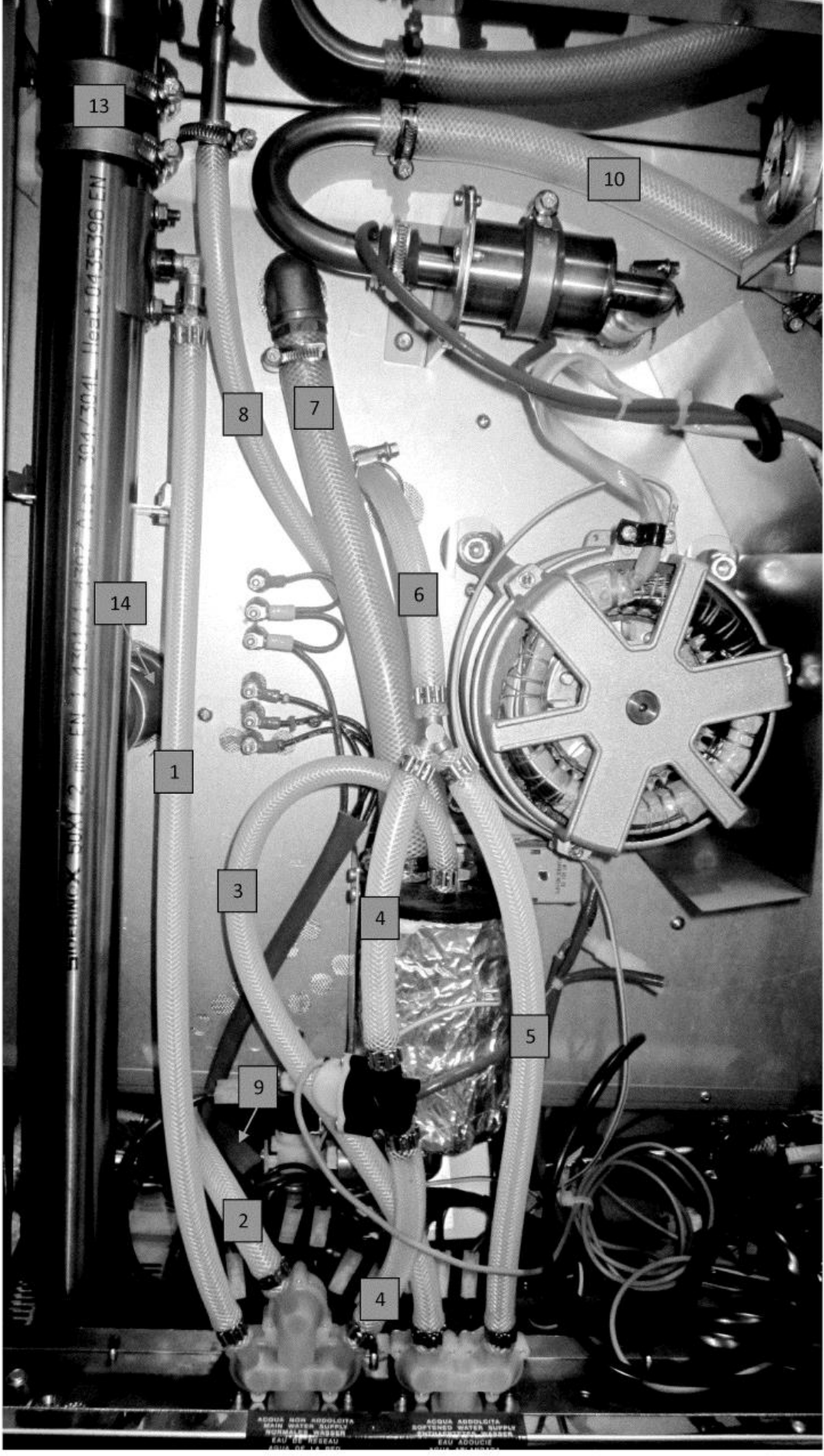
Rev. 00
Pg. 2/3



SEPE102W

Rev. 00
Pg. 3/3





13

10

8

7

14

6

1

3

4

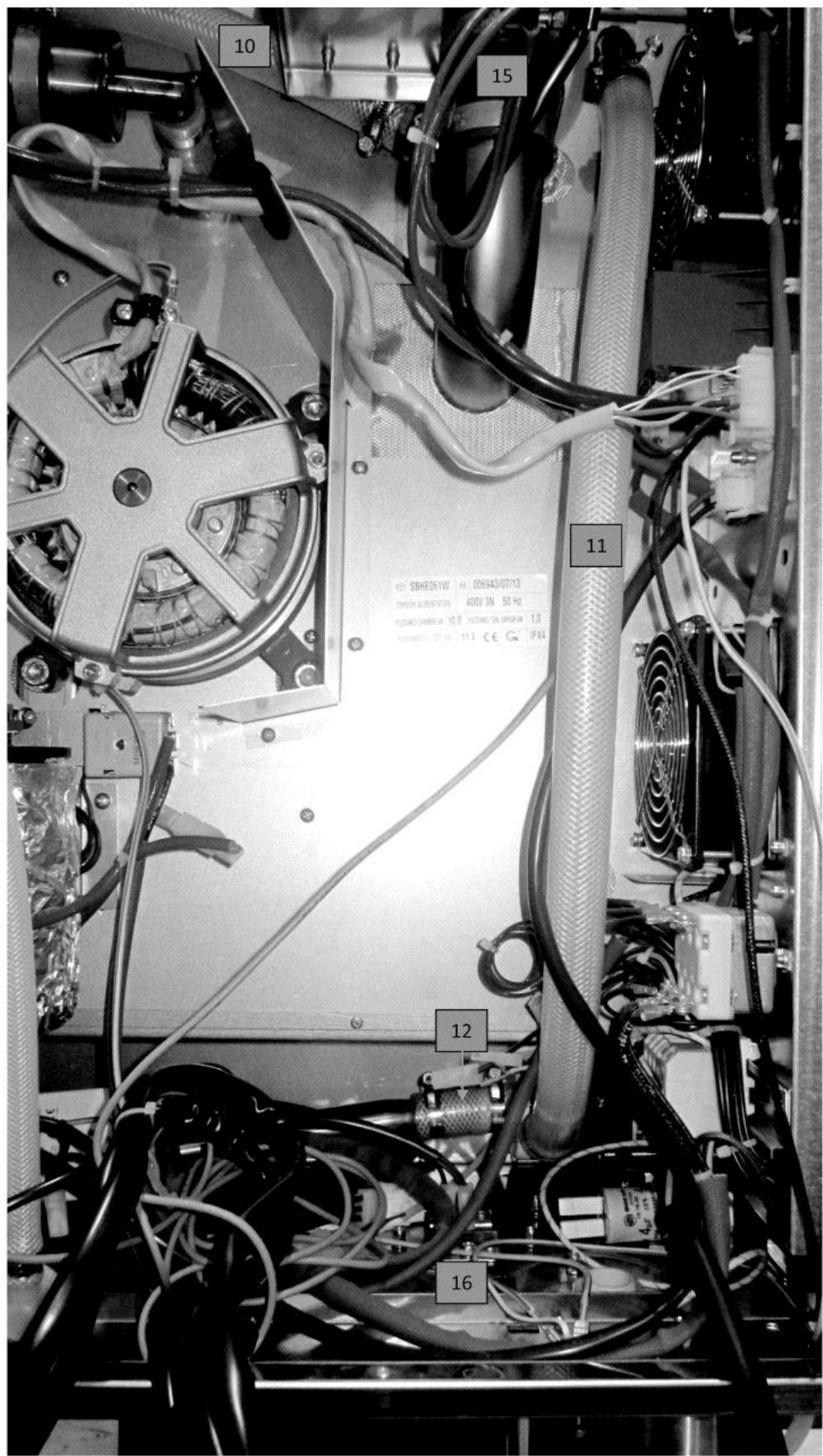
5

9

2

4

ACQUA NON ADDOLCITA
MAIN WATER SUPPLY
ROVINGIADA WASSER
EAU DE RESEAU
ACQUA ADDOLCITA
SOFTENED WATER SUPPLY
SICHADOLCADA WASSER
EAU ADUCIE
WASSER



10

15

11

12

16

REV: SBHED61W IN: 00H943/07/13
TYPICAL ALLOCATION 4000 3N 50 Hz
POTENTIAL TRANSFORMER 10.0 POTENTIAL ON SUPPLY 1.0
POTENTIAL ON SUPPLY 114 CE G IP11

