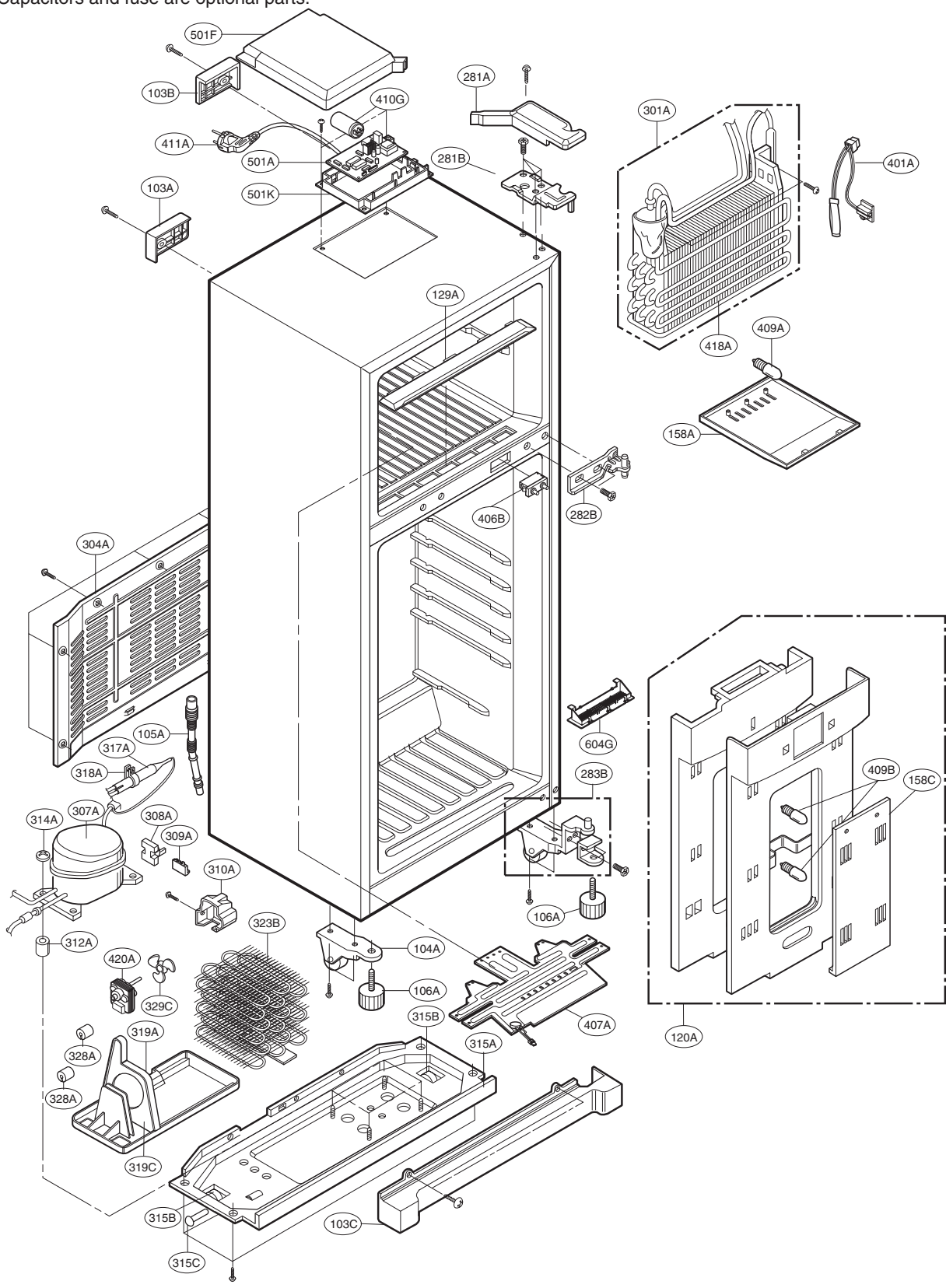
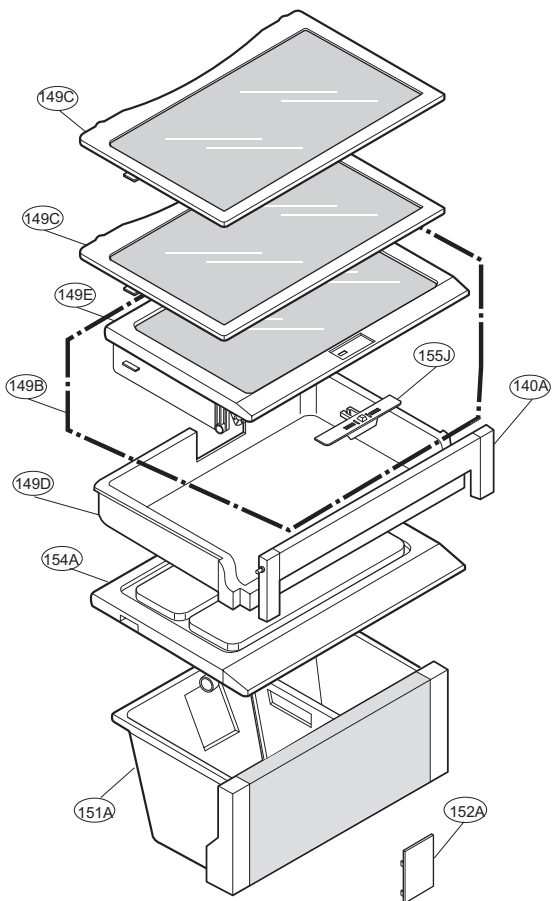
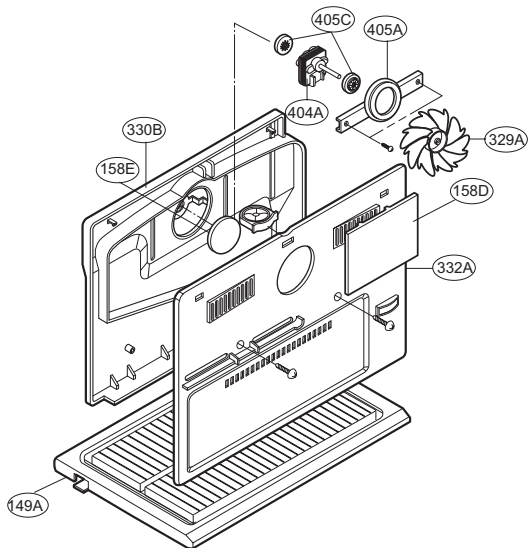
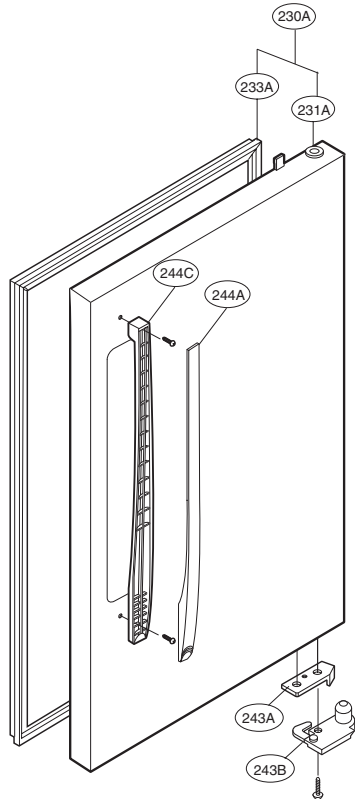
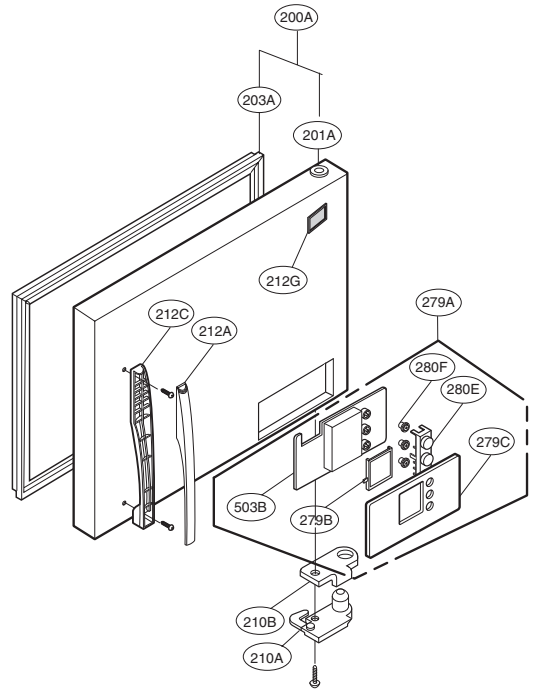
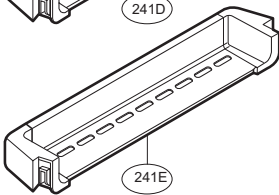
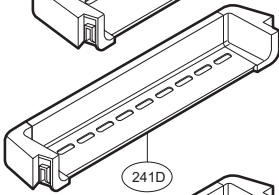
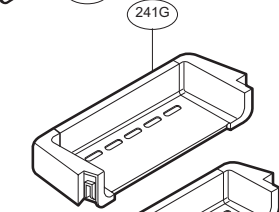
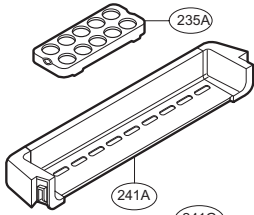
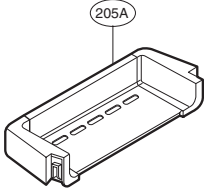
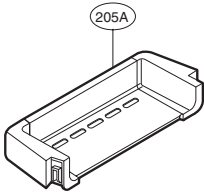
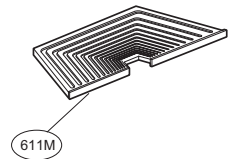
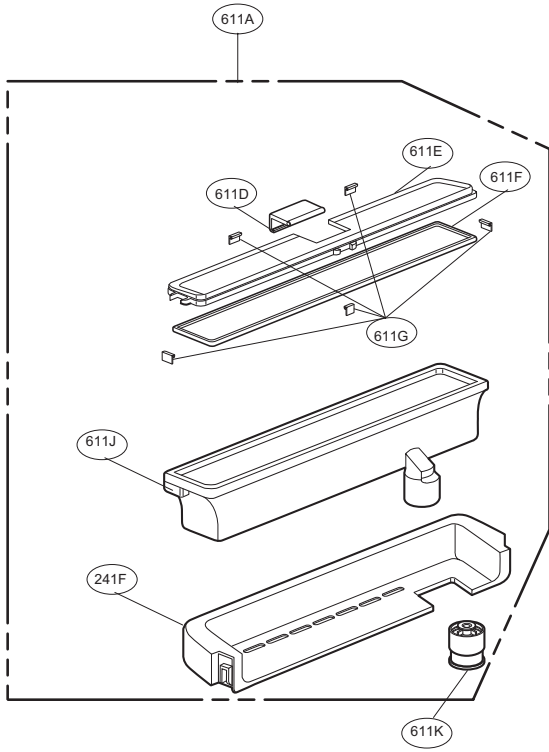


V Capacitors and fuse are optional parts.









265J

