

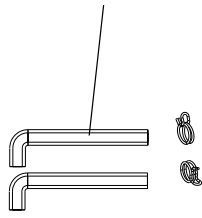
S108



S106



S105



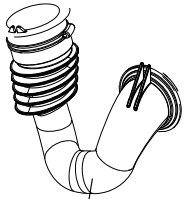
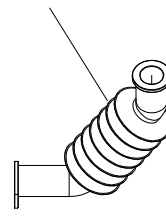
S104



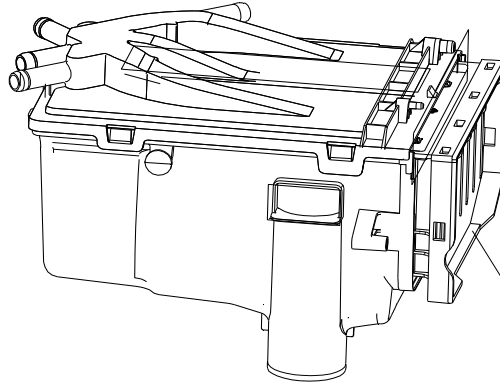
S103



S118

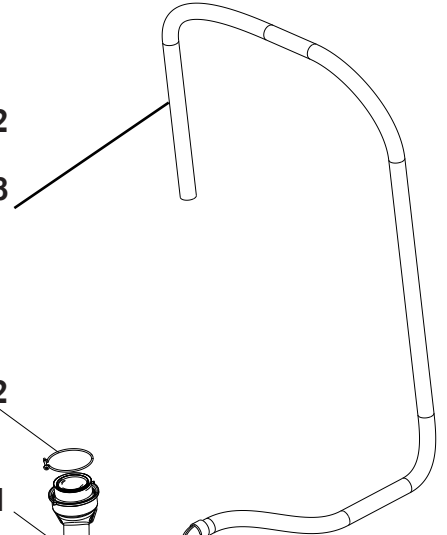


S107

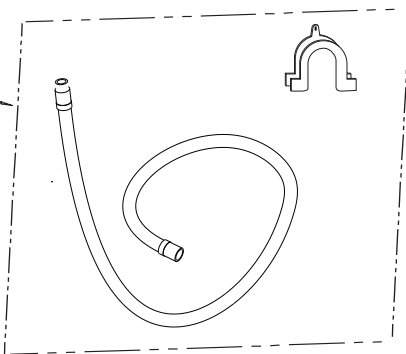


S162

S208



S167



S202

S201

S203

S205

S204

S210

