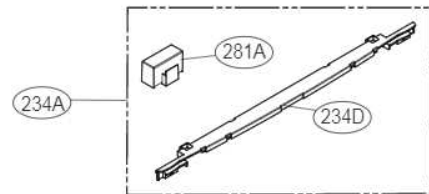
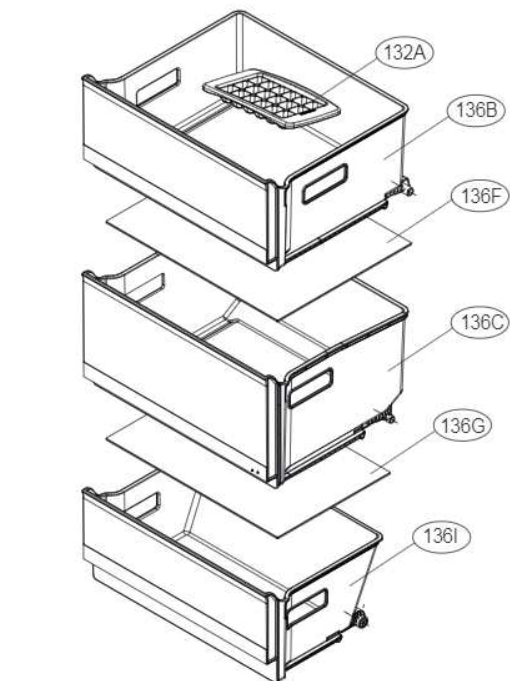
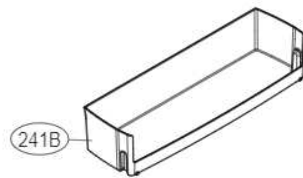
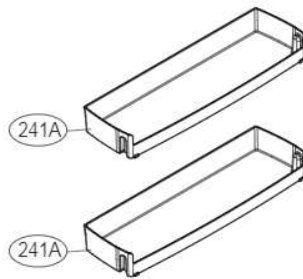
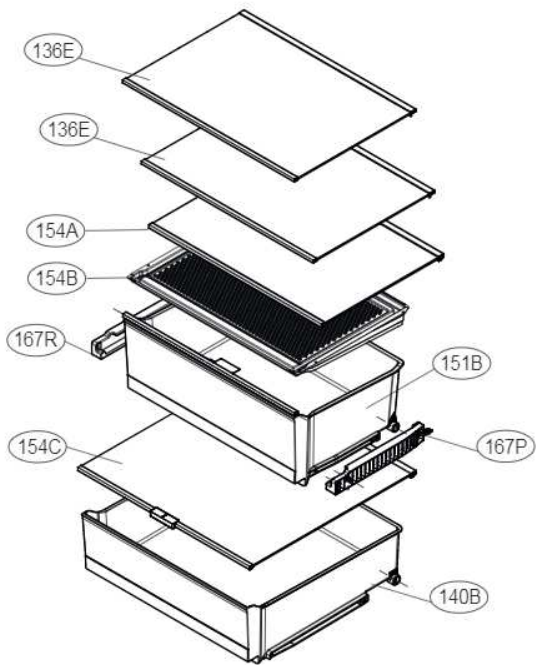


Ref. No : GBB61**JZN



If you request SVC Code(231A),
Please request 212G, 212H together

