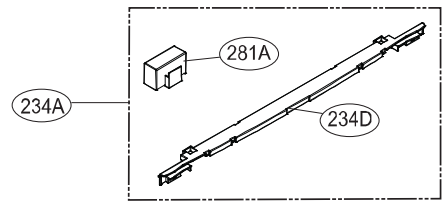
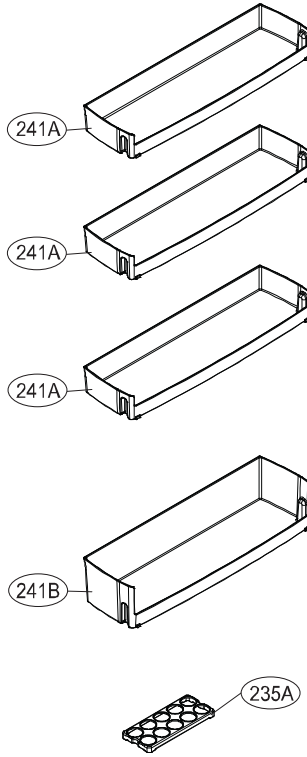
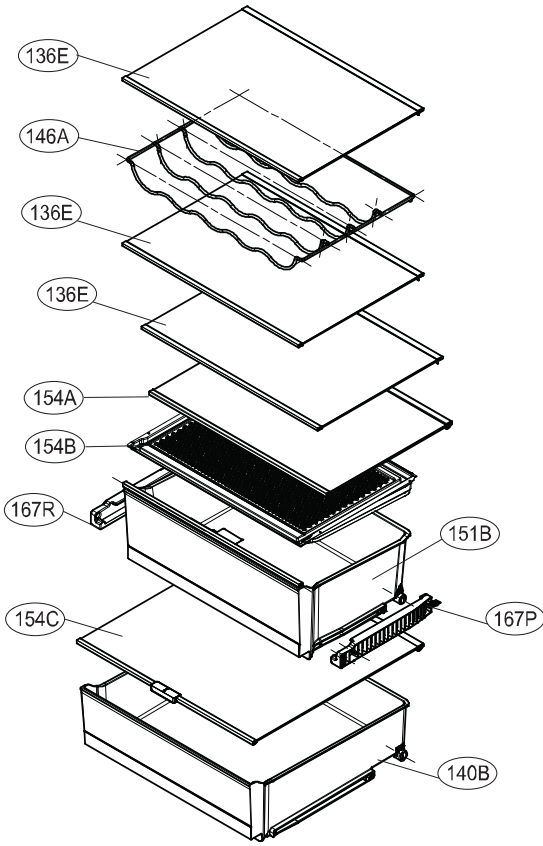


Ref. No : GBB62\*\*FFN



If you request SVC Code(231A),  
Please request 212G, 212H together

