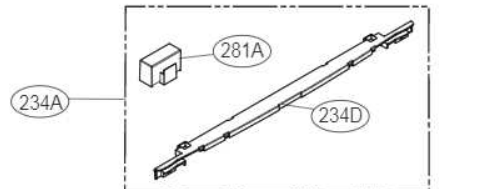
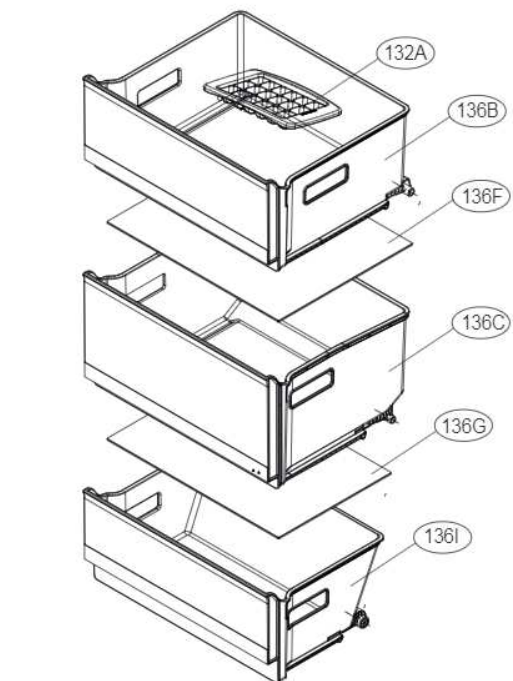
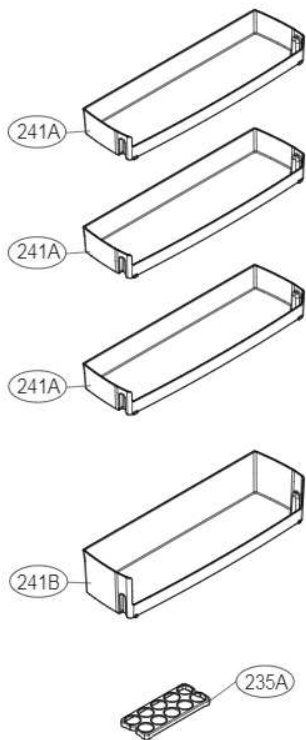
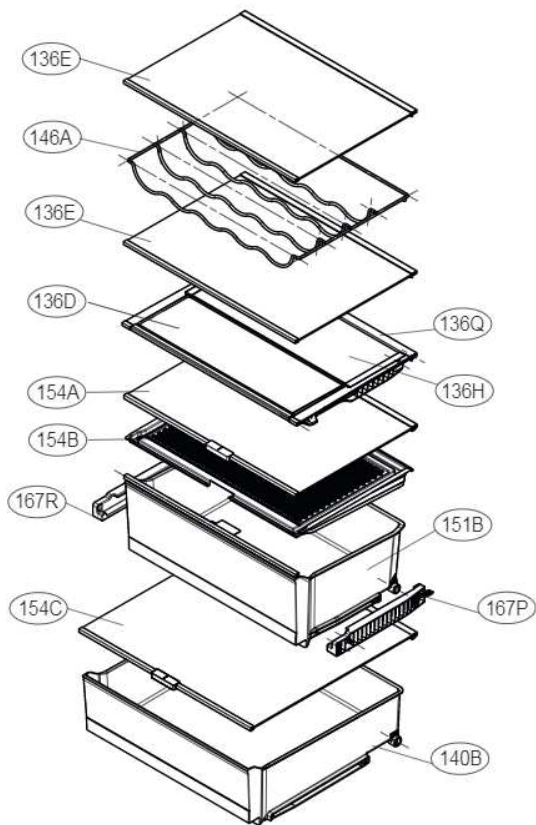


Ref. No : GBB72\*\*DFN



If you request SVC Code(231A),  
Please request 212G, 212H together

