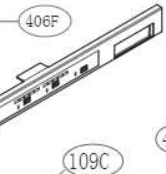


210F

When you service 153C,  
you also have to service 120D together

102B



411B

109C

411E

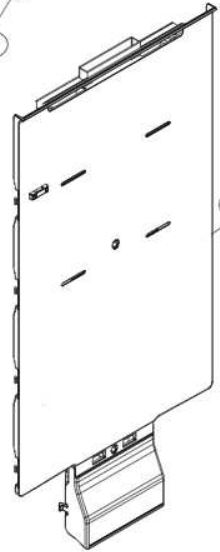
120D



281B



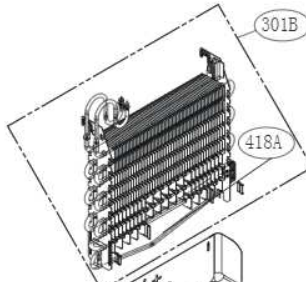
120 A



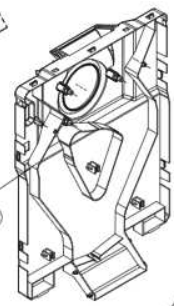
282B



301B



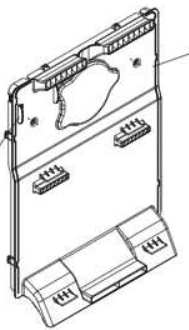
330B



404A

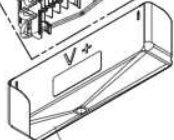


332A



720A

108A



283B



106 B



283A



106B



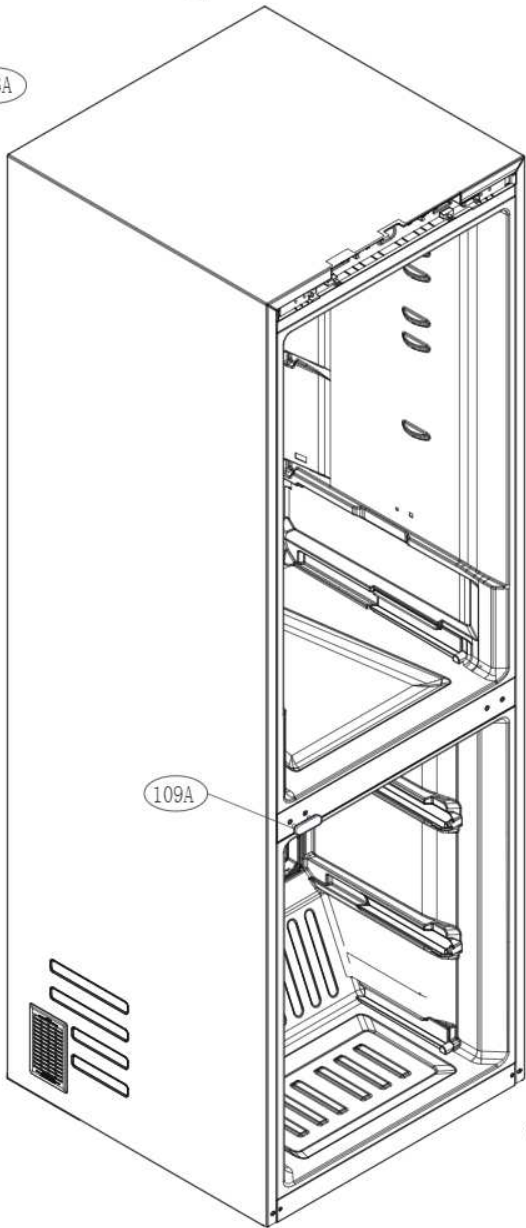
103B

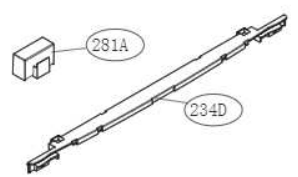
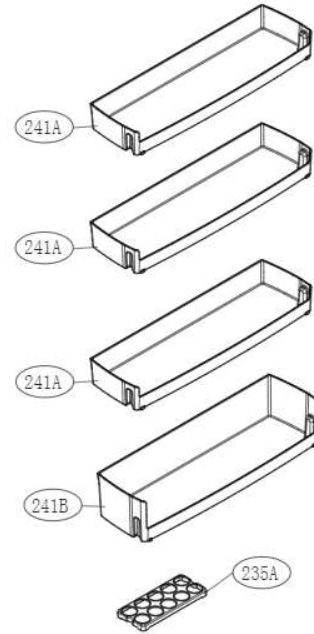
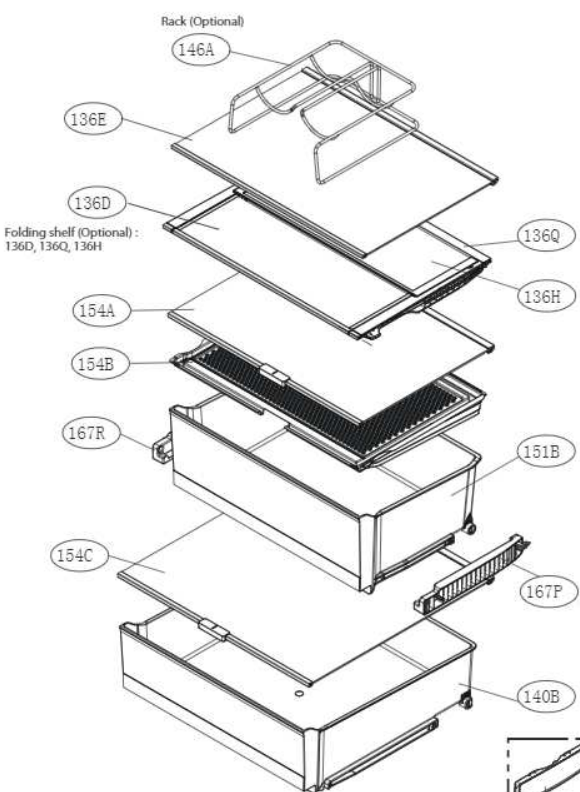


103A



109A





When you service 231A,  
you also have to service 239A, 212G together

