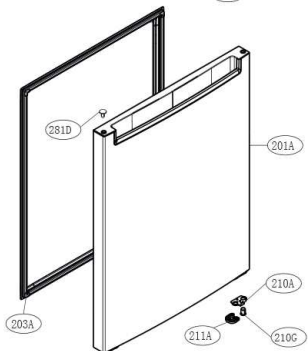
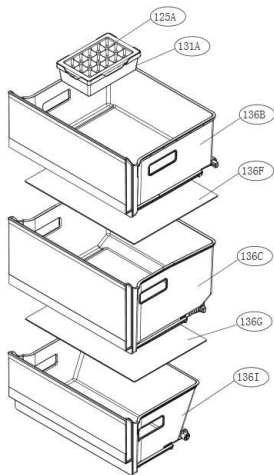
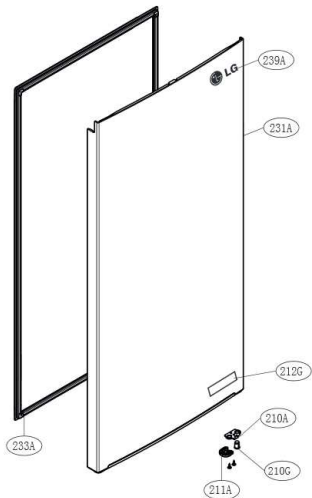
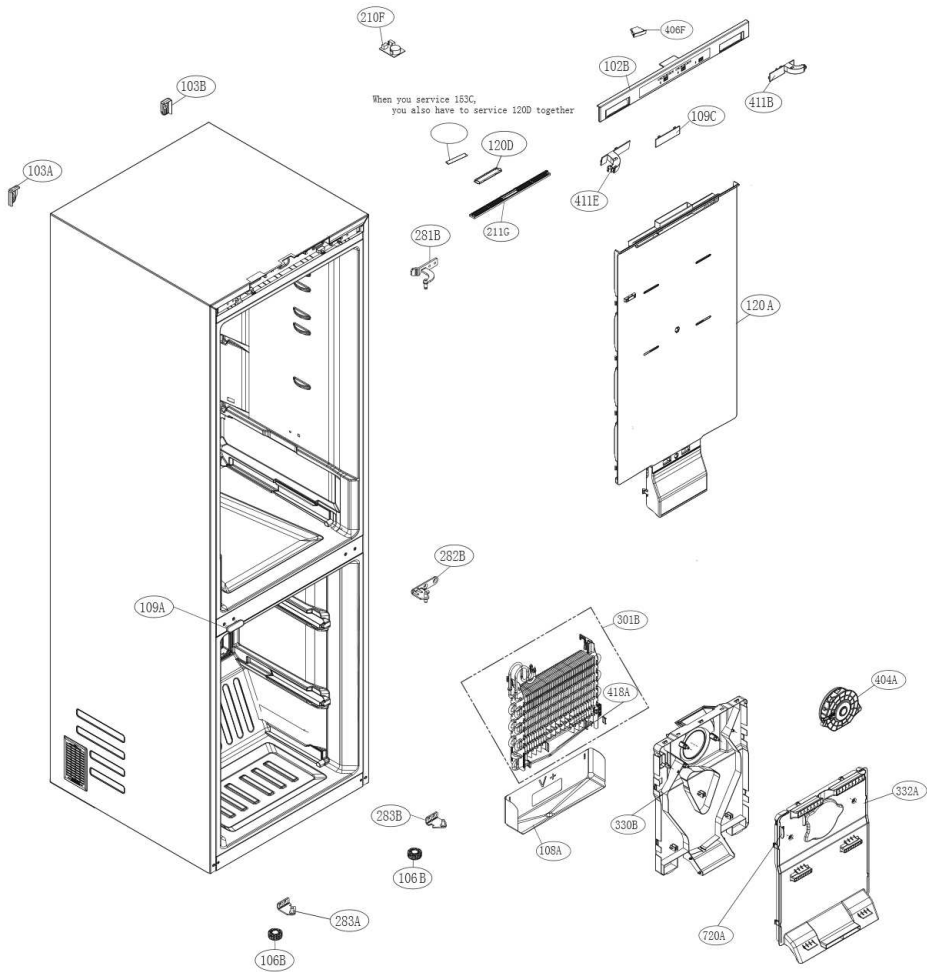
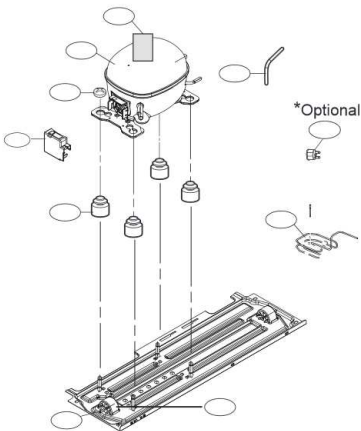
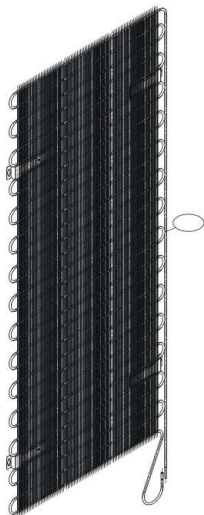
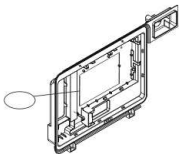


When you service 231A,
you also have to service 239A, 212G together







*Optional

