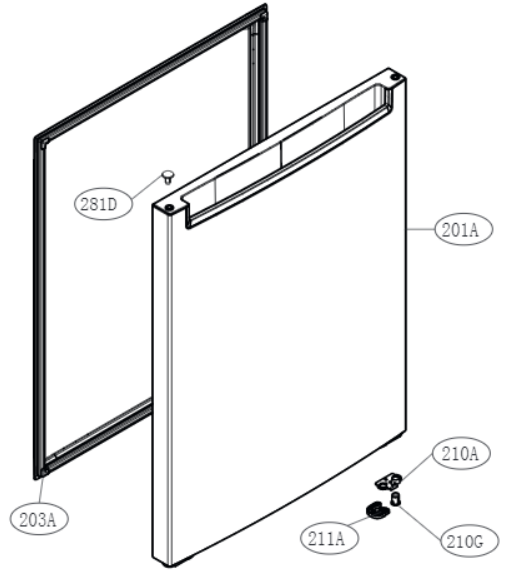
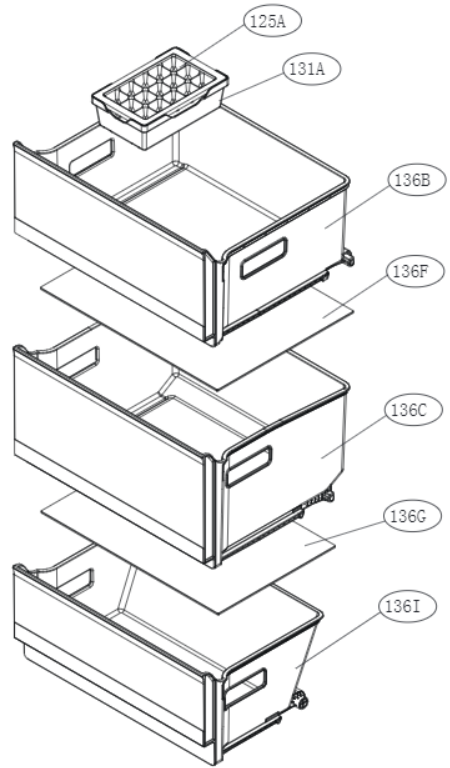
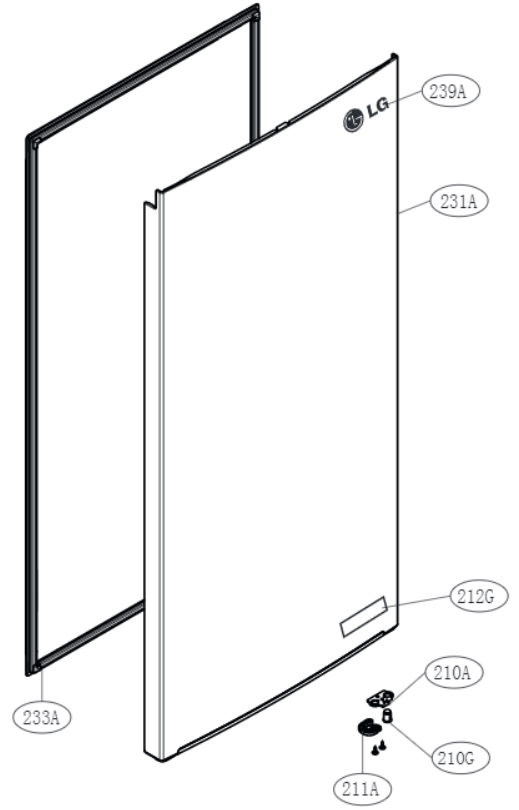
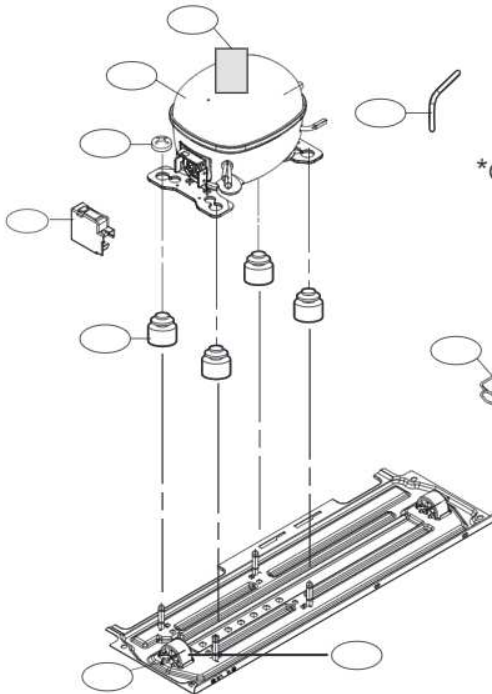
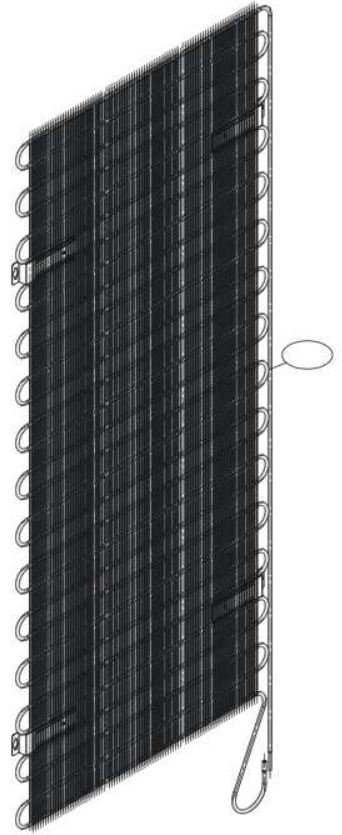
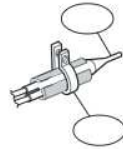
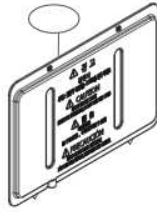
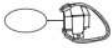
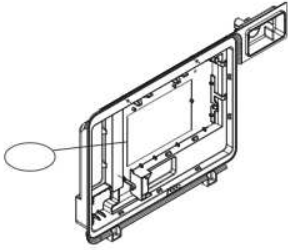


When you service 231A, you also have to service 239A, 212G together





\*Optional

