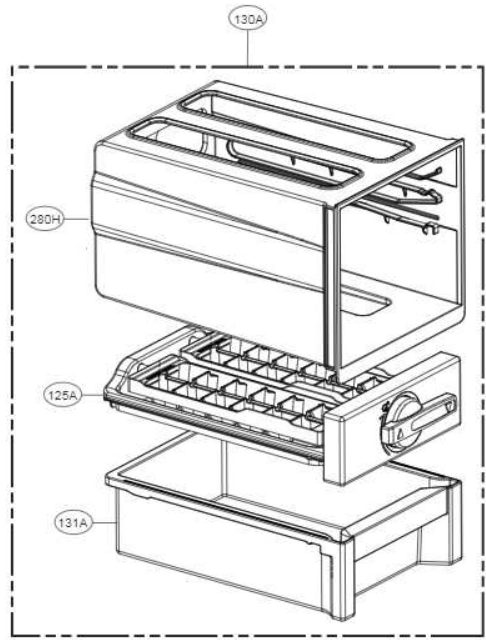
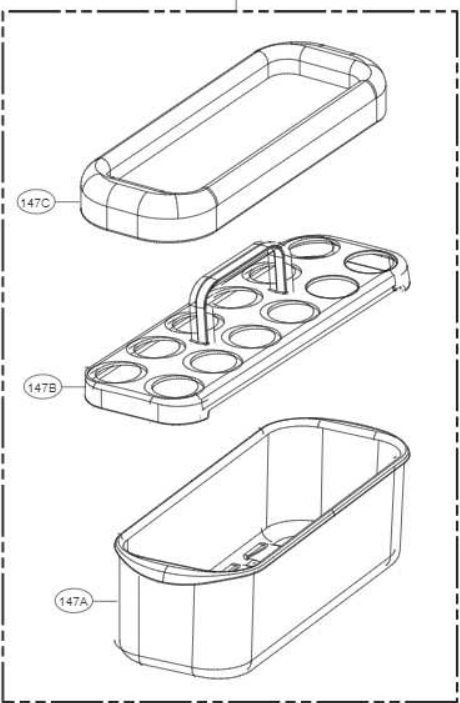
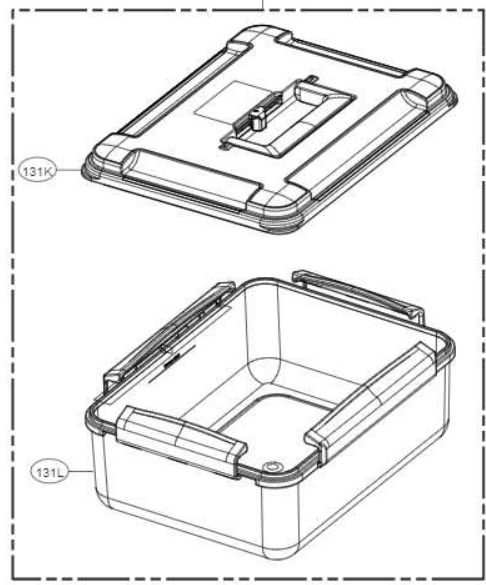
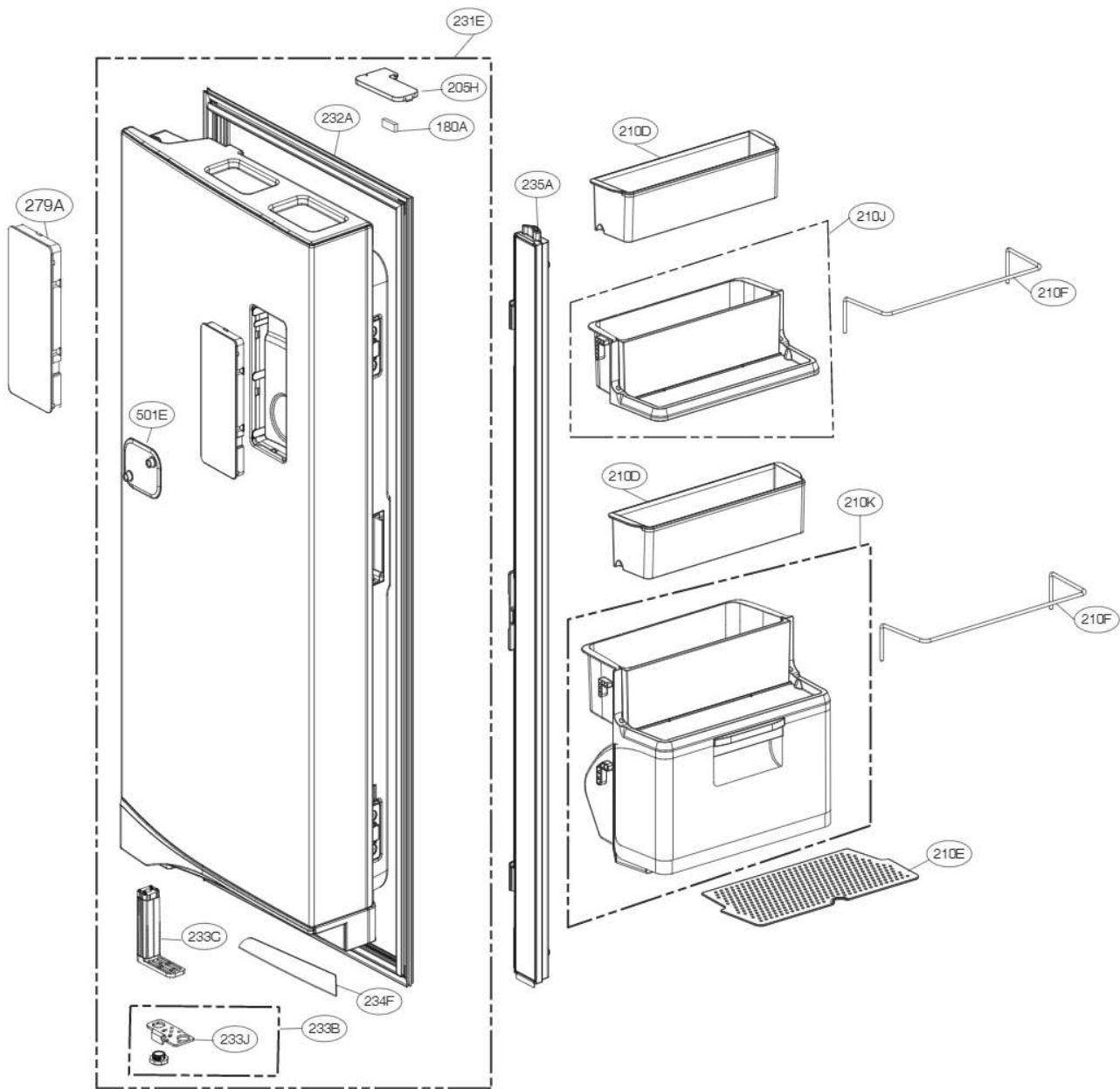


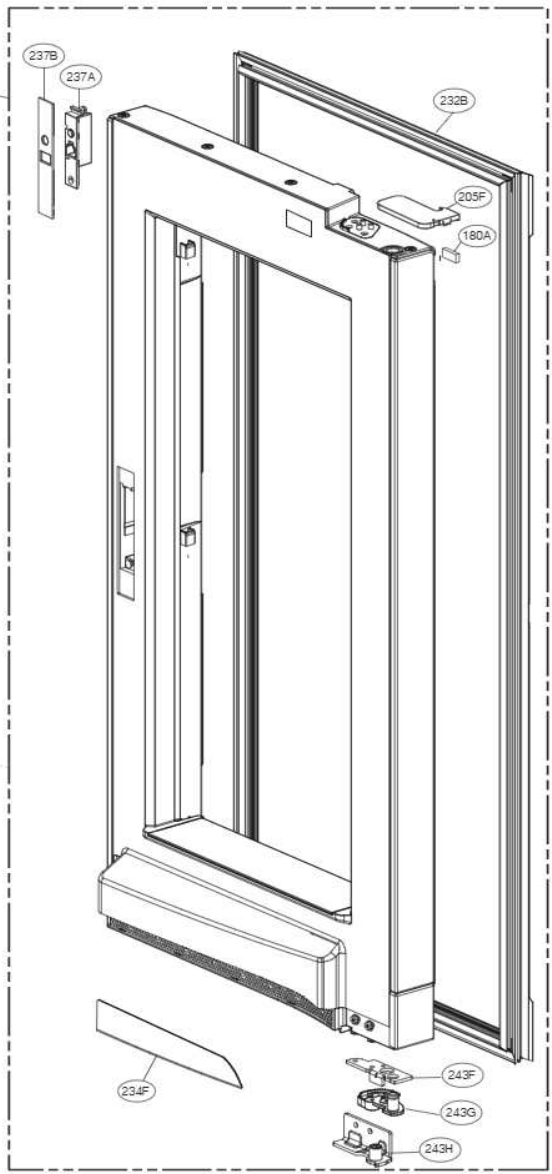
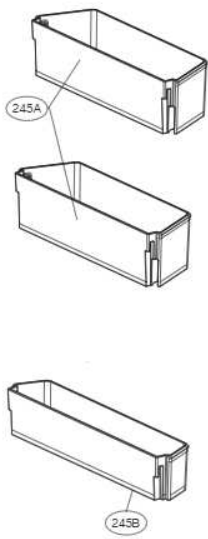
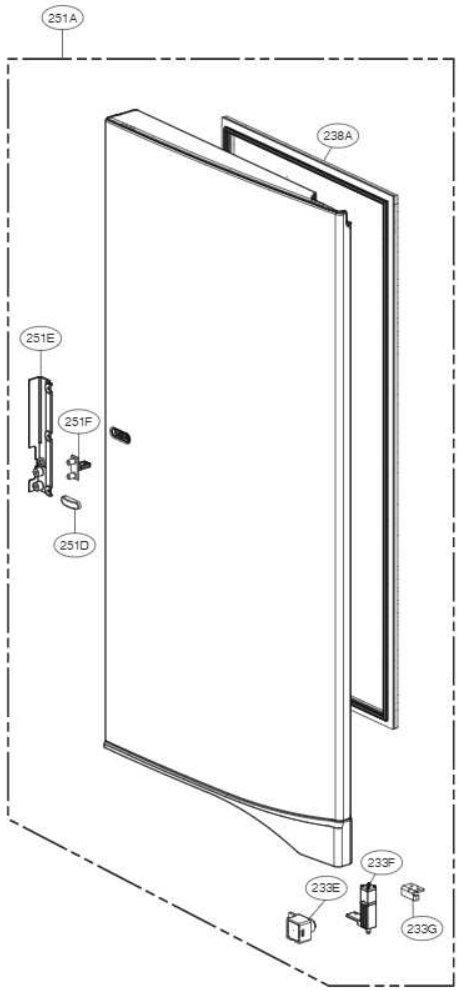
146L



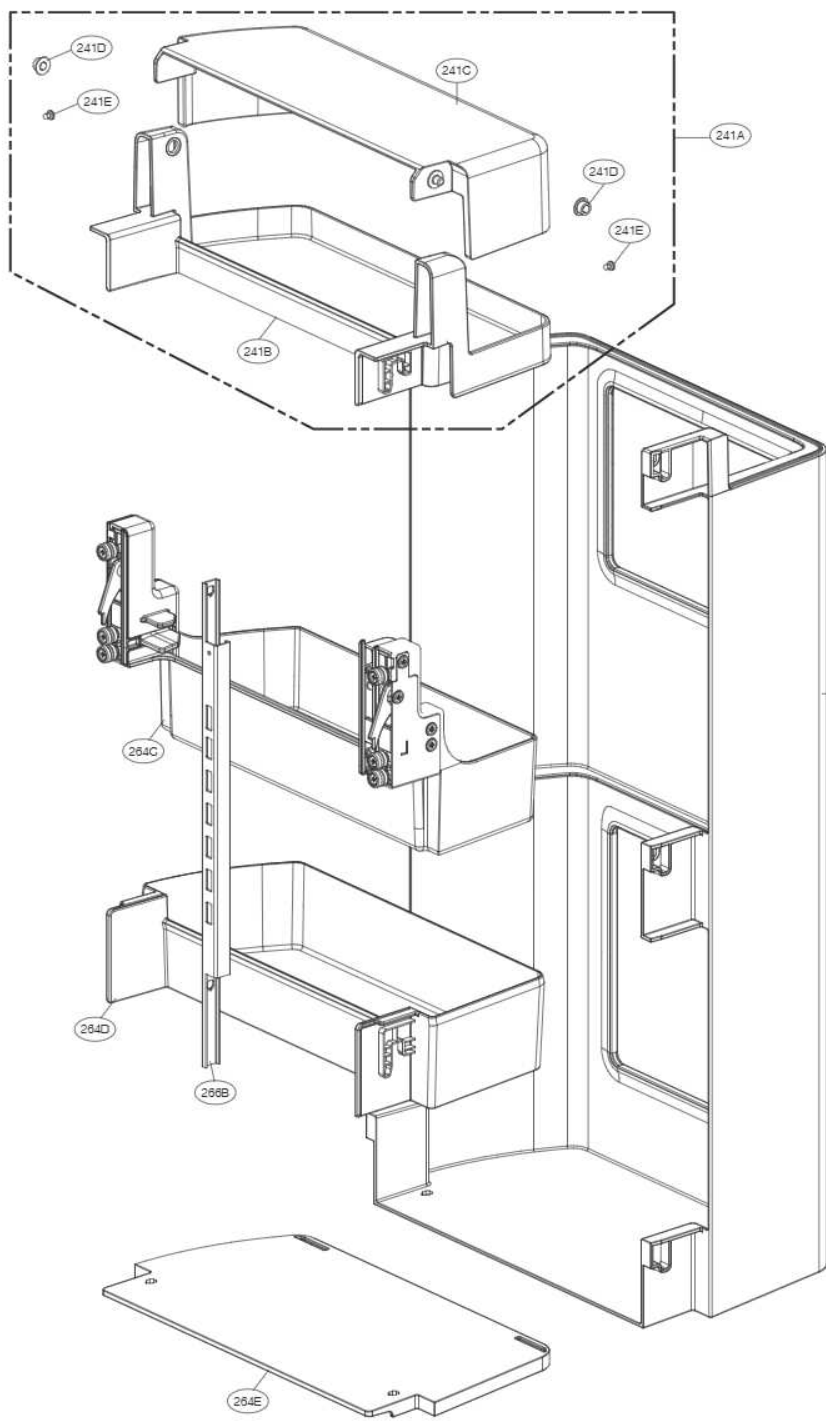
131M







264A



241D

241E

241C

241A

241D

241E

241B

264B

264C

264A

264D

264B

264E

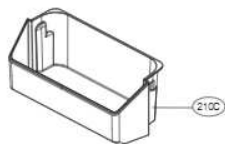
201A

202A

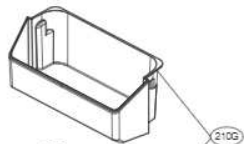
235B

233J

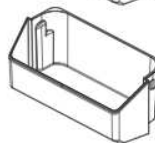
233D



210C



210G



201B

202B

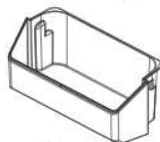
235B

262C

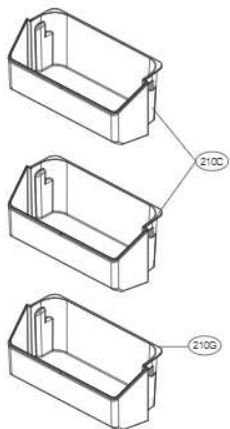
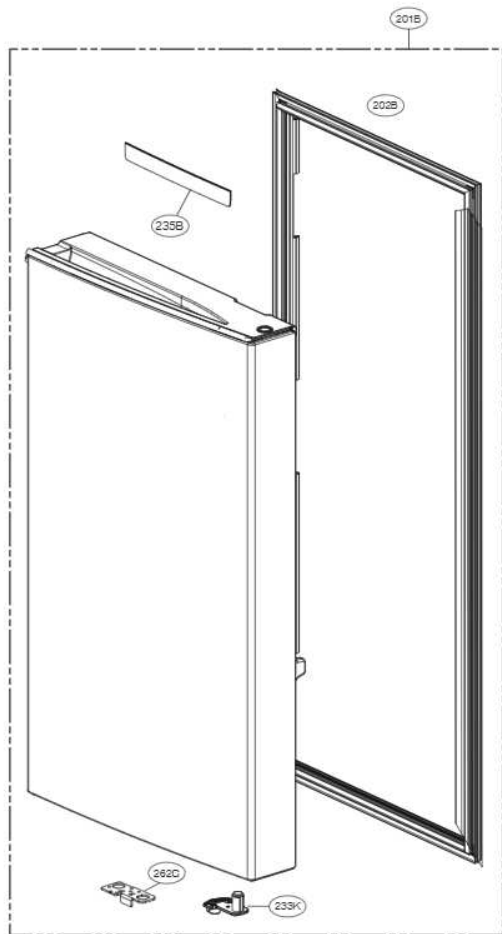
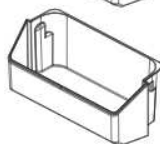
233K

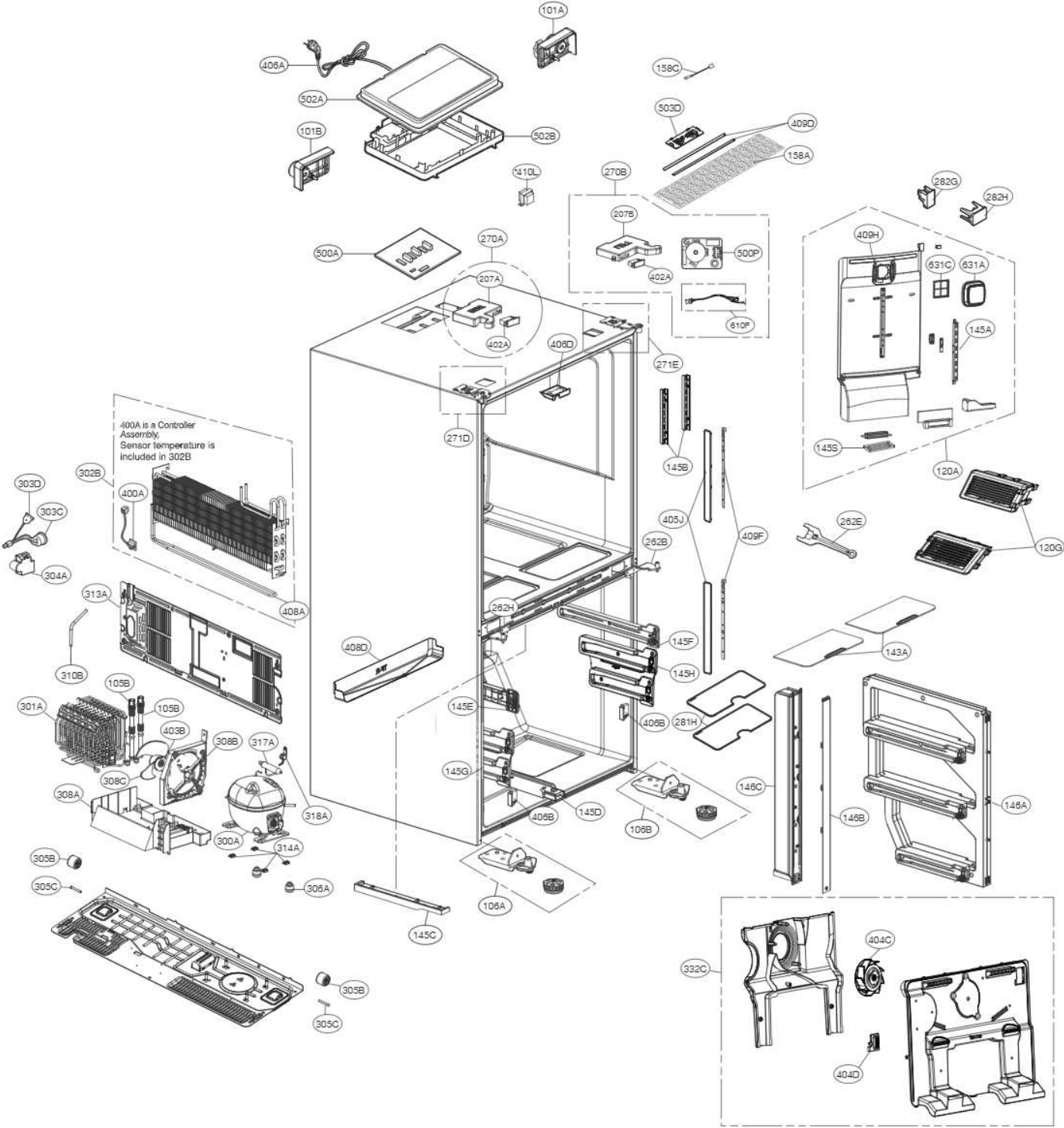


210C



210G





400A is a Controller Assembly, Sensor temperature is included in 302B

