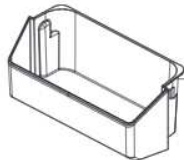
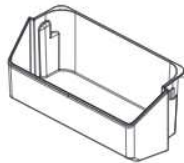
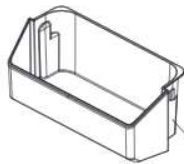
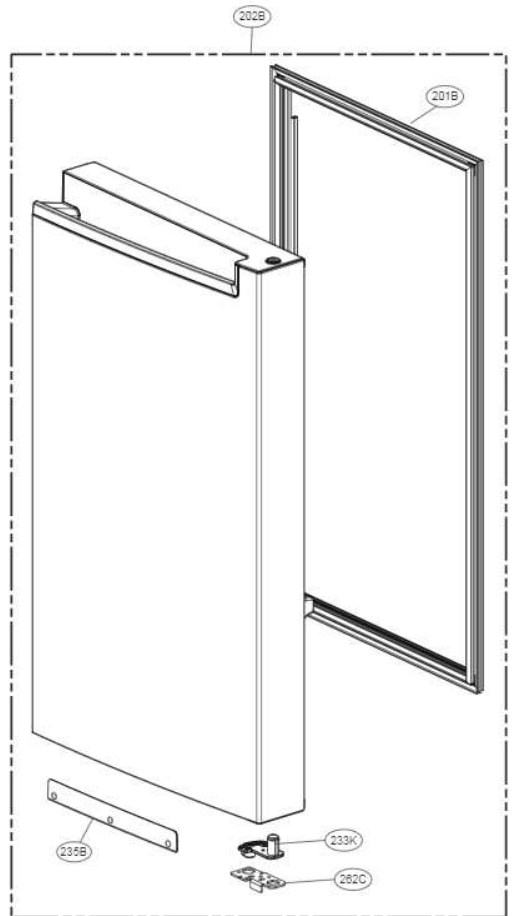


201A



210C

210G



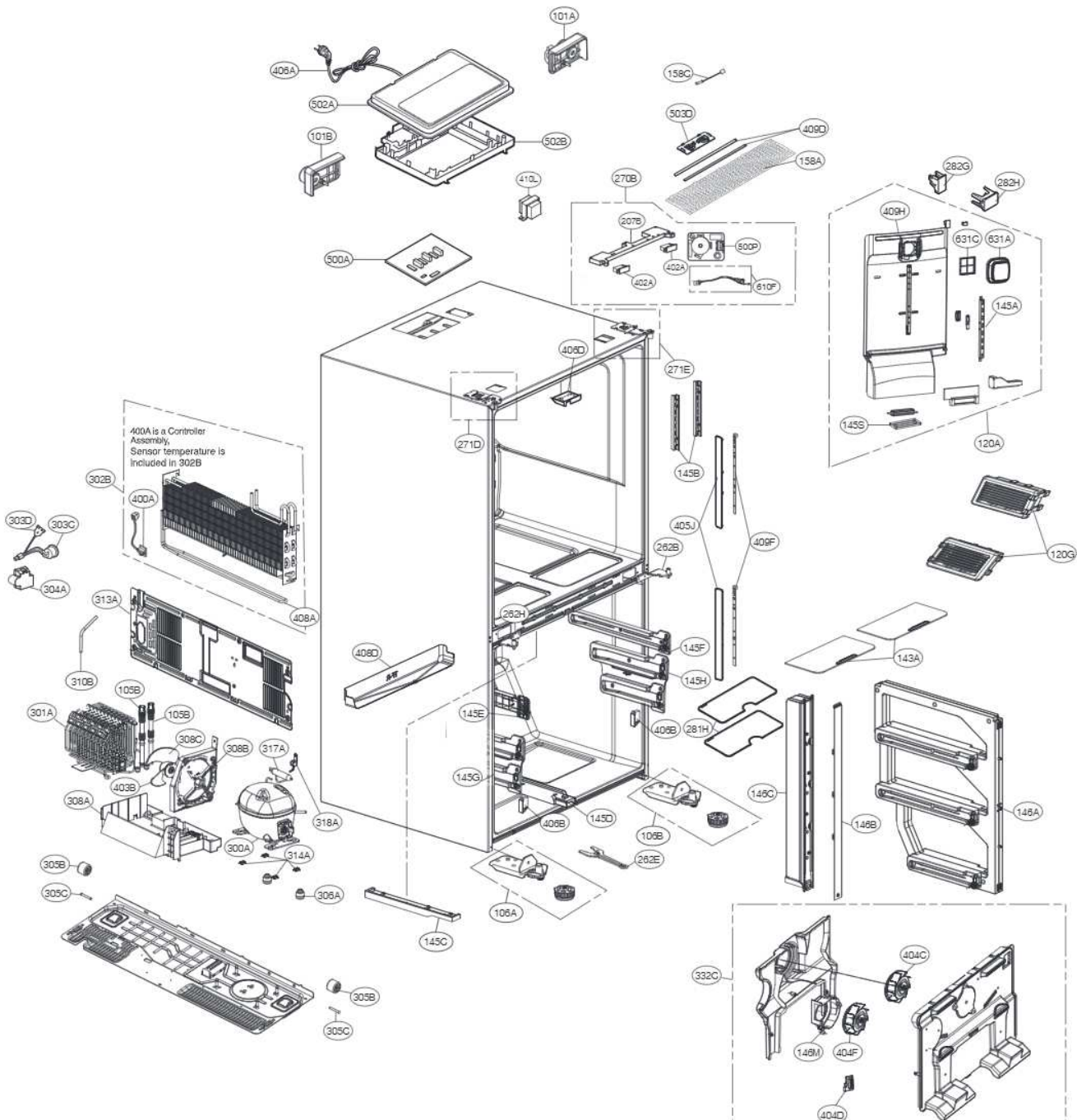
235B

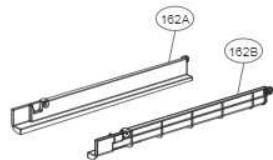
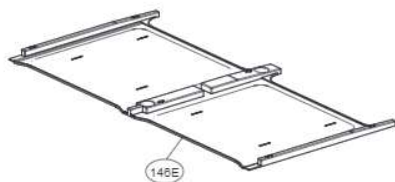
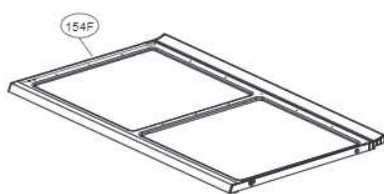
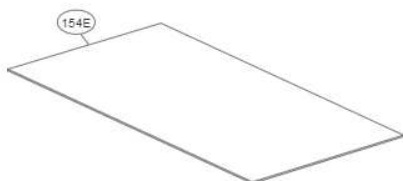
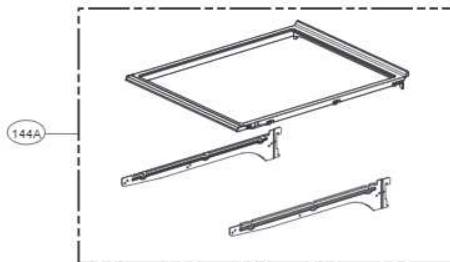
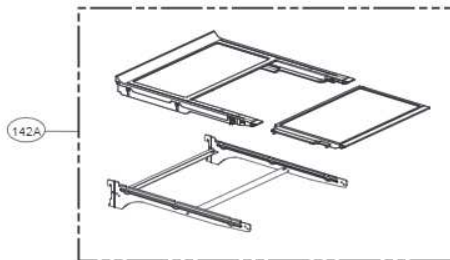
233K

262C

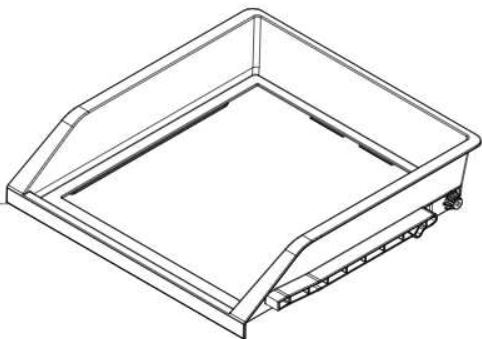
202B

201B

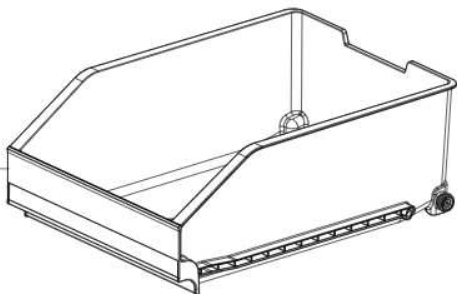




136A



136J



136B

