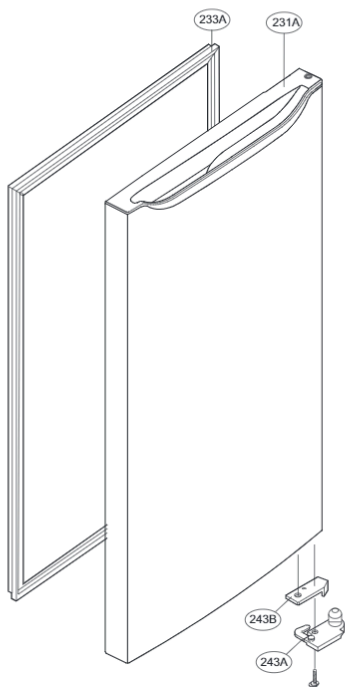
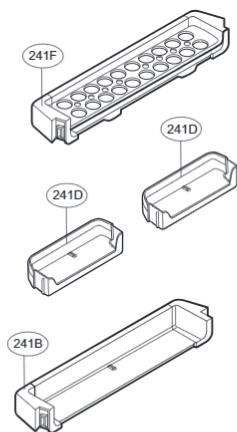
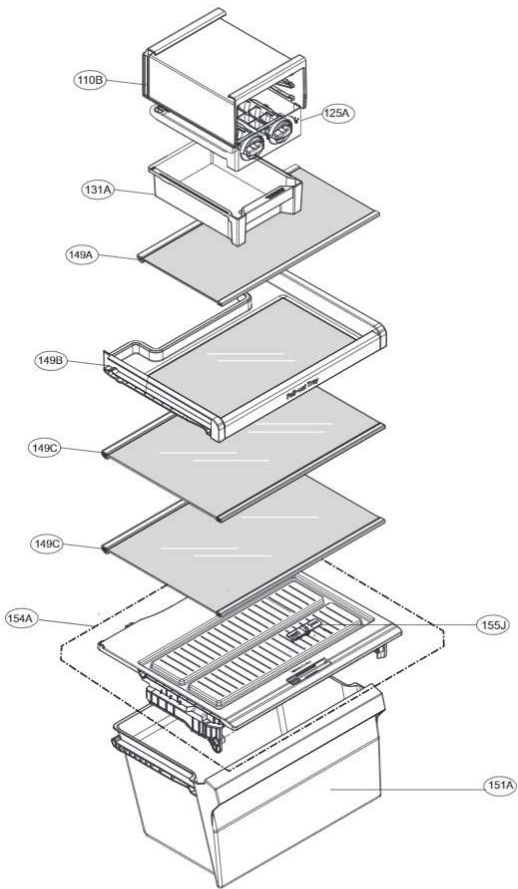
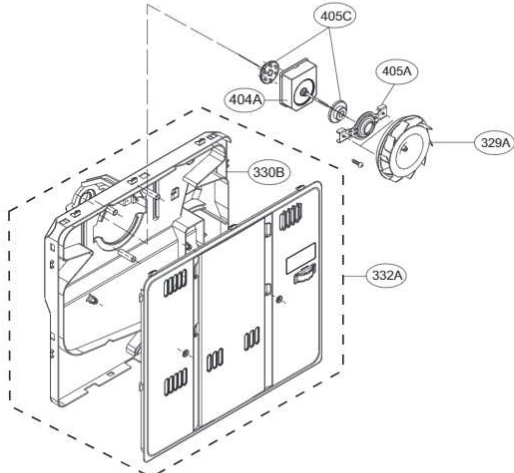
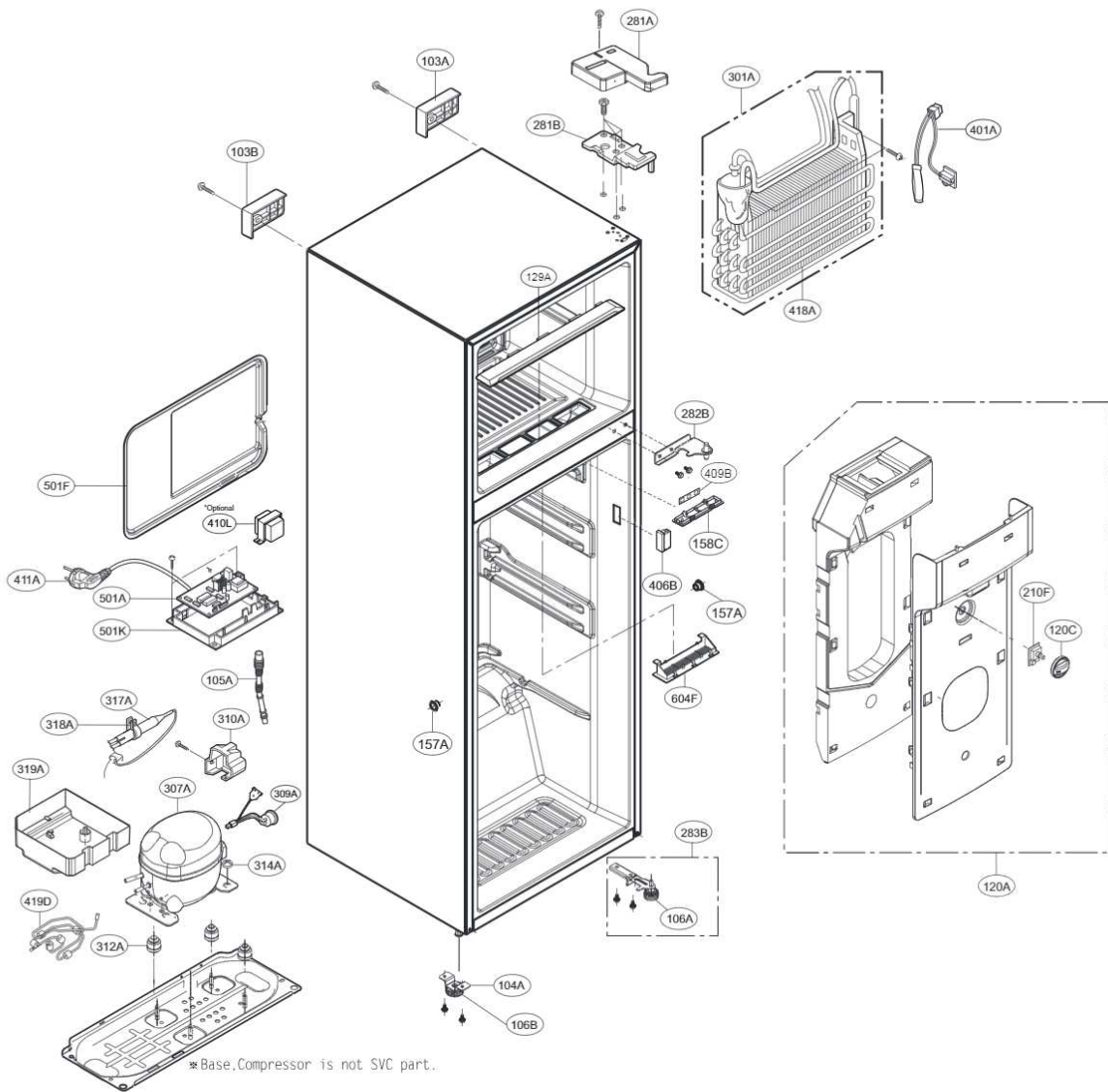


※When do the SVC of 201A,
should request the 212G also







*Base, Compressor is not SVC part.