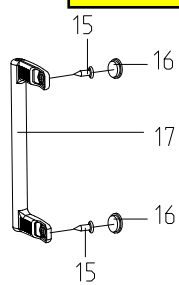
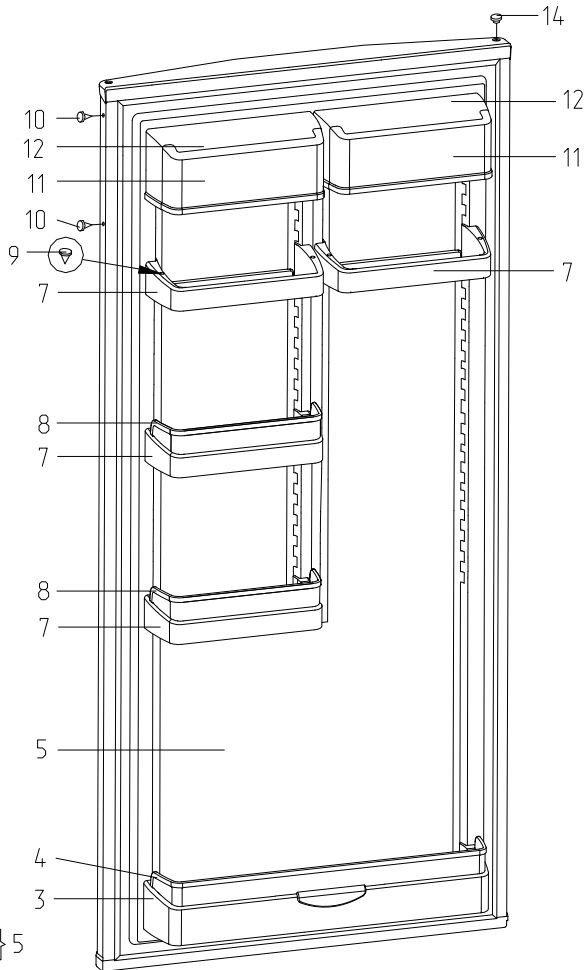
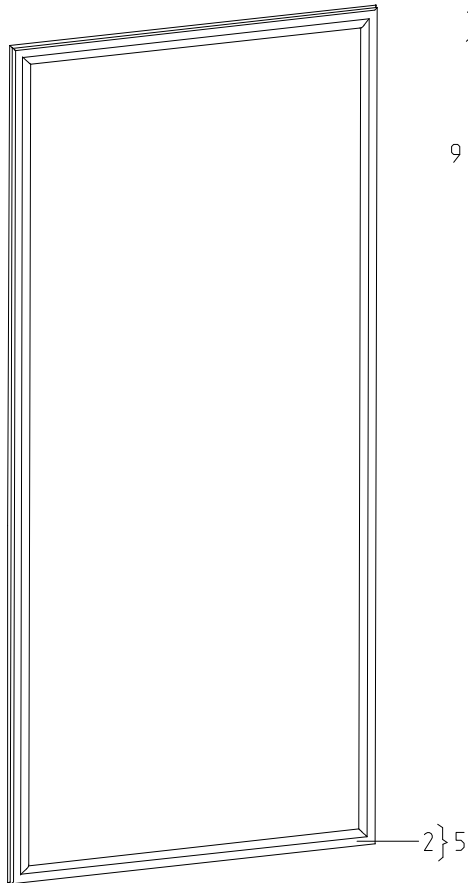
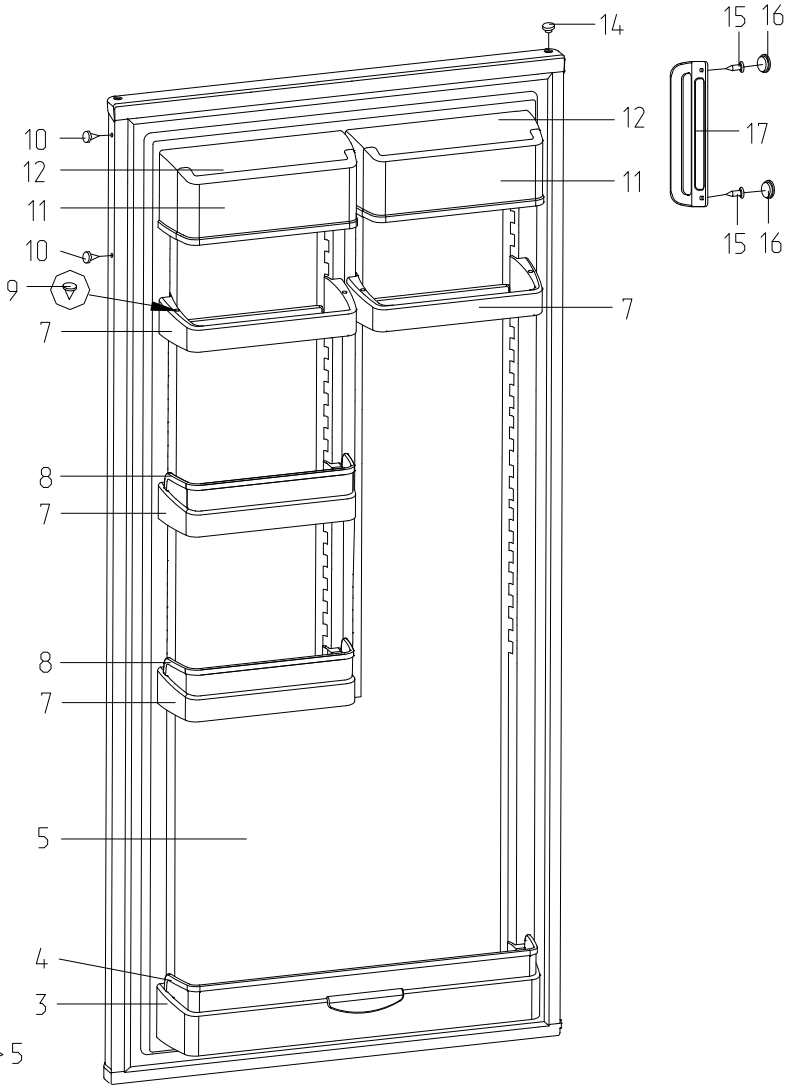
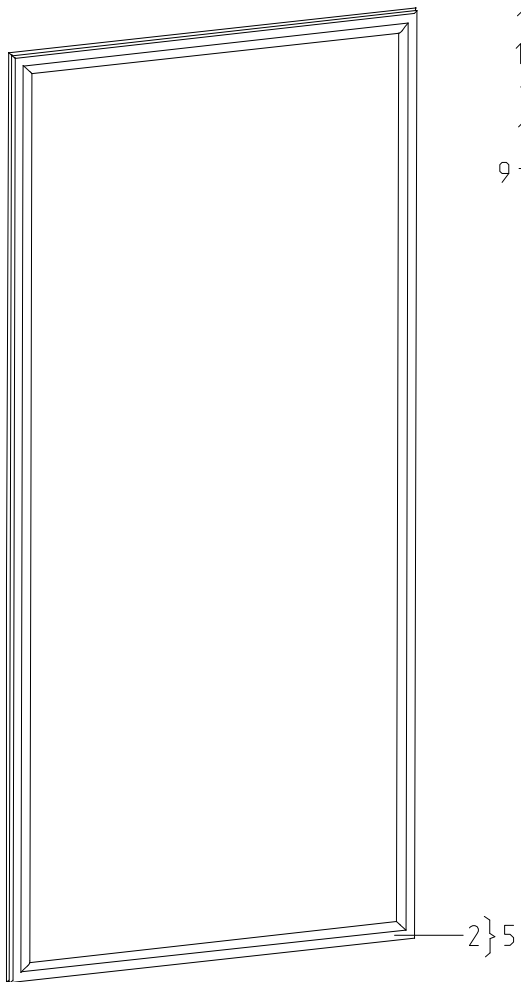
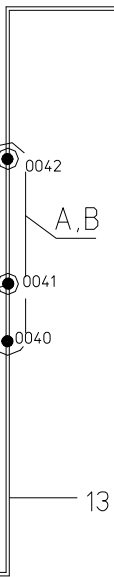
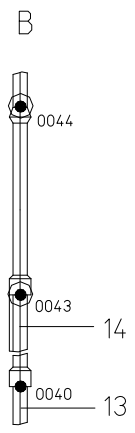
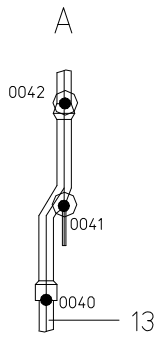
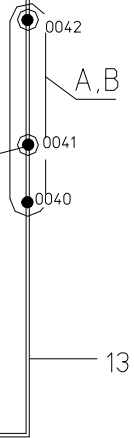
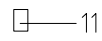
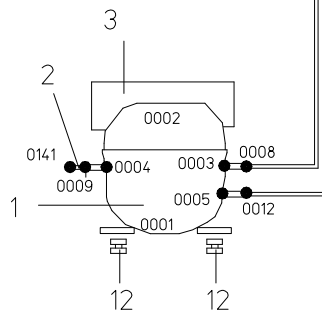
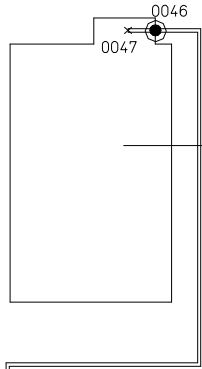
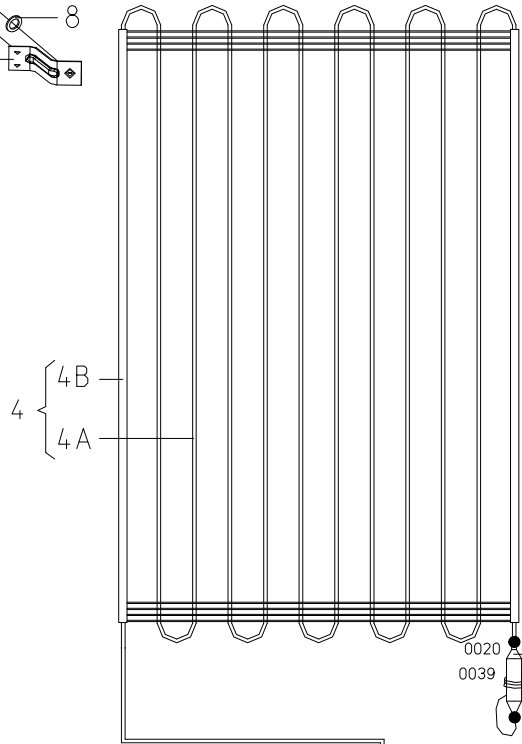
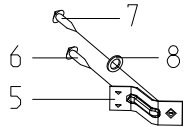


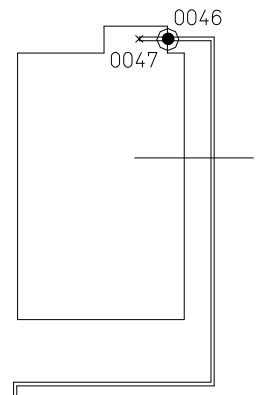
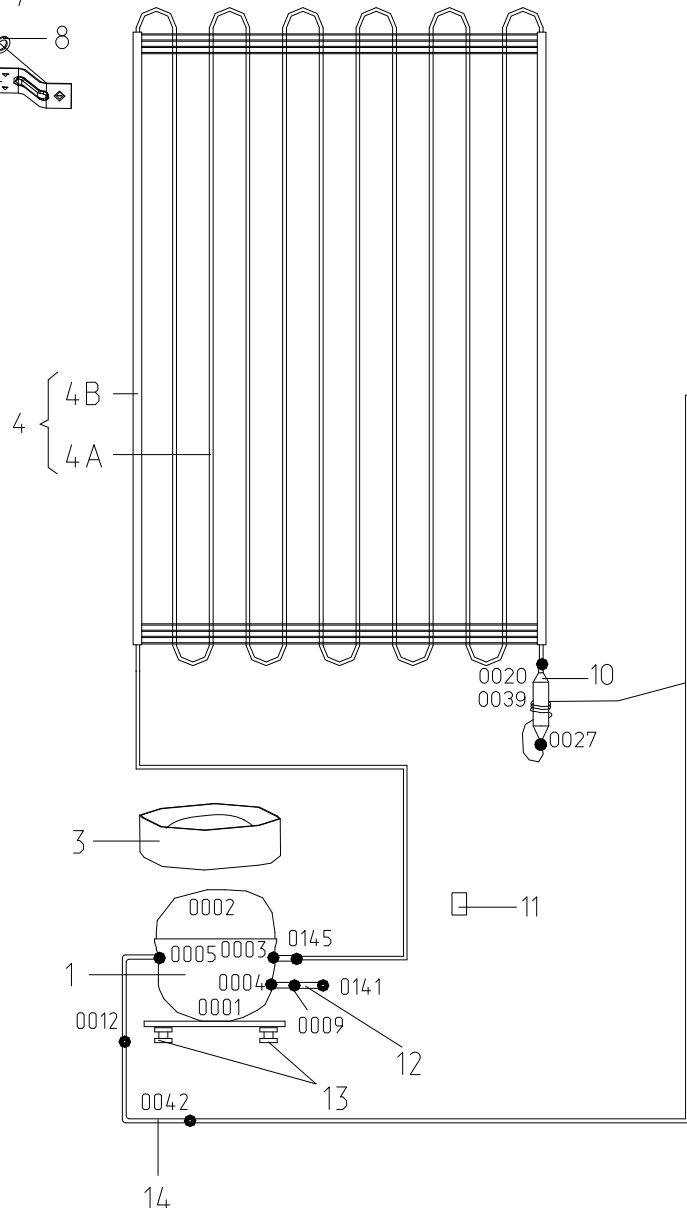
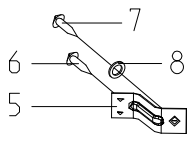
VUE B



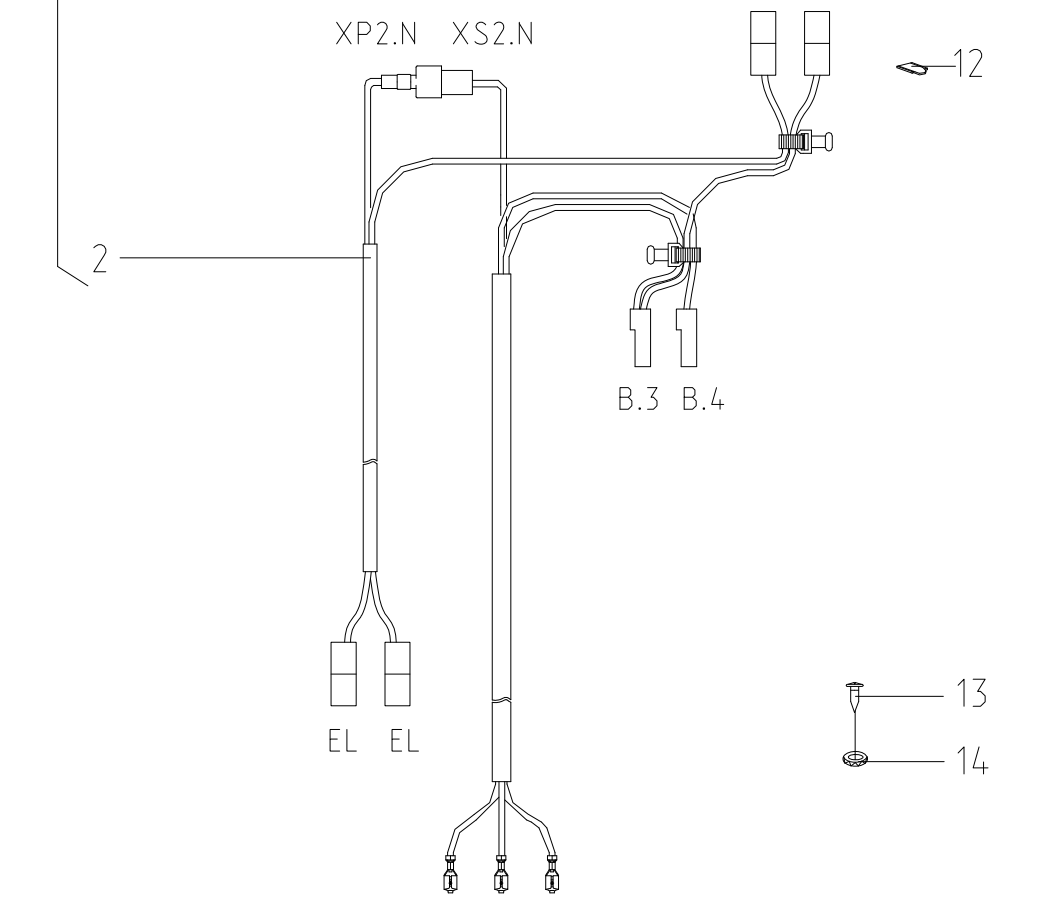
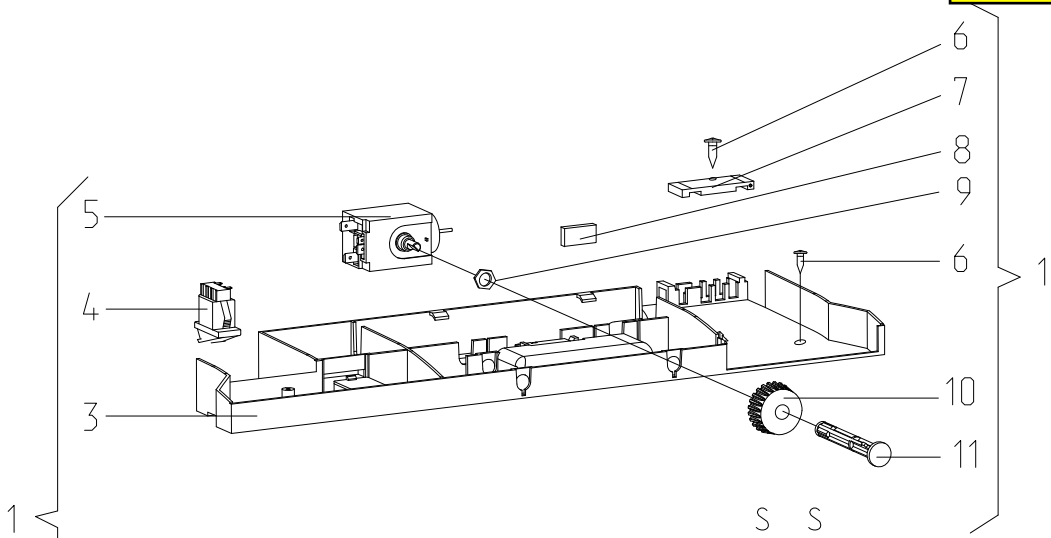
VUE C

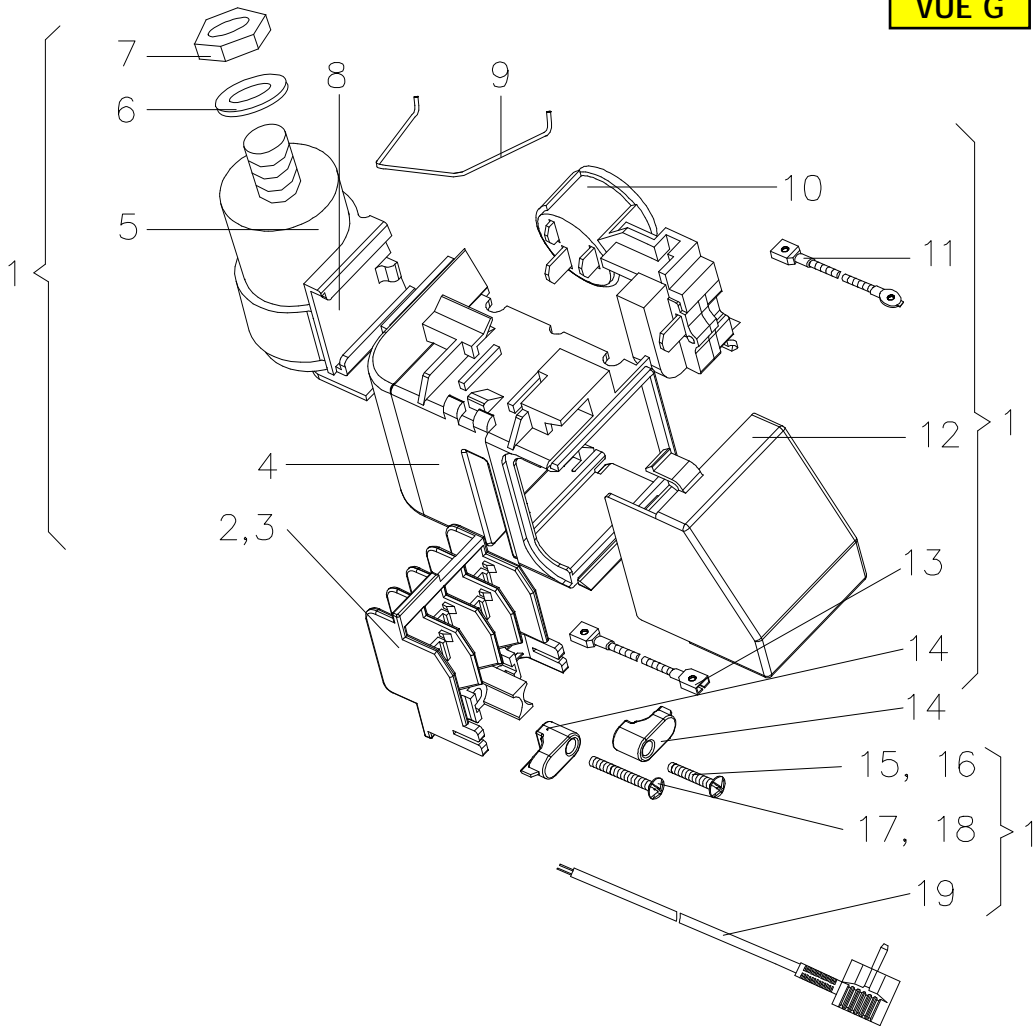






Evaporator





Pos. 3 is absent

A

Compressor

Compressor

