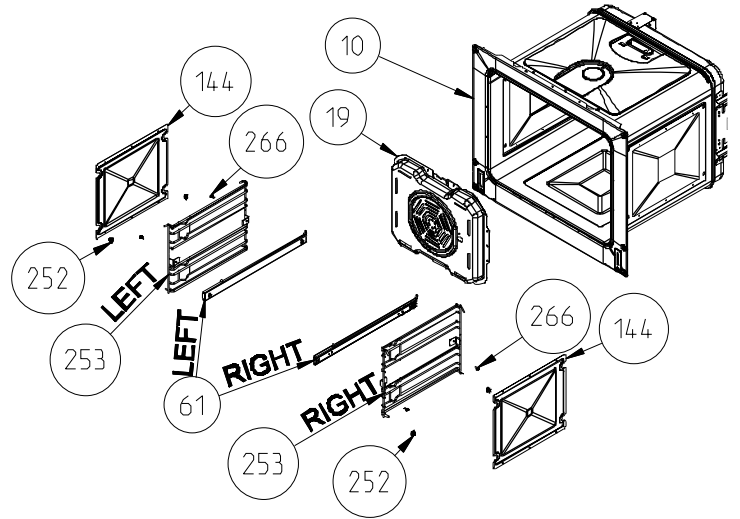
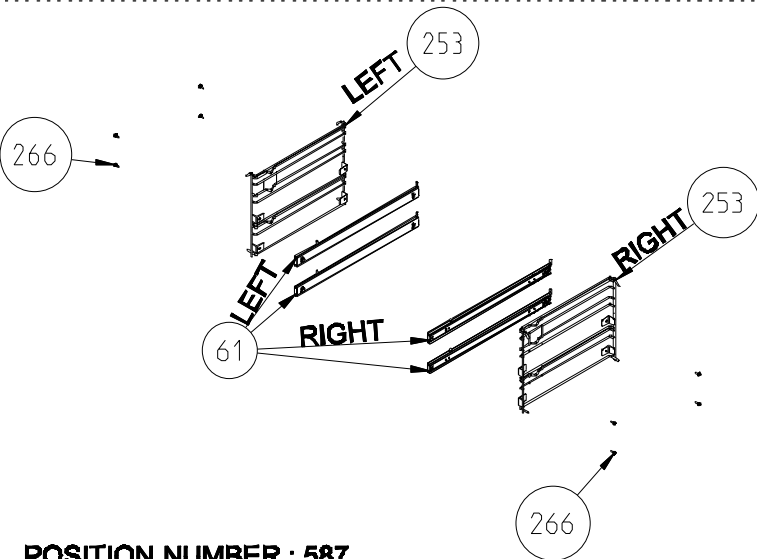


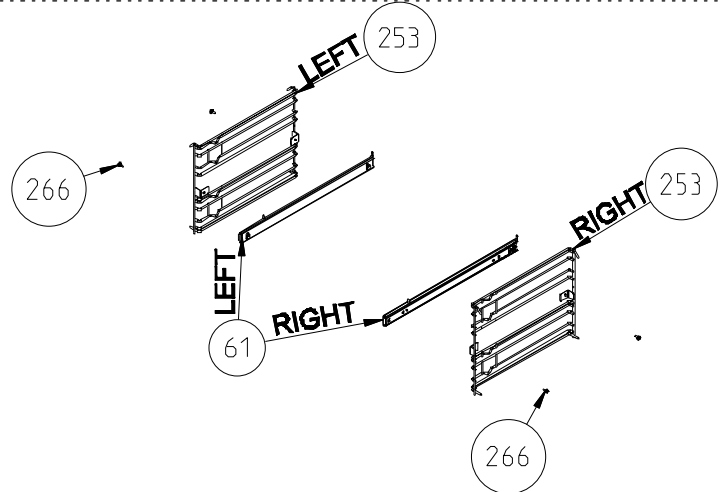
**WIRE SHELF CAVITY ASSEMBLY
WITH/ WITHOUT CATALYTIC PANEL
OPTIONAL:DOUBLE TELESCOPIC RAIL (R / L)**



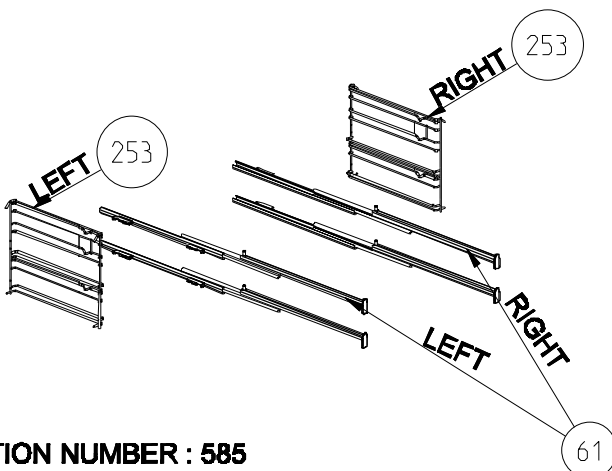
**WIRE SHELF CAVITY ASSEMBLY
WITH/ WITHOUT CATALYTIC PANEL
OPTIONAL:TELESCOPIC RAIL (R / L)**



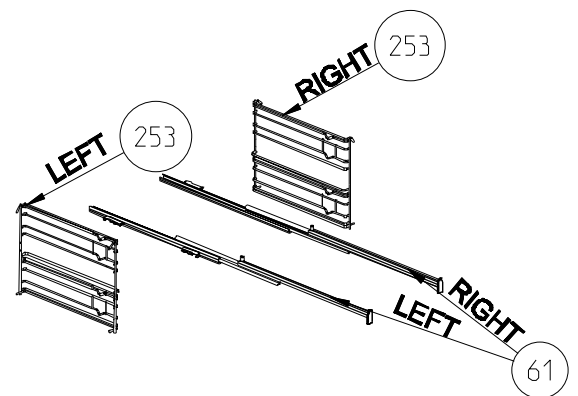
**POSITION NUMBER : 587
WIRE SHELF (SINGLE EXTENSION)
OPTIONAL:DOUBLE TELESCOPIC RAIL (R / L) GROUP**



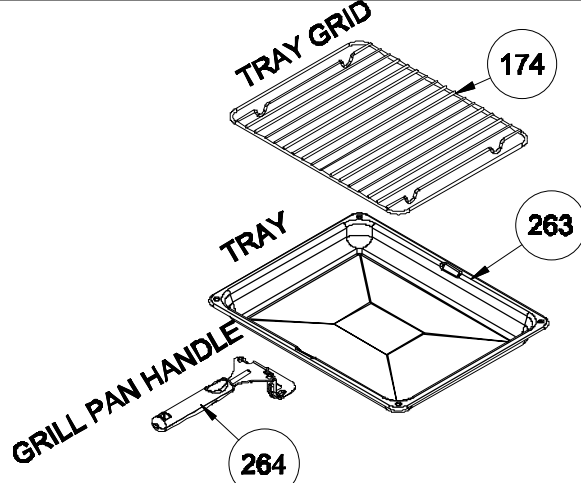
**POSITION NUMBER :588
WIRE SHELF (SINGLE EXTENSION)
OPTIONAL: SINGLE TELESCOPIC RAIL (R / L) GROUP**



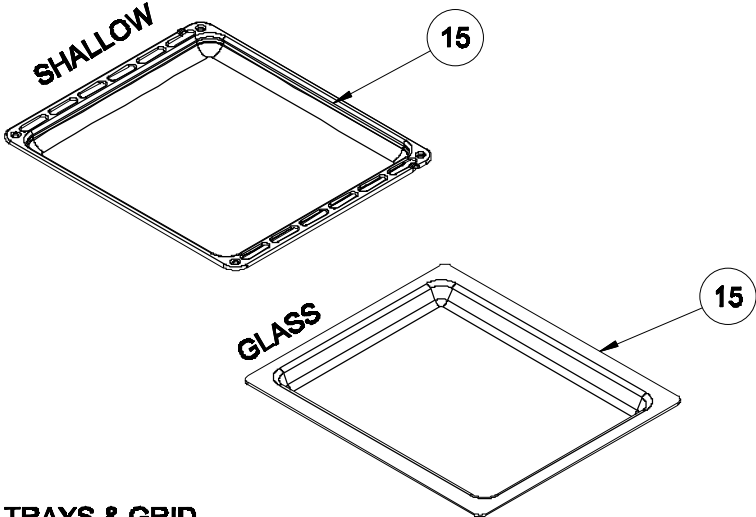
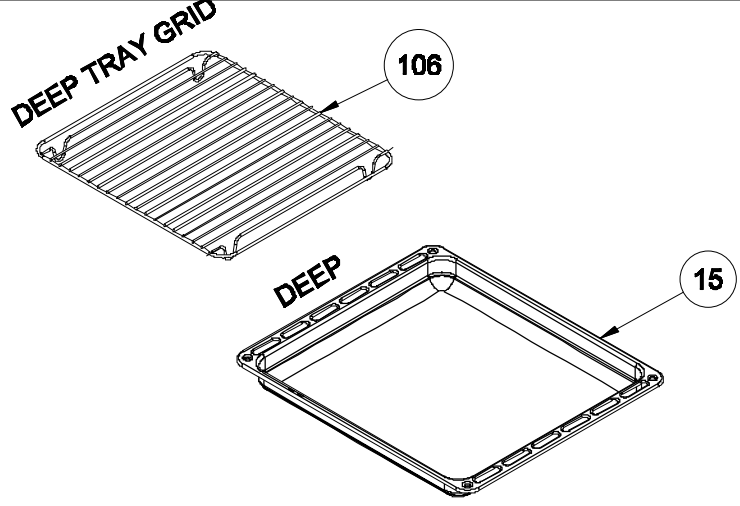
**POSITION NUMBER : 585
WIRE SHELF (FULL EXTENSION)
OPTIONAL:DOUBLE TELESCOPIC RAIL (R / L) GROUP**



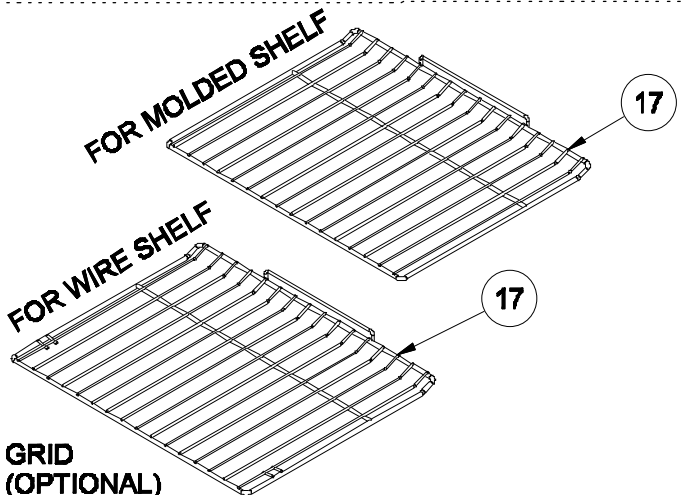
**POSITION NUMBER: 586
WIRE SHELF (FULL EXTENSION)
OPTIONAL: SINGLE TELESCOPIC RAIL (R / L) GROUP**



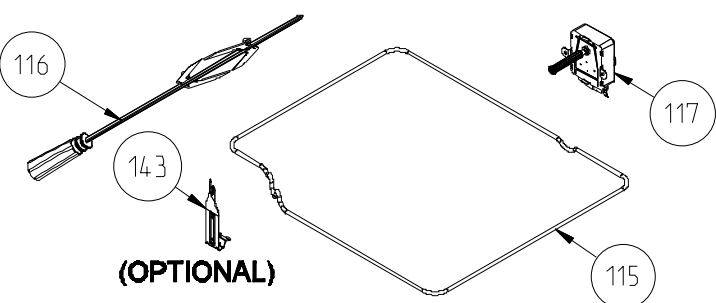
**GRILL PAN AND HANDLE SET
(TRAY SET FOR GRILL)
POSITION NUMBER : 265 (OPTIONAL)**



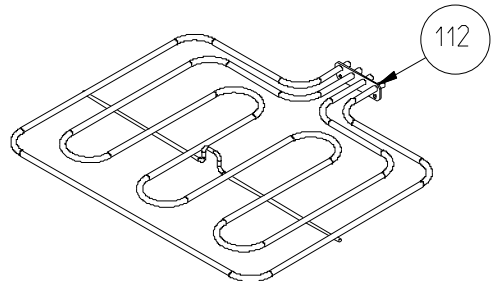
**TRAYS & GRID
(OPTIONAL FOR DB.OVEN ELC)**



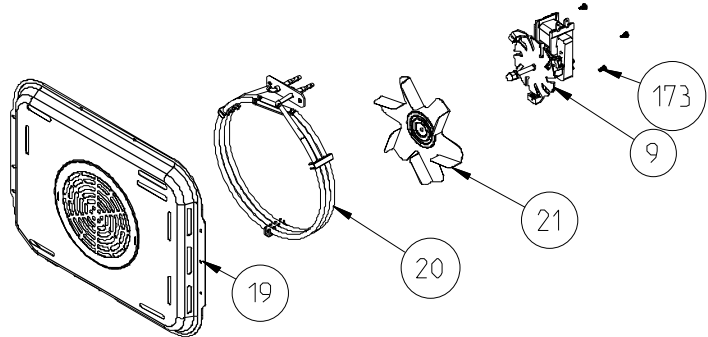
**GRID
(OPTIONAL)**



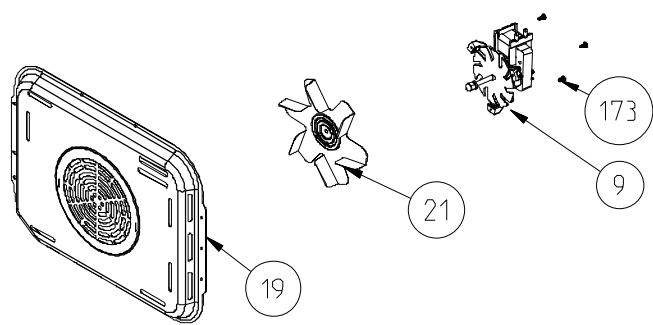
**TRUNSPIT
(OPTIONAL)**



**TOP AND HEATING GRILL ELEMENT
(OPTIONAL)**



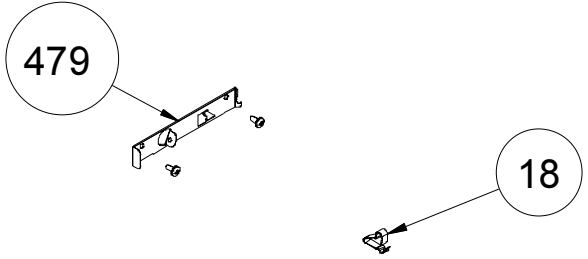
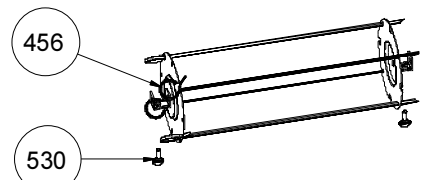
RING HEATING ELEMENT WITH FAN (OPTIONAL)

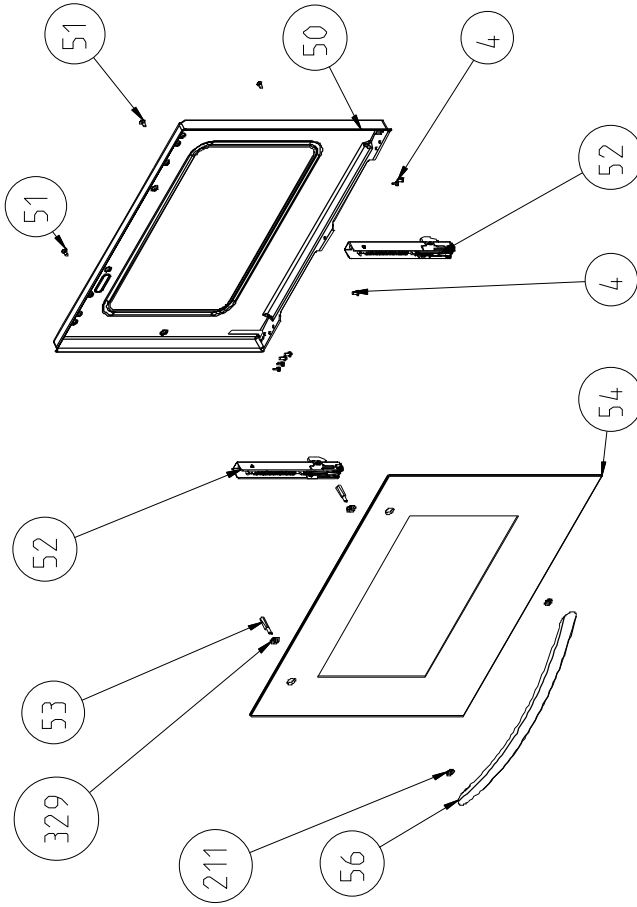


**FAN COVER/FAN IMPELLER (6 WINGS)FAN MOTOR
(OPTIONAL)**

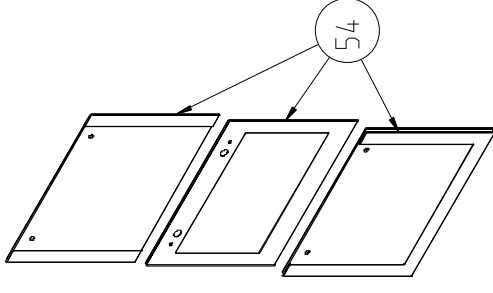
SHISH KEBAB ACCESSORY (OPTIONAL)

THERMOSTAT BULB HOLDER BRACKET

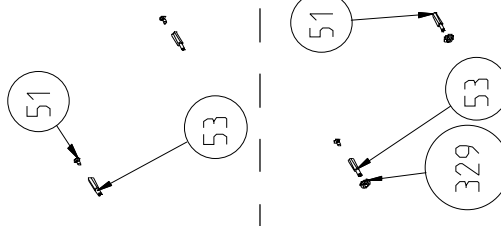




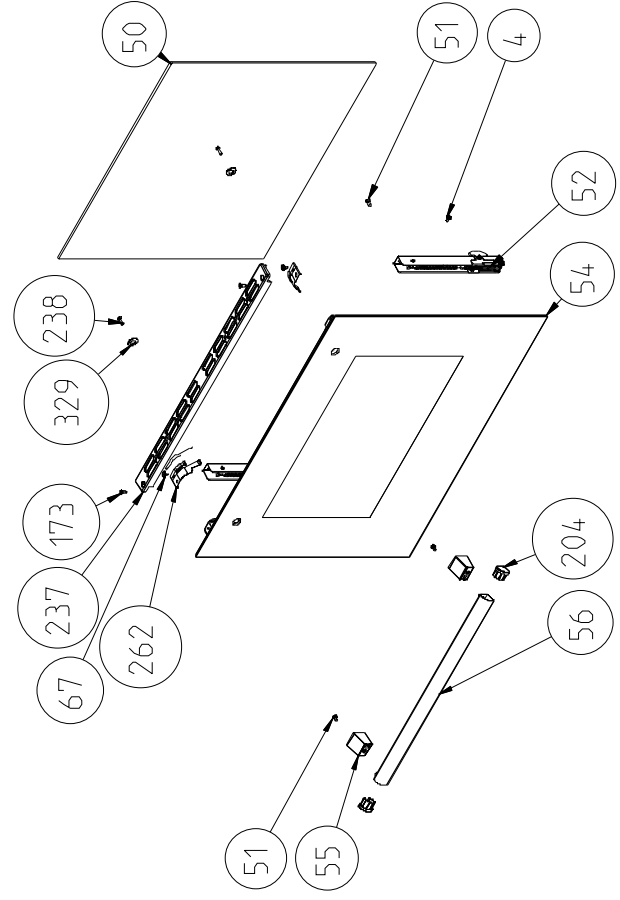
**OVEN DOOR ASSEMBLY (OUTER & INNER)
(POSITION NO 378)**



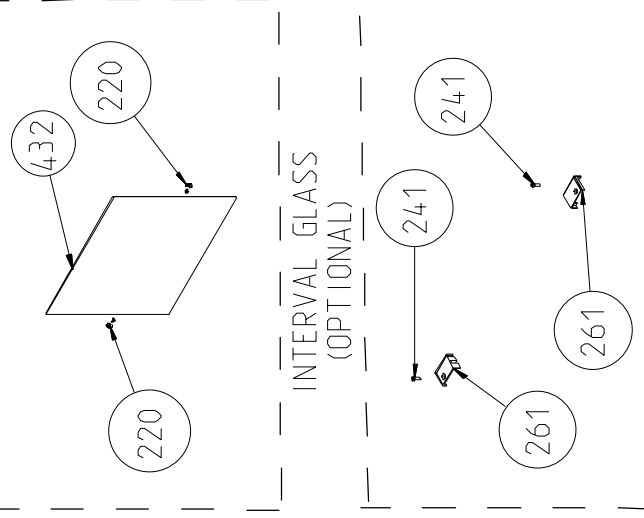
**OVEN DOOR OUTER
GLASS ASSEMBLY WITH
INOX ADD-ON TYPES
(OPTIONAL)**



**HANDLE ASSEMBLY
GROUP
(POSITION NO 49)
(OPTIONAL)**



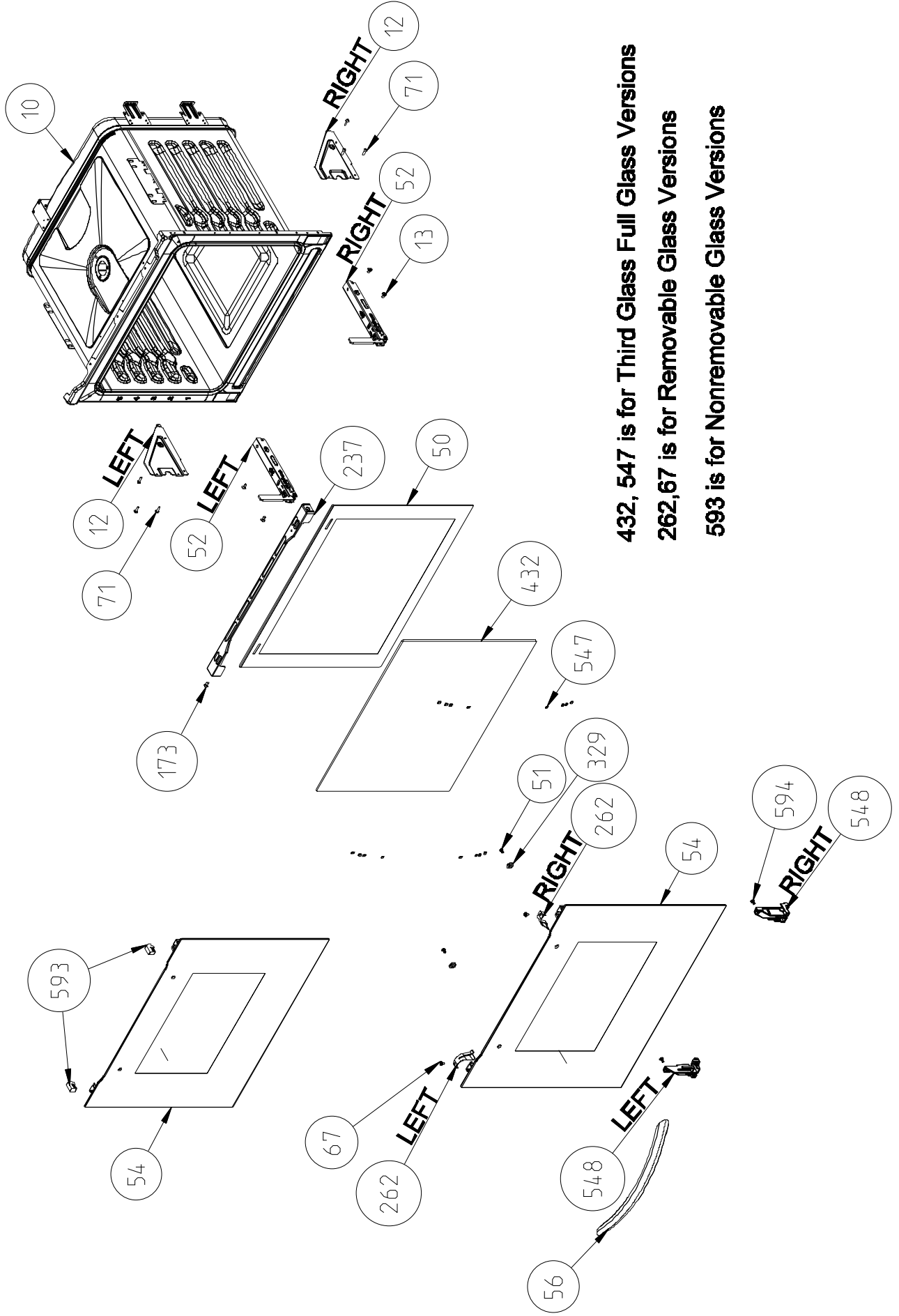
**FLAT OVEN DOOR WITH FULL GLASS STRUCTURE (POSITION NO 377)
(OPTIONAL)**



**OVEN DOOR TOP PANEL PARTS
(OPTIONAL)**

**INTERVAL GLASS
(OPTIONAL)**

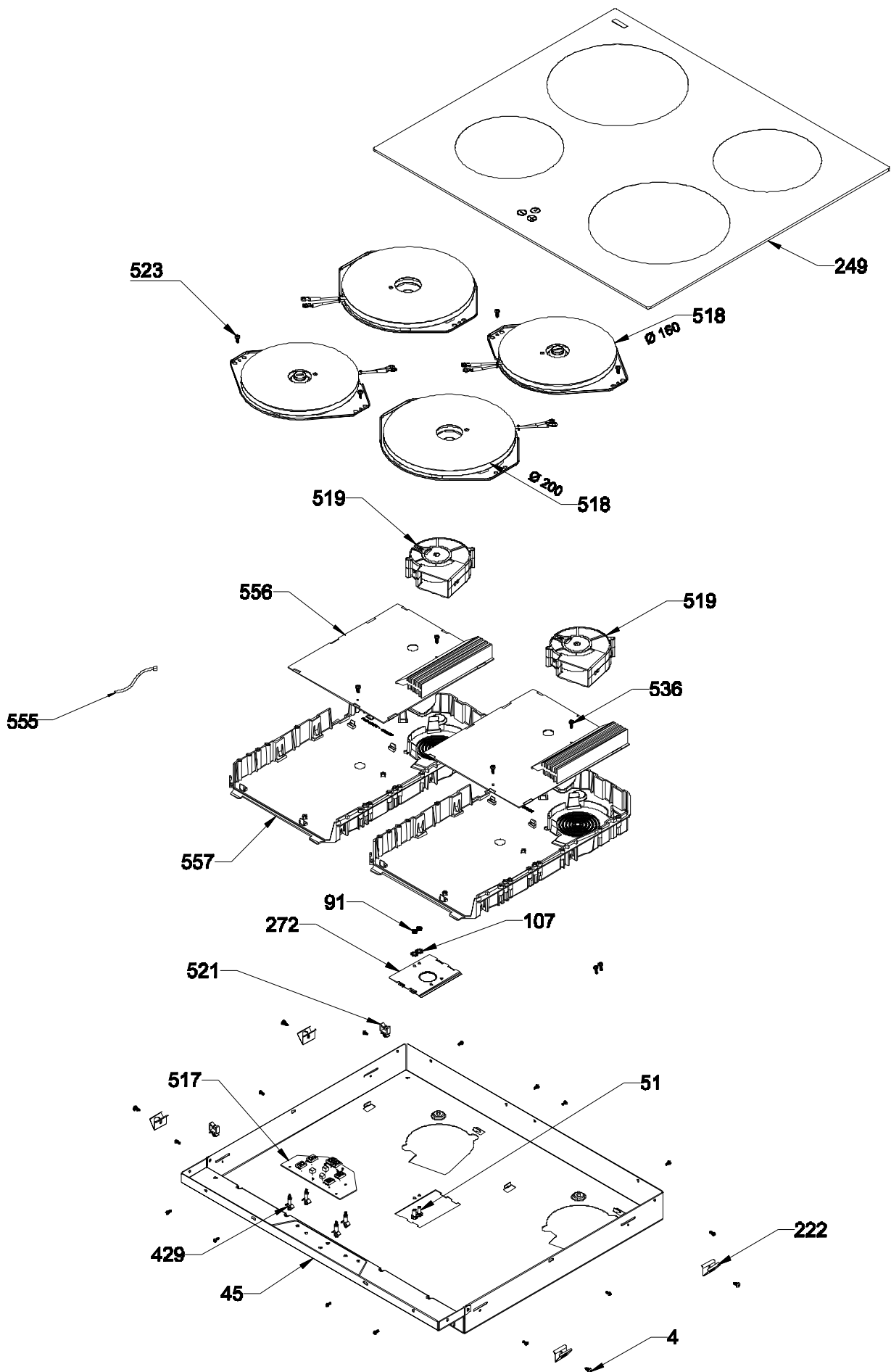
BUILT-IN OVEN FULL GLASS OVEN DOOR

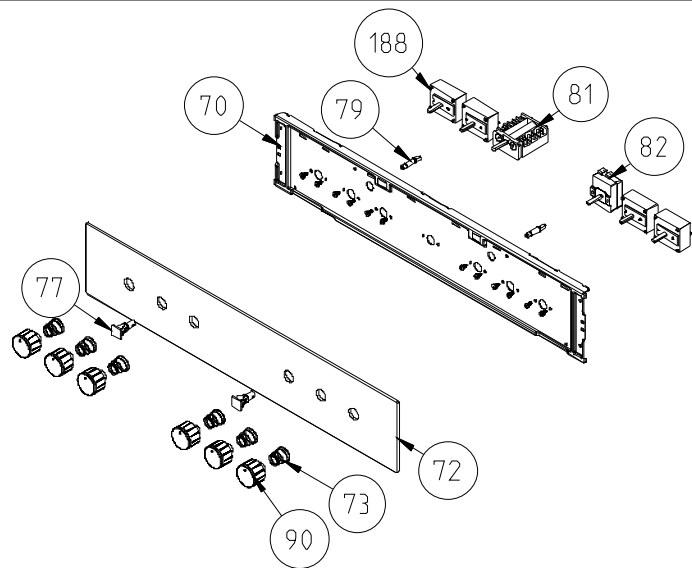


432, 547 is for Third Glass Full Glass Versions

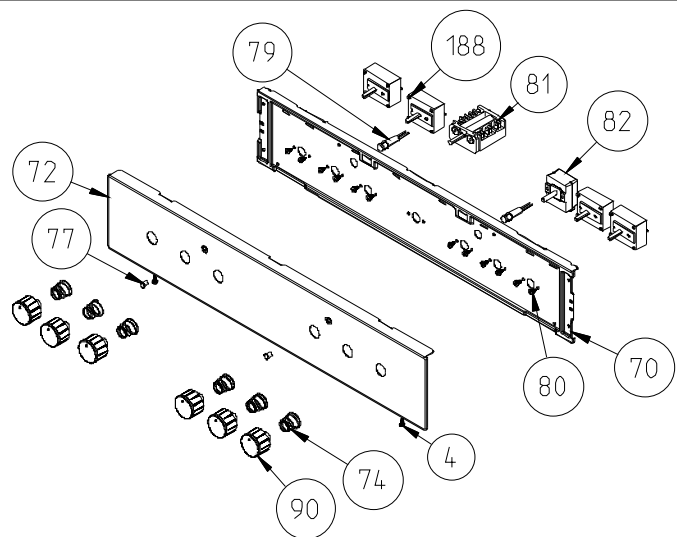
262,67 is for Removable Glass Versions

593 is for Nonremovable Glass Versions

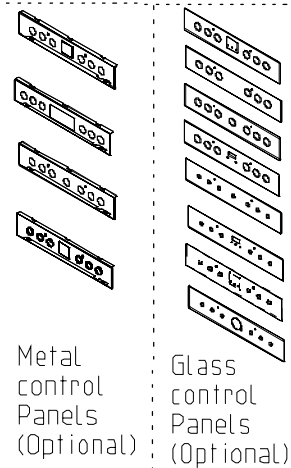




GLASS CONTROL PANEL ASSEMBLY (OPTIONAL)

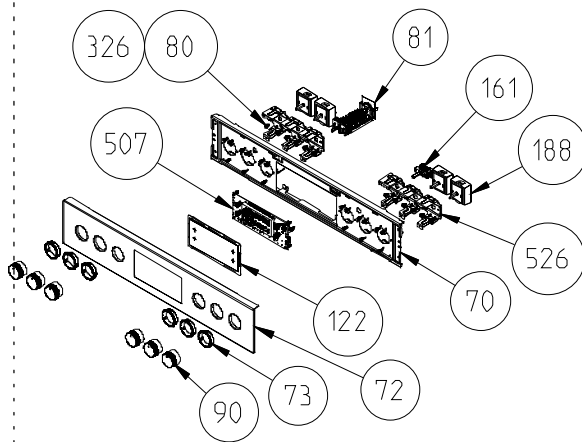


METAL CONTROL PANEL ASSEMBLY (OPTIONAL)

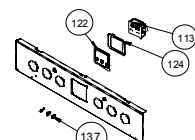


Metal control Panels (Optional)

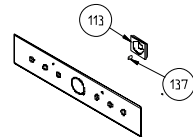
Glass control Panels (Optional)



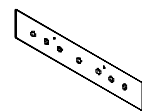
VISIO TOUCH CONTROL PANEL ASSEMBLY (OPTIONAL)



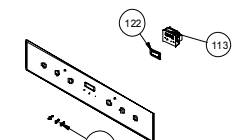
Digital timer (optional)



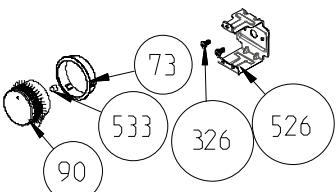
Analog timer (optional)



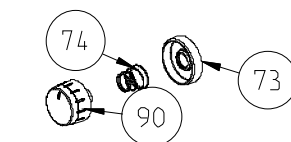
Mechanic timer (optional)



Digital timer (optional)



POP-IN POP-OUT KNOB (OPTIONAL)

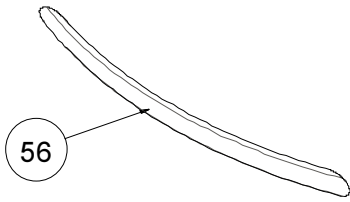


KNOB/KNOB RING/KNOB SPRING (optional)

CONTROL PANEL SPARE PART LIST	
POS NO	PART NAME
4	SCREW (KNURLED,3.9*9.5)
70	INNER PANEL
72	FRONT PANEL GROUP (GLASS / METAL)
73	KNOB RING
74	KNOB SPRING
77	SIGNAL LAMP LENS
78	CHILD LOCK
79	SIGNAL LAMP BODY
80	ELECTRICAL COMPONENT CONTACT SREW
81	FUNCTION SELECTOR SWITCH (OVEN / HOB)
82	CAPILLARY THERMOSTAT
90	KNOB
113	TIMER (ANALOG/DIGITAL/MECHANIC)
122	LENS
124	TIMER HOLDER (ONLY FOR METAL CONTROL PANEL)
137	TIMER BUTTON
161	ENCODER
188	ENERGY REGULATOR
326	SCREW (KNURLED M4x8)
507	VISIO TOUCH
526	POP IN BRACKET ASSEMBLY
533	KNOB FEED GASKET (SHORT)

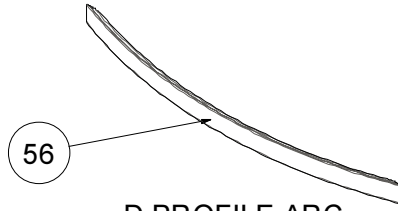
"The exploded views given in this document are generic.They include all possible versions of the product.For specific part codes,please refer to the bom list of regarding model."

OVEN DOOR HANDLES (OPTIONAL)
HANDLES WITHOUT TAP & BRACKET



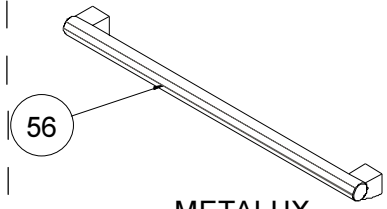
56

ELLIPSE ARC



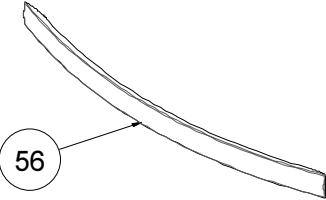
56

D PROFILE ARC



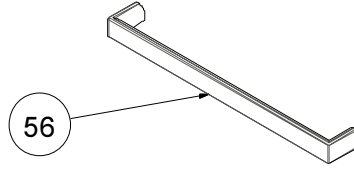
56

METALUX



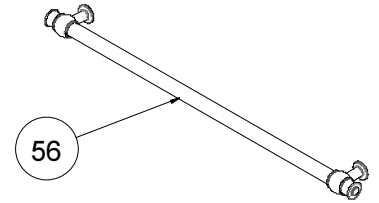
56

D PROFILE ARC, ELECTROLUX
(ONLY FOR FS - OPTIONAL)



56

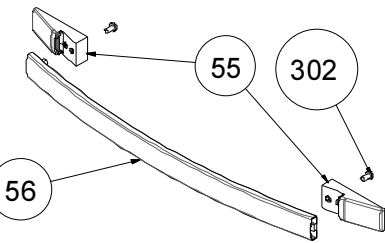
FNP (ONLY FOR BUILT-IN -
OPTIONAL)



56

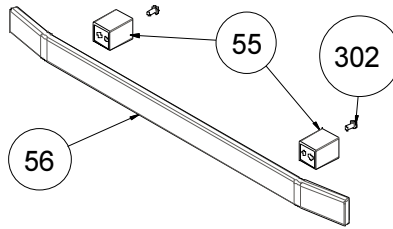
RUSTIC

HANDLES WITH BRACKET



56

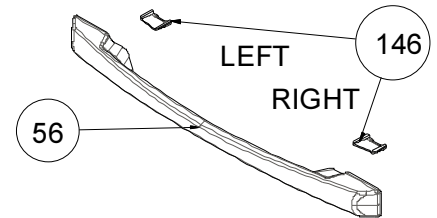
ARC QUADRANGLE



56

3D QUADRANGLE (ONLY FOR
FS/ NEW G/ BUILT-IN - OPTIONAL)

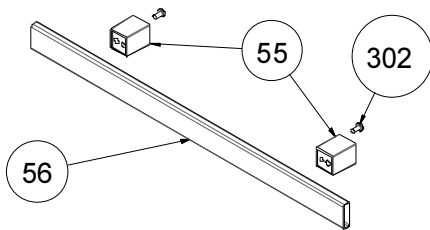
HANDLES WITH TUNNEL TAP



56

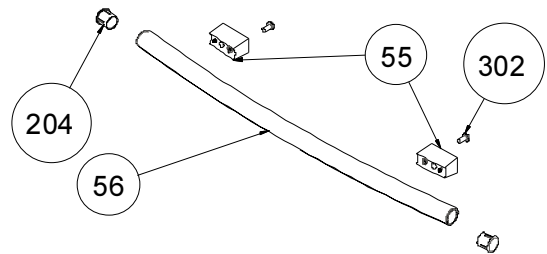
NO FAN TYPE (ONLY FOR
BUILT-IN - OPTIONAL)

HANDLES WITH TAP & BRACKET



56

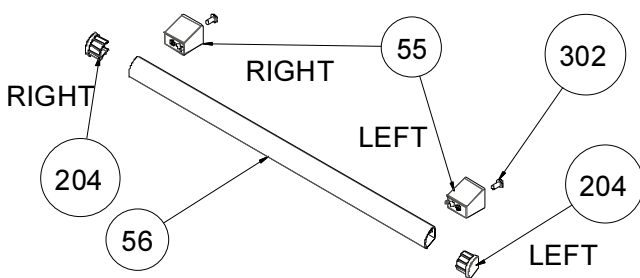
FLAT QUADRANGLE
(ONLY FOR FS/ NEW G/ BUILT-IN - OPTIONAL)



204

56

ARC TUBE



RIGHT

RIGHT

LEFT

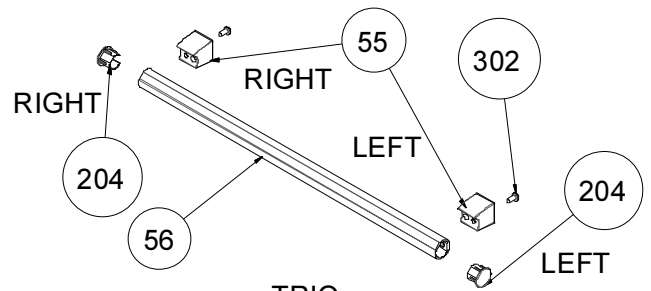
302

204

LEFT

56

FLAT SLICE



RIGHT

RIGHT

LEFT

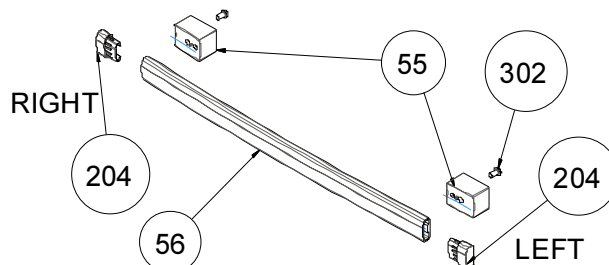
302

204

LEFT

56

TRIO



RIGHT

204

56

55

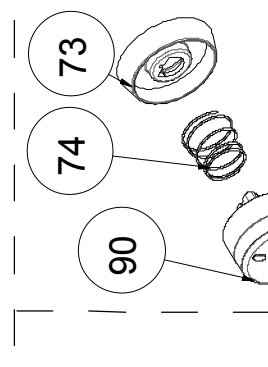
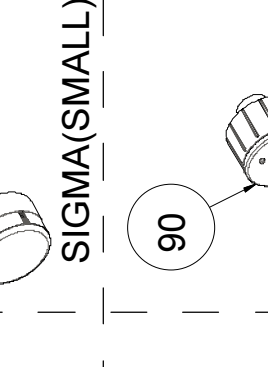
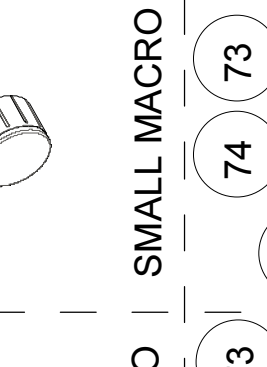
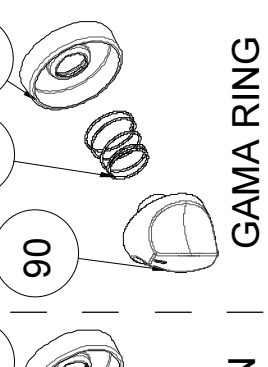
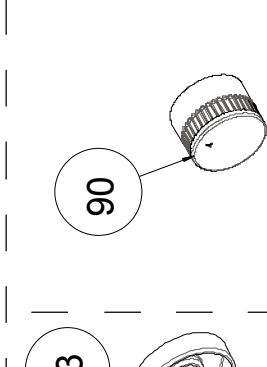

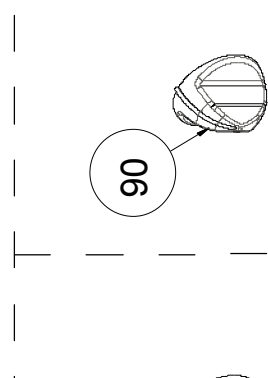
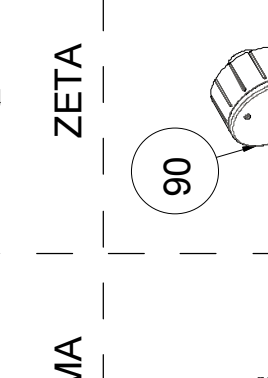
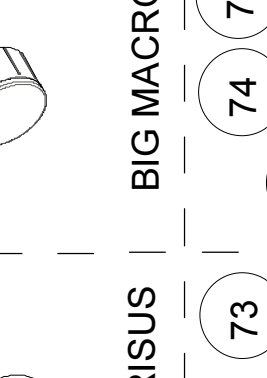
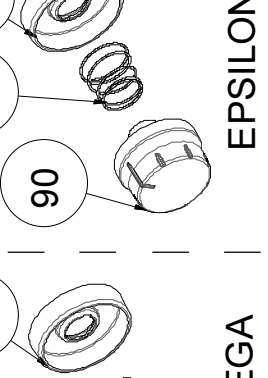
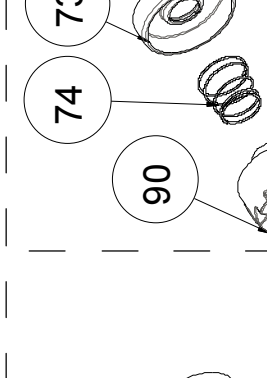

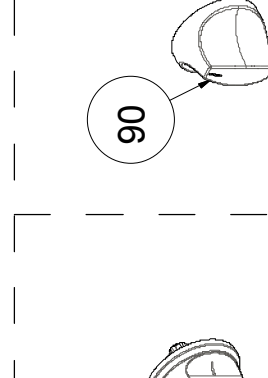
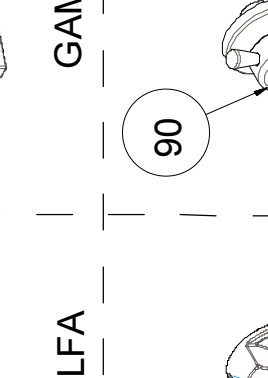
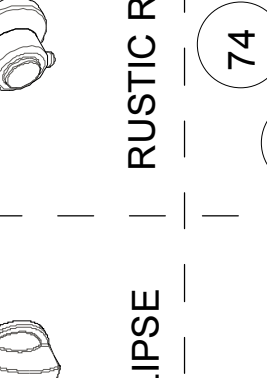
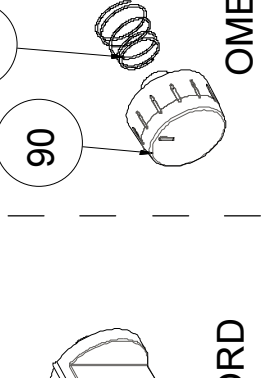
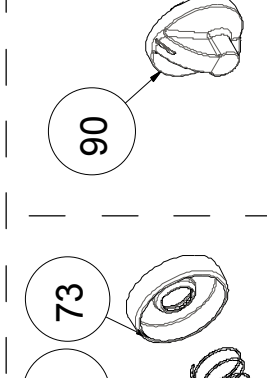

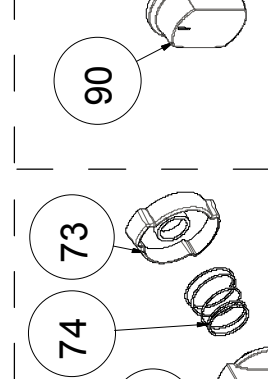
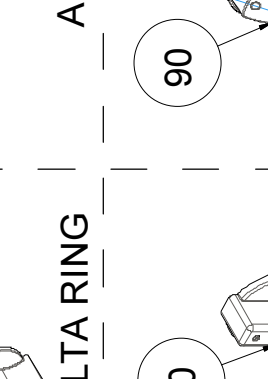
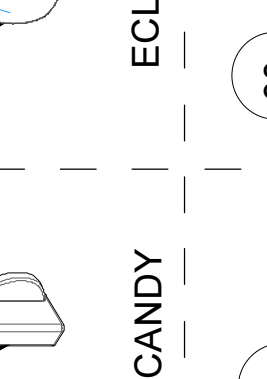
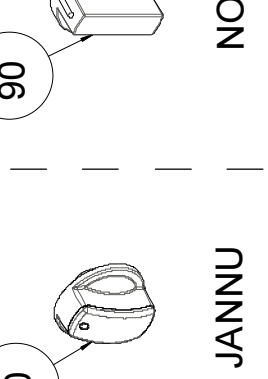
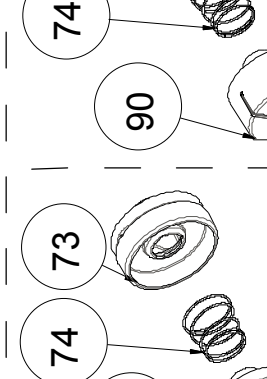
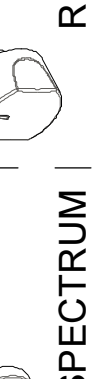
302

204

LEFT

CURVED QUADRANGLE

KNOBBS (ONLY FOR BUILT-IN - OPTIONAL)

					
DELTA	ZETA	GAMA	ALFA	DELTA RING	SIGMA(SMALL)
					
TRIO	BIG MACRO	RUSTIC RISUS	ECLIPSE	CANDY	SMALL MACRO
					
VESTA	EPSILON	OMEGA	NORD	JANNU	GAMA RING
					
ECLIPSE RING	ANTERO	VARIO	RIMO	SPECTRUM	POP-IN