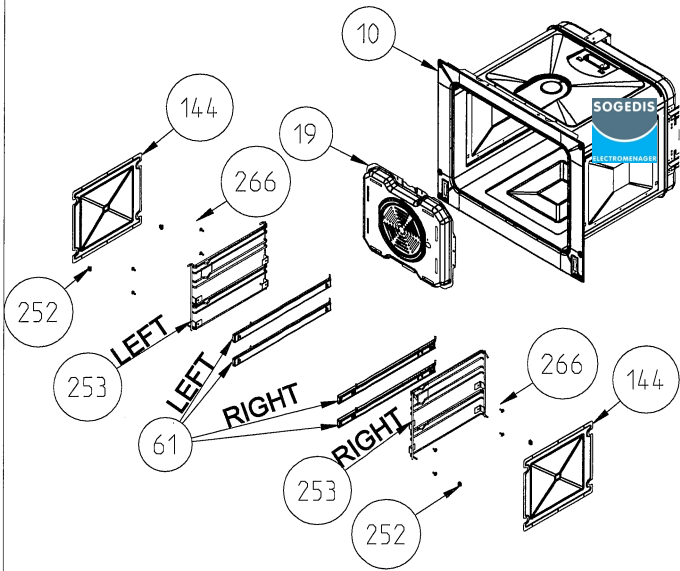
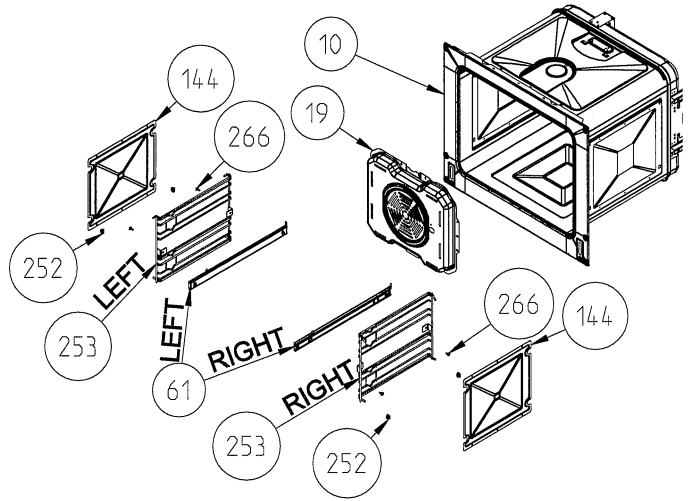


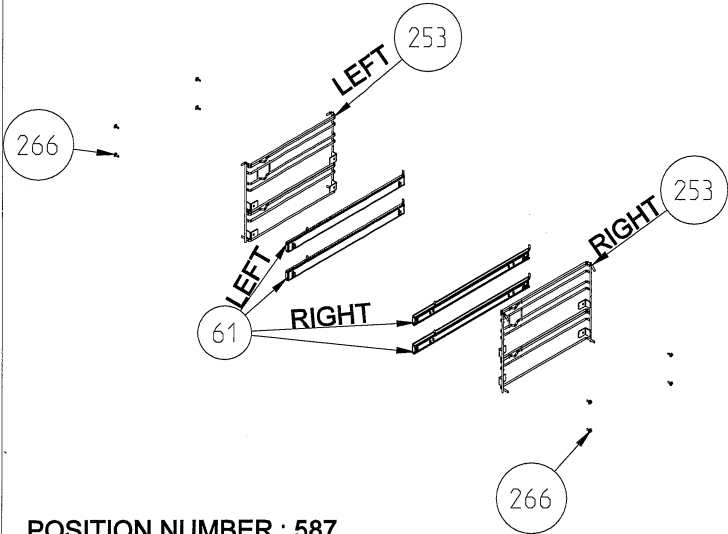
WIRE SHELF CAVITY ASSEMBLY WITH / WITHOUT CATALYTIC PANEL (OPTIONAL)



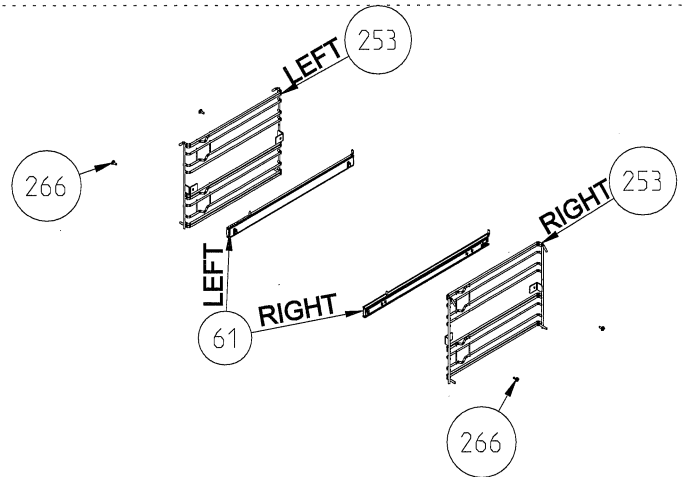
WIRE SHELF CAVITY ASSEMBLY
WITH/ WITHOUT CATALYTIC PANEL
OPTIONAL:DOUBLE TELESCOPIC RAIL (R / L)



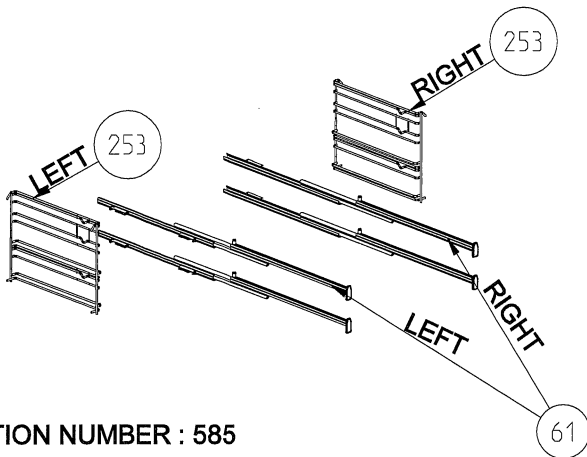
WIRE SHELF CAVITY ASSEMBLY
WITH/ WITHOUT CATALYTIC PANEL
OPTIONAL:TELESCOPIC RAIL (R / L)



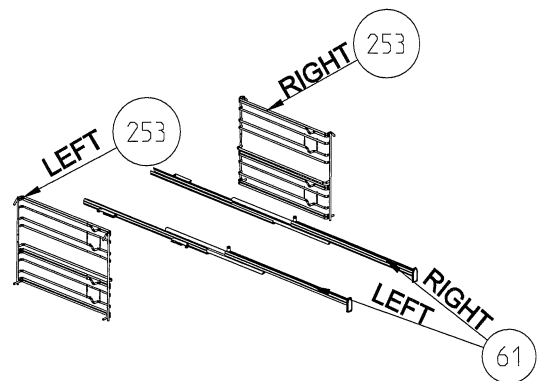
POSITION NUMBER : 587
WIRE SHELF (SINGLE EXTENSION)
OPTIONAL:DOUBLE TELESCOPIC RAIL (R / L) GROUP



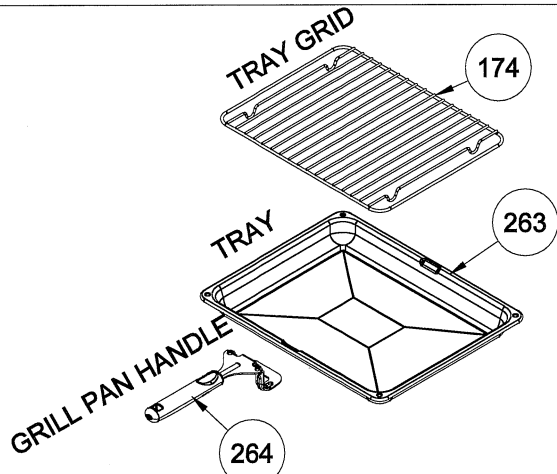
POSITION NUMBER :588
WIRE SHELF (SINGLE EXTENSION)
OPTIONAL: SINGLE TELESCOPIC RAIL (R / L) GROUP



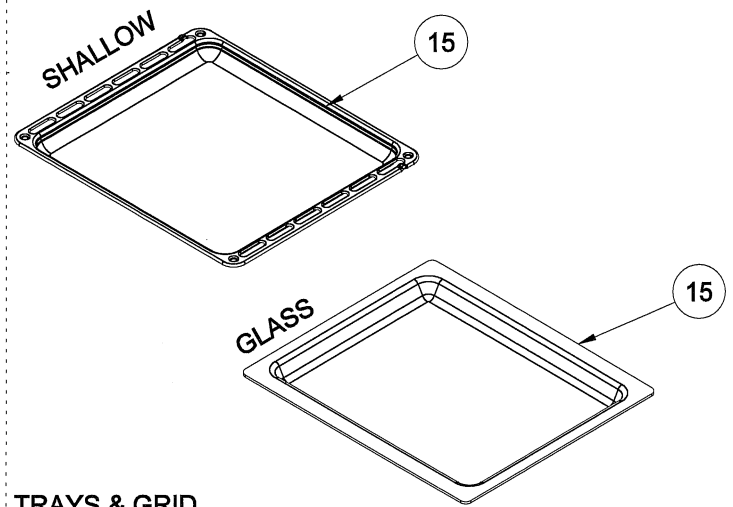
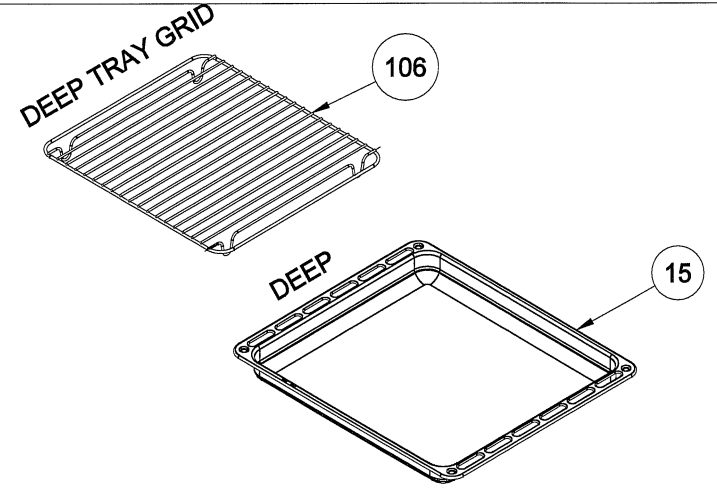
POSITION NUMBER : 585
WIRE SHELF (FULL EXTENSION)
OPTIONAL:DOUBLE TELESCOPIC RAIL (R / L) GROUP



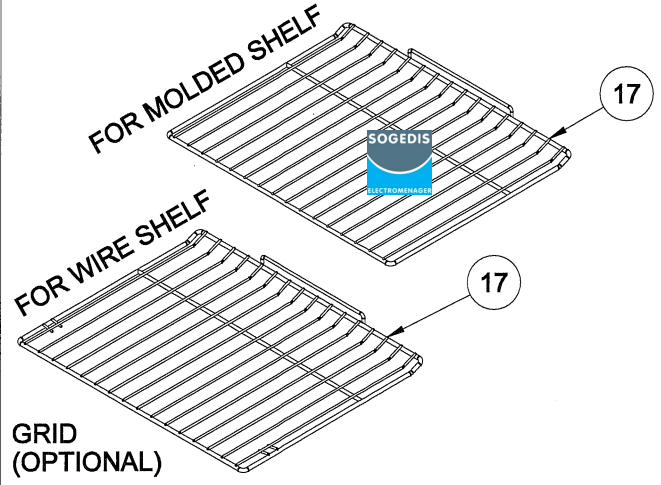
POSITION NUMBER: 586
WIRE SHELF (FULL EXTENSION)
OPTIONAL: SINGLE TELESCOPIC RAIL (R / L) GROUP



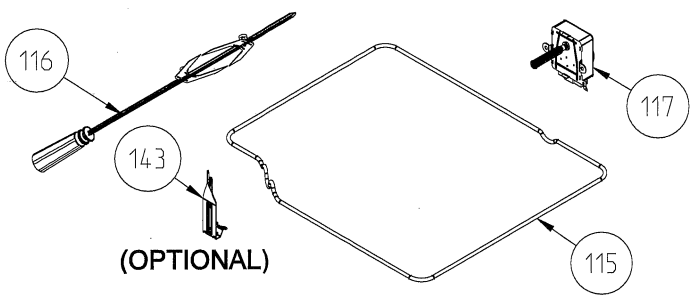
GRILL PAN AND HANDLE SET
(TRAY SET FOR GRILL)
POSITION NUMBER : 265 (OPTIONAL)



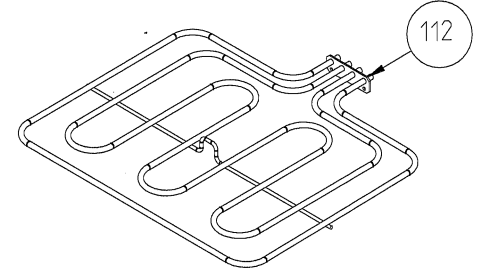
TRAYS & GRID
(OPTIONAL FOR DB.OVEN ELC)



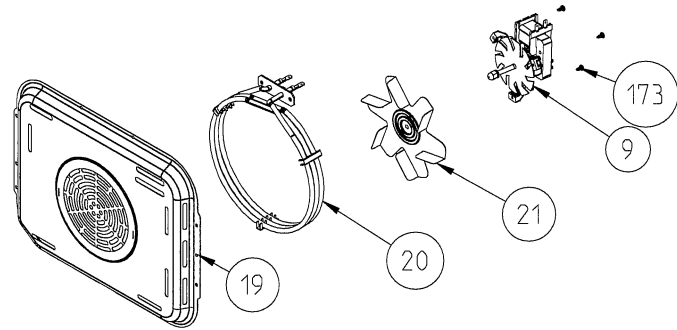
GRID
(OPTIONAL)



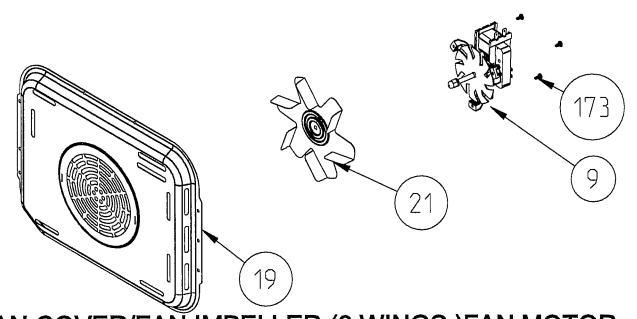
TRUNSPIT
(OPTIONAL)



TOP AND HEATING GRILL ELEMENT
(OPTIONAL)

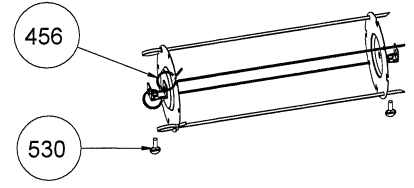


RING HEATING ELEMENT WITH FAN (OPTIONAL)

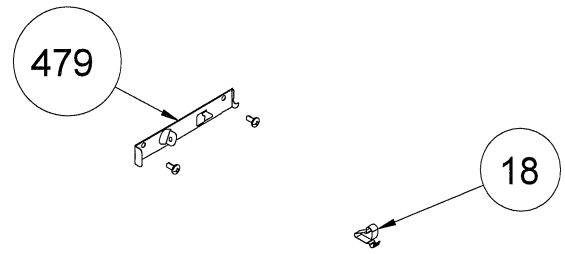


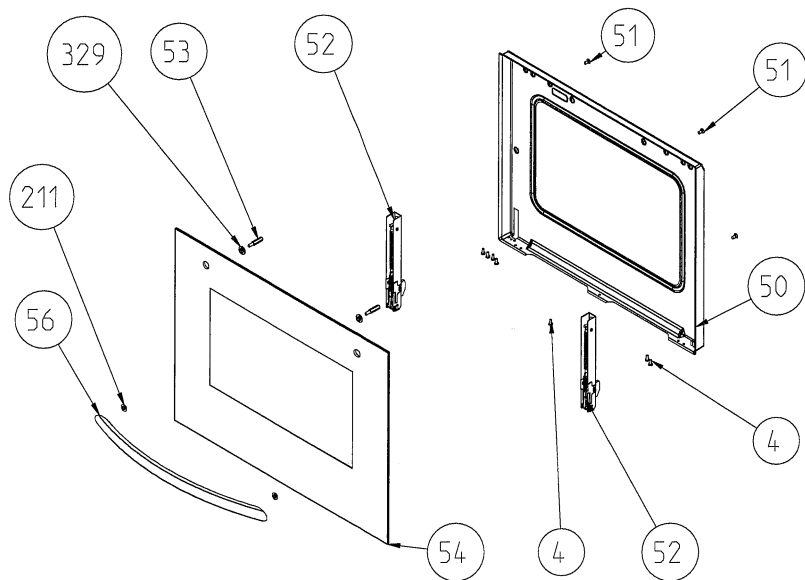
FAN COVER/FAN IMPELLER (6 WINGS) FAN MOTOR
(OPTIONAL)

SHISH KEBAB ACCESSORY (OPTIONAL)

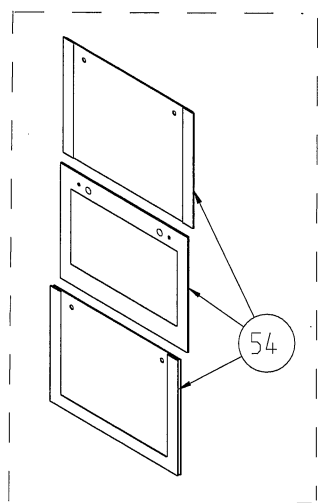


THERMOSTAT BULB HOLDER BRACKET

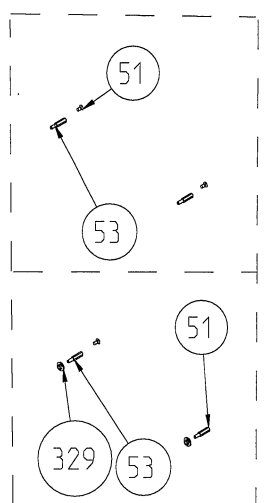




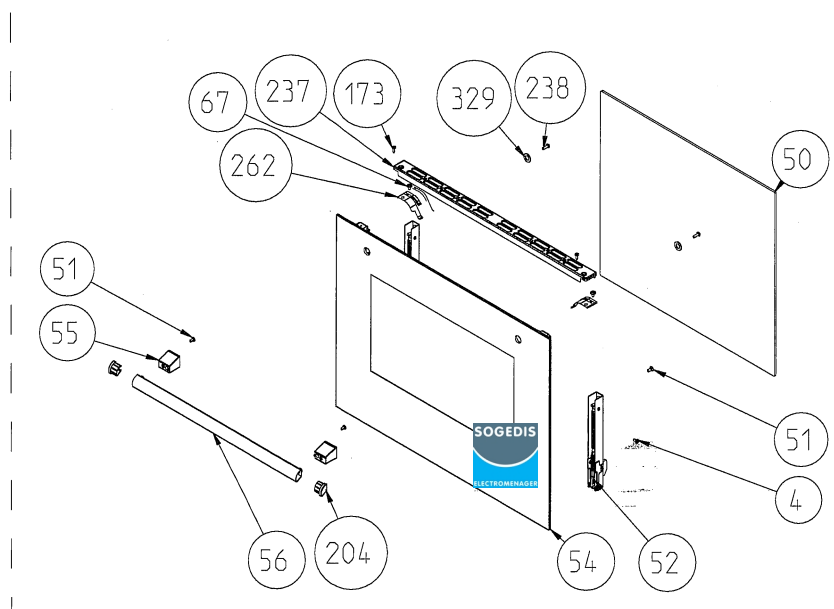
**OVEN DOOR ASSEMBLY (OUTER & INNER)
(POSITION NO 378)**



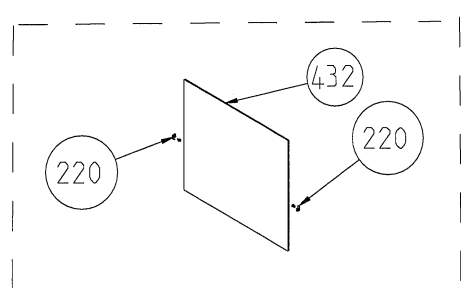
**OVEN DOOR OUTER
GLASS ASSEMBLY WITH
INOX ADD-ON TYPES
(OPTIONAL)**



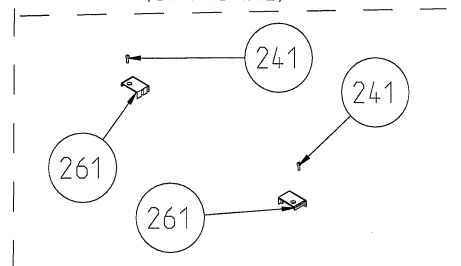
**HANDLE ASSEMBLY
GROUP
(POSITION NO 49)
(OPTIONAL)**



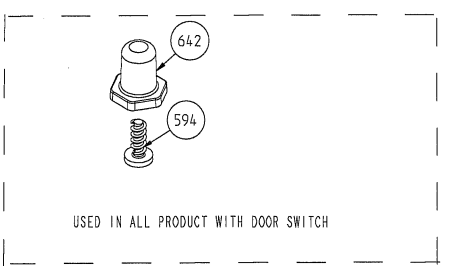
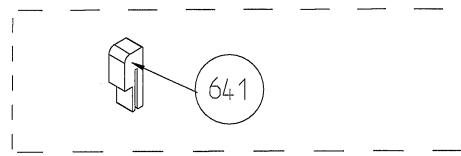
**FLAT OVEN DOOR WITH FULL GLASS STRUCTURE (POSITION NO 377)
(OPTIONAL)**



**INTERVAL GLASS
(OPTIONAL)**



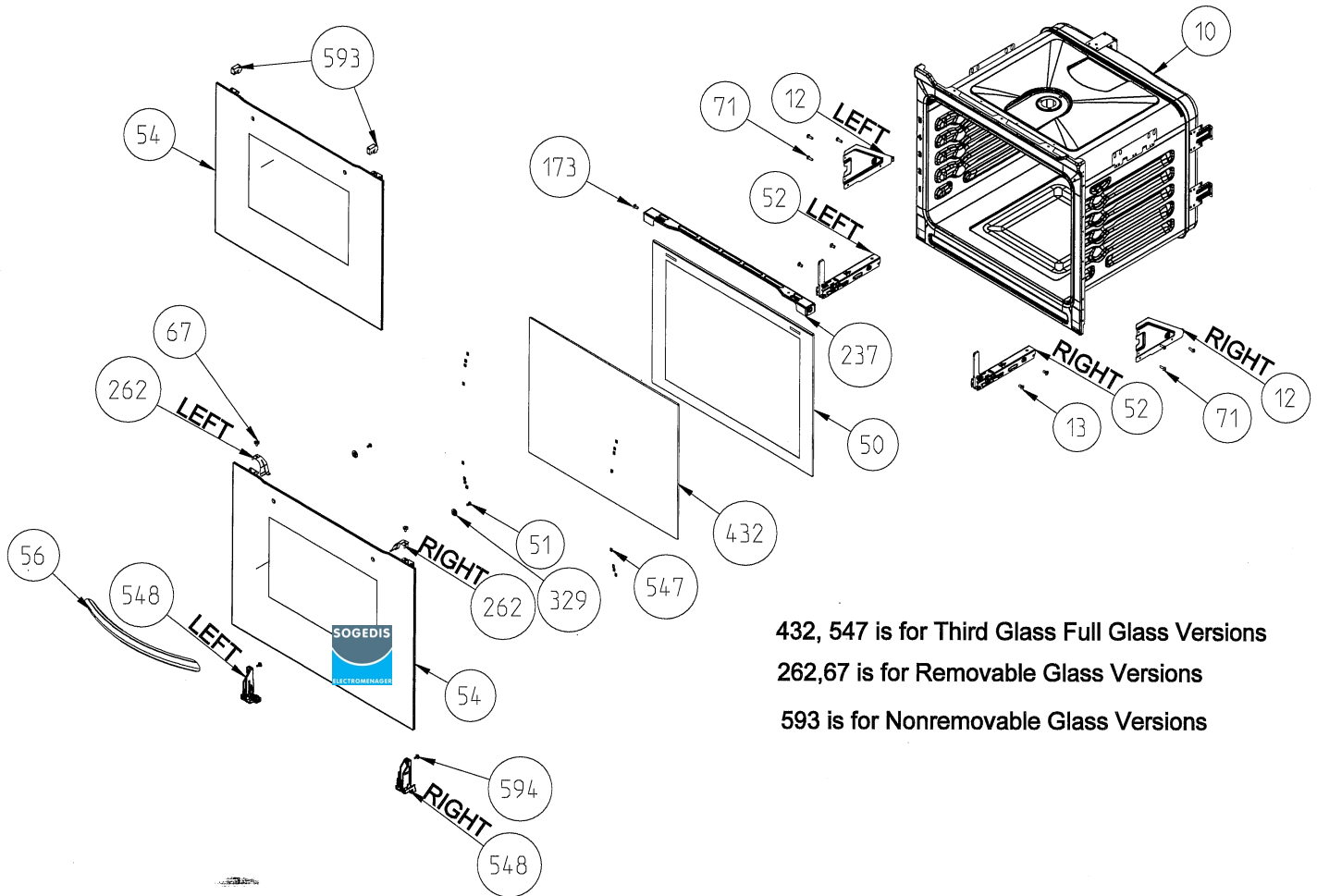
**OVEN DOOR TOP PANEL PARTS
(OPTIONAL)**



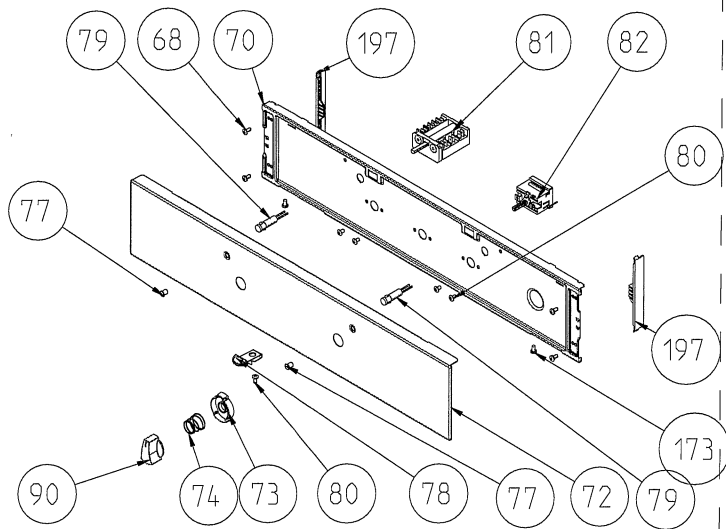
USED IN ALL PRODUCT WITH DOOR SWITCH

*Metal frames on outer glass, handle types, handle taps and brackets are optional.
Your cooker may be different cosmetically.

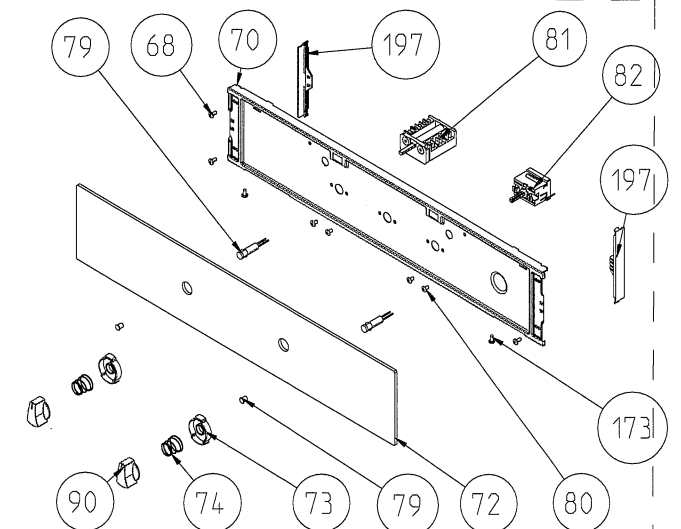
BUILT-IN OVEN FULL GLASS OVEN DOOR



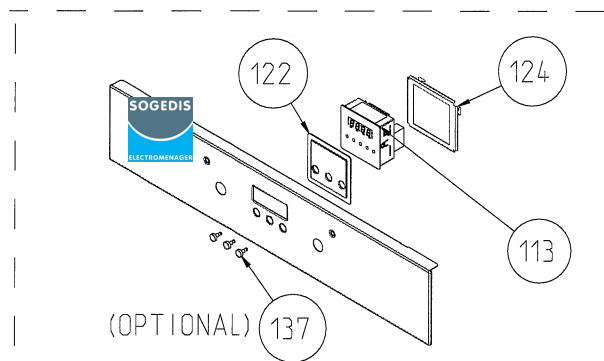
432, 547 is for Third Glass Full Glass Versions
 262,67 is for Removable Glass Versions
 593 is for Nonremovable Glass Versions



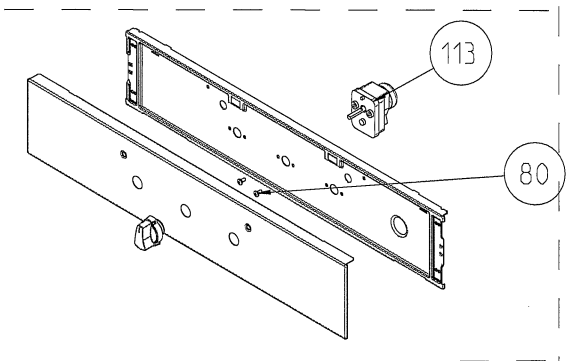
METAL CONTROL PANEL ASSEMBLY



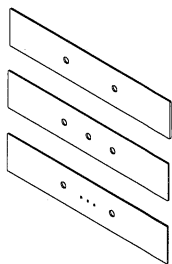
GLASS CONTROL PANEL ASSEMBLY (OPTIONAL)



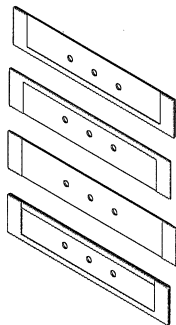
(OPTIONAL) 137
DIGITAL TIMER (OPTIONAL)



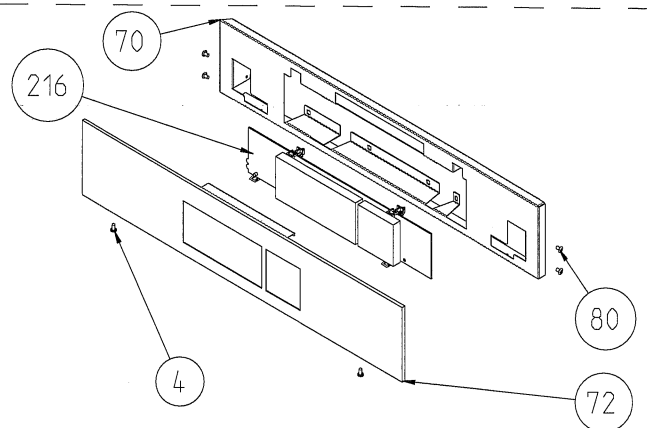
MECHANIC TIMER (OPTIONAL)



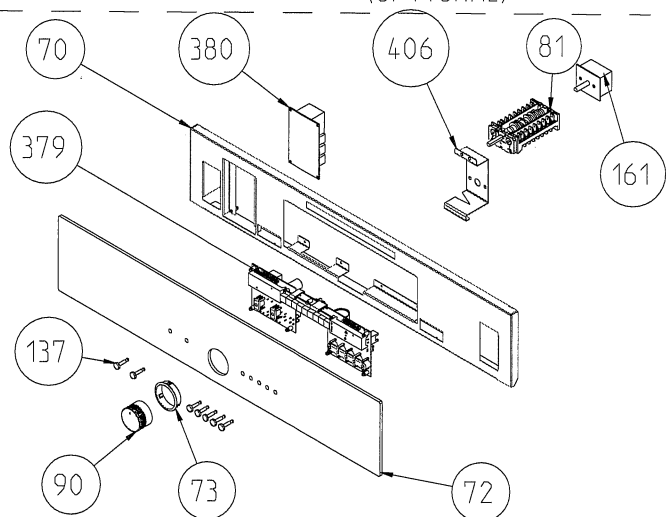
GLASS CONTROL PANELS (OPTIONAL)



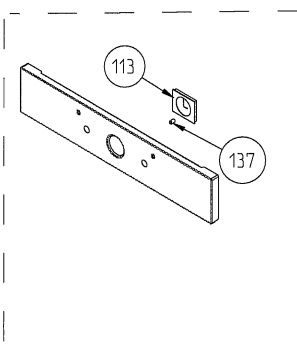
GLASS CONTROL PANELS WITH INOX ADD-ONS (OPTIONAL)



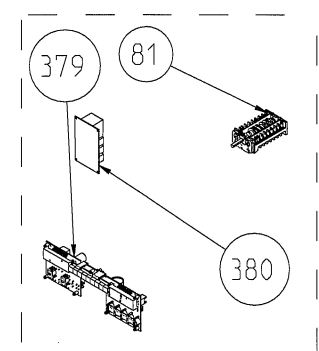
TOUCH CONTROLLED GLASS CONTROL PANEL ASSEMBLY (OPTIONAL)



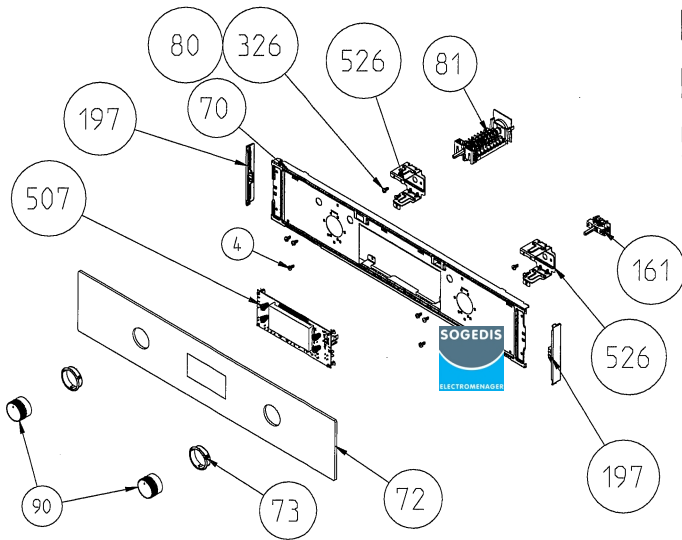
ELECTRONIC TIMERED GLASS CONTROL PANEL ASSEMBLY (OPTIONAL)



ANALOG TIMER (OPTIONAL)

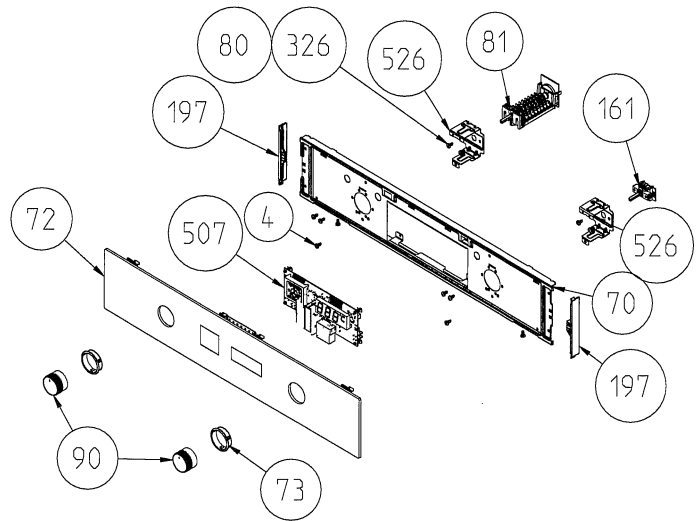


OVEN ELECTRONIC CONTROL GROUP (POSITION NO 381)



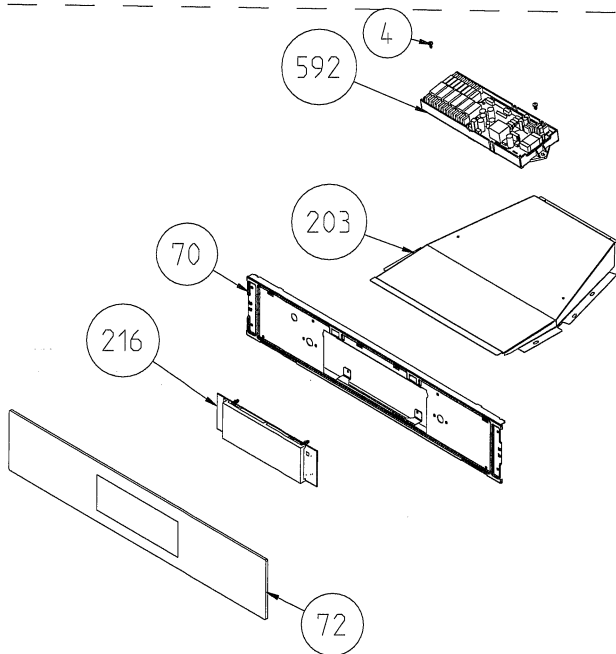
NOTE: The screws shown by the number 326 is used in transparent pipe knobs.

VISO TOUCH TIMERED GLASS CONTROL PANEL ASSEMBLY (OPTIONAL)

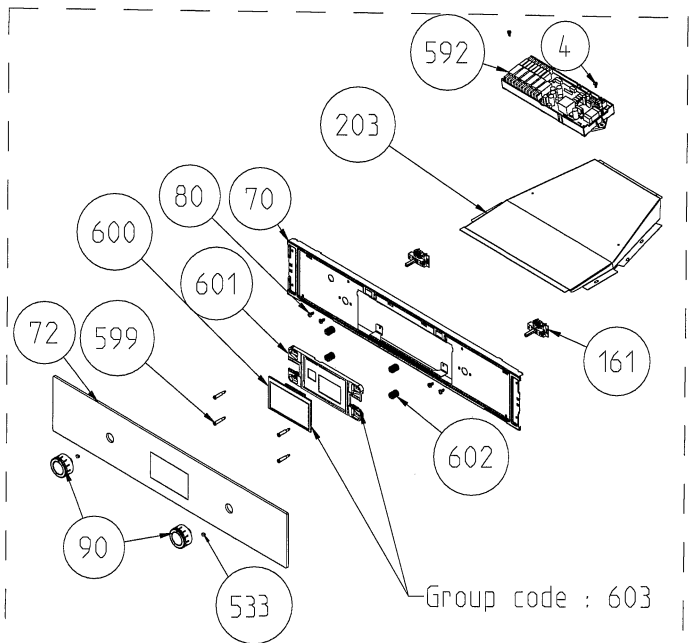


NOTE: The screws shown by the number 326 is used in transparent pipe knobs.

VISO DISPLAY TIMERED GLASS CONTROL PANEL ASSEMBLY (OPTIONAL)



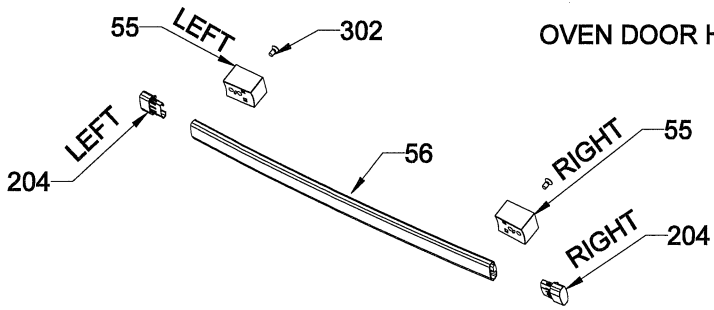
VESTEL FULL TOUCH GLASS CONTROL PANEL ASSEMBLY (OPTIONAL)



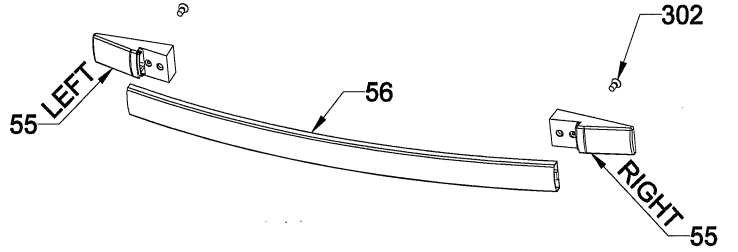
LCD SMART GLASS CONTROL PANEL ASSEMBLY (OPTIONAL)

Group code : 603

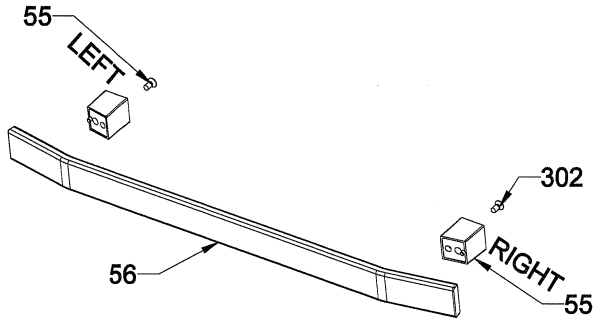
OVEN DOOR HANDLES (OPTIONAL)



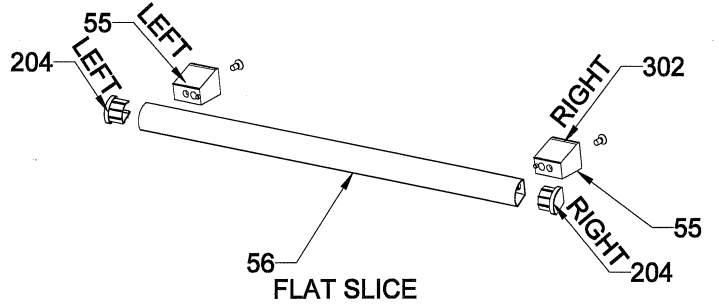
CURVED QUADRANGLE



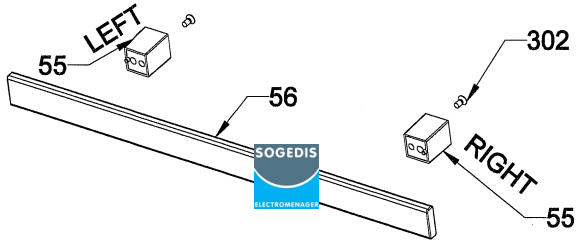
ARC QUADRANGLE



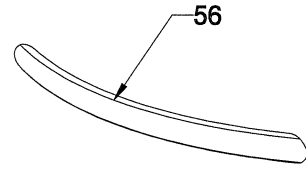
3D QUADRANGLE



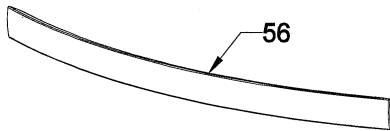
FLAT SLICE



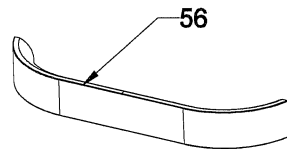
FLAT QUADRANGLE



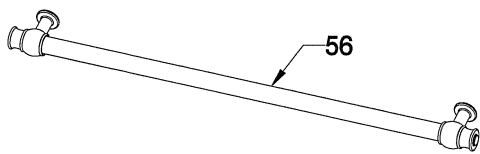
ELLIPSE ARC



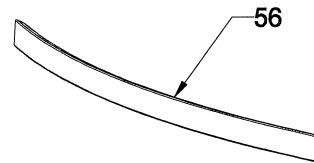
D PROFILE ARC, ELECTROLUX



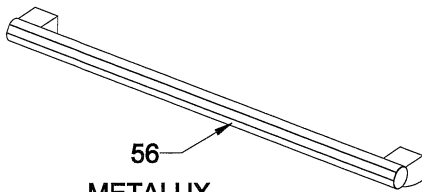
BOW



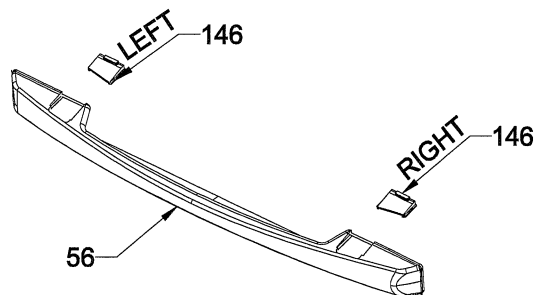
RUSTIK RISUS



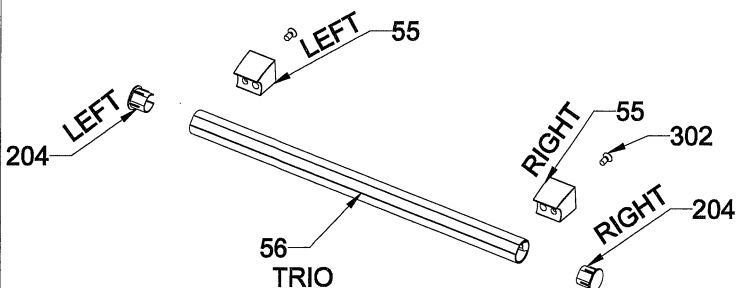
D PROFILE ARC



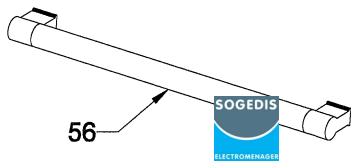
METALUX



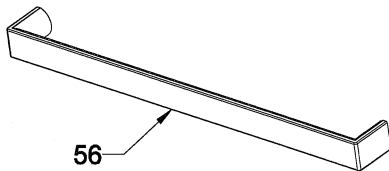
HANDLE WITHOUT FAN



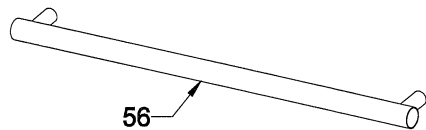
TRIO



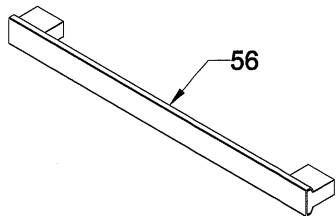
TROY



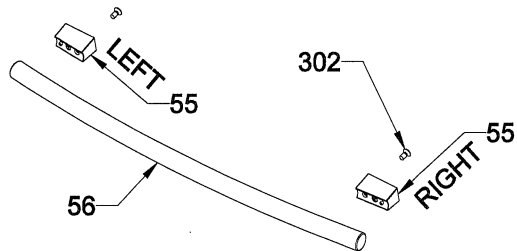
VERO



CYLINDER

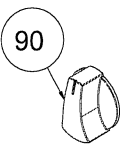
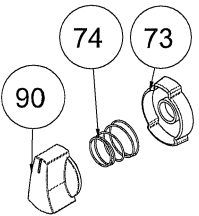
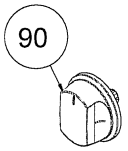
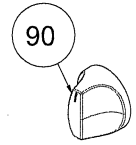
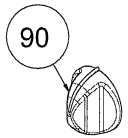
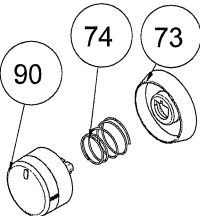
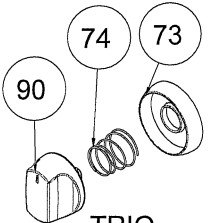
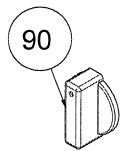
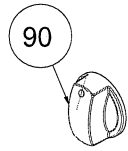
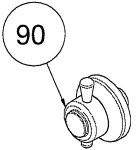
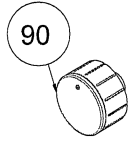
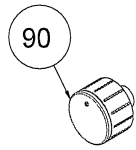
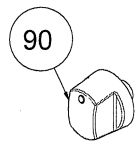
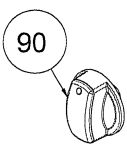
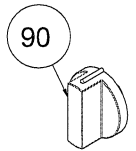
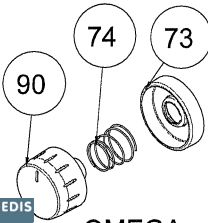
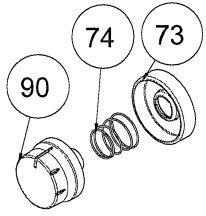
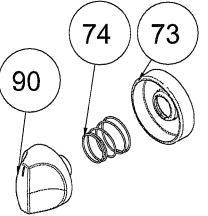
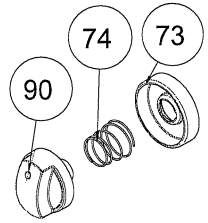
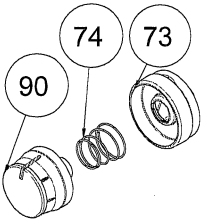
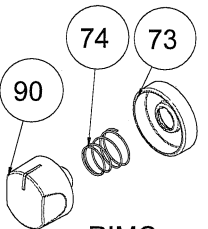
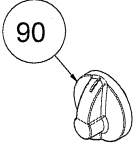
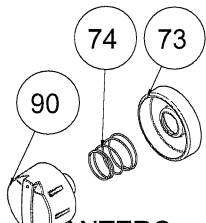
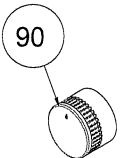


TITAN VESTEL & SHARP ONLY



ARC TUBE

KNOB (ONLY FOR BUILT-IN - OPTIONAL)

 <p>90</p> <p>DELTA</p>	 <p>90 74 73</p> <p>DELTA RING</p>	 <p>90</p> <p>ALFA</p>	 <p>90</p> <p>GAMA</p>	 <p>90</p> <p>ZETA</p>	 <p>90 74 73</p> <p>SIGMA(SMALL)</p>
 <p>90 74 73</p> <p>TRIO</p>	 <p>90</p> <p>CANDY</p>	 <p>90</p> <p>ECLIPSE</p>	 <p>90</p> <p>RUSTIC RISUS</p>	 <p>90</p> <p>BIG MACRO</p>	 <p>90</p> <p>SMALL MACRO</p>
 <p>90</p> <p>VESTA</p>	 <p>90</p> <p>JANNU</p>	 <p>90</p> <p>NORD</p>	 <p>90 74 73</p> <p>OMEGA</p>	 <p>90 74 73</p> <p>EPSILON</p>	 <p>90 74 73</p> <p>GAMA RING</p>
 <p>90 74 73</p> <p>ECLIPSE RING</p>	 <p>90 74 73</p> <p>SPECTRUM</p>	 <p>90 74 73</p> <p>RIMO</p>	 <p>90</p> <p>VARIO</p>	 <p>90 74 73</p> <p>ANTERO</p>	 <p>90</p> <p>POP-IN</p>