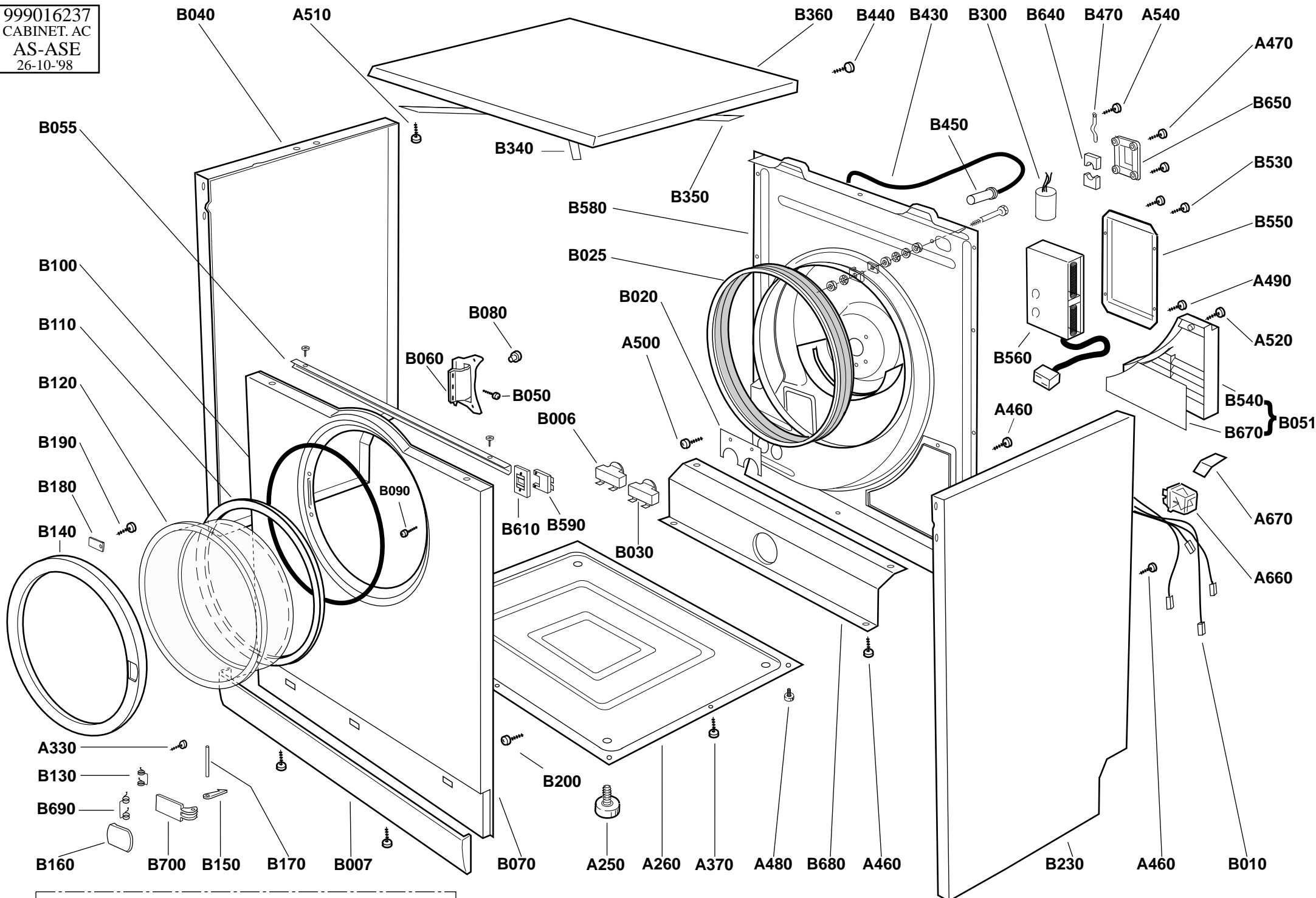
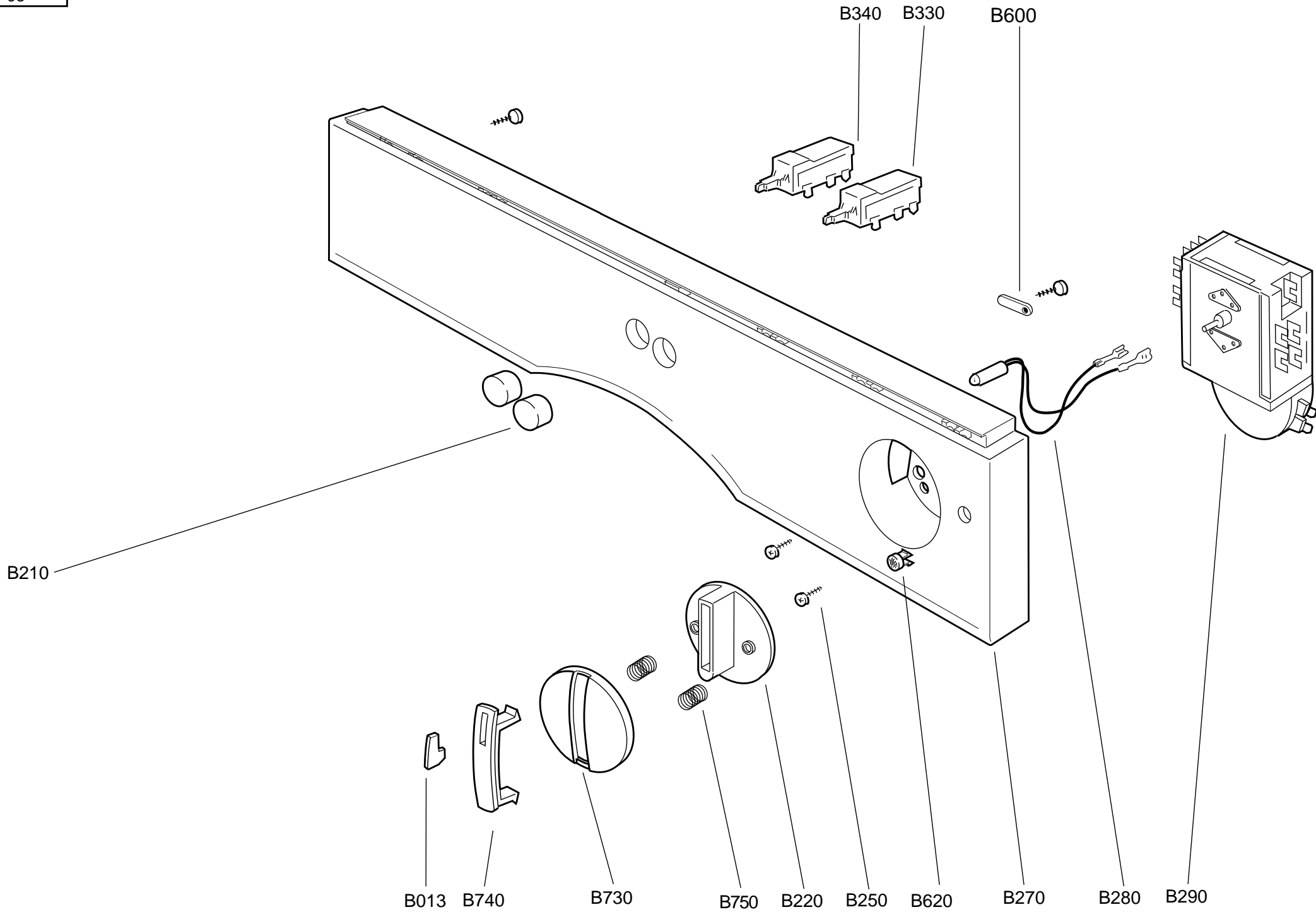


999016237  
 CABINET, AC  
 AS-ASE  
 26-10-'98



B710= { B 130 - B 150 - B 160 - B 170 - B 690 - B 700 }

999016242  
FRONTAL.AC 2P 1L  
AS-ASE  
26-10-'98



999016239  
DRYING GROUP  
AS  
26-10-'98

