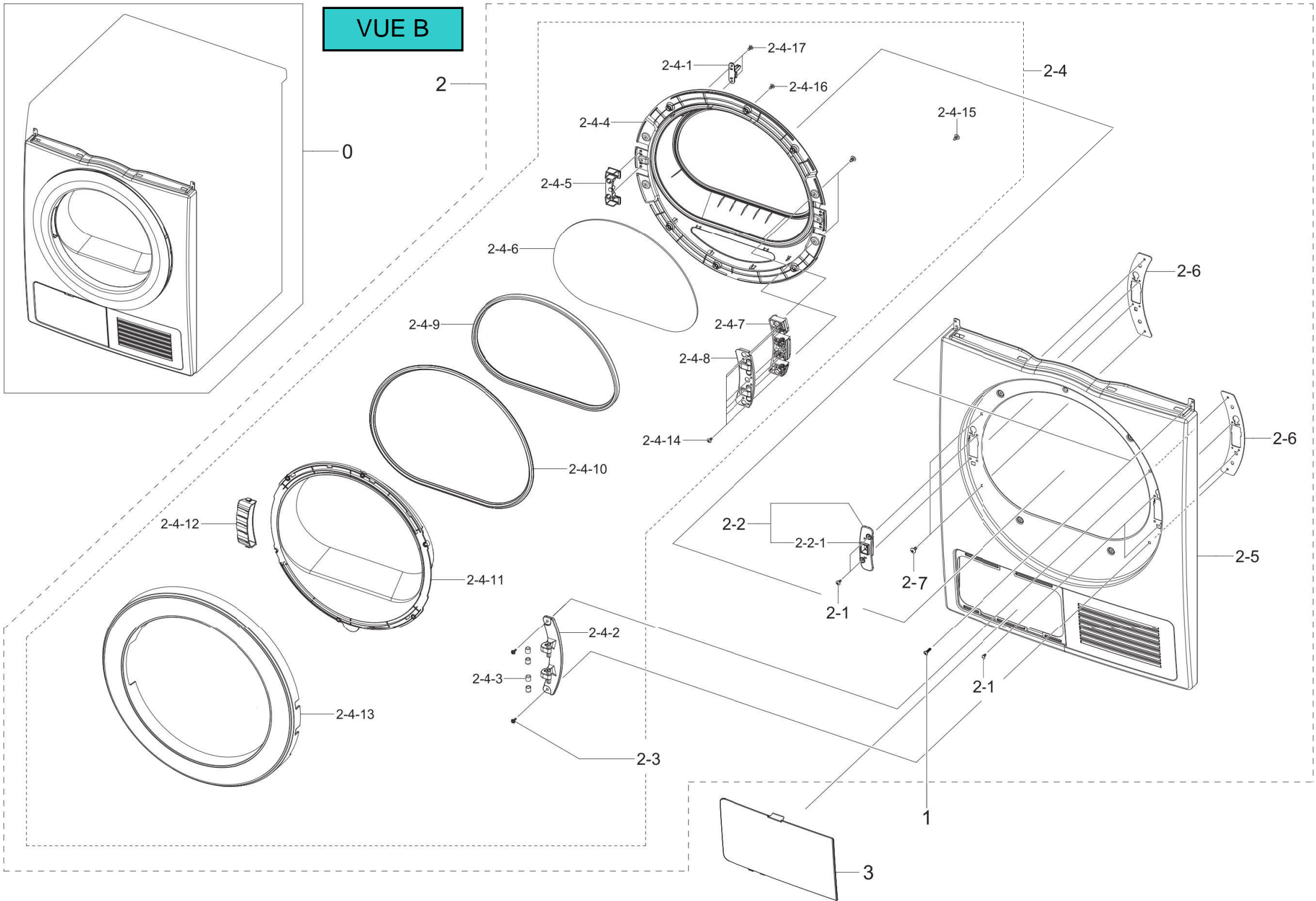
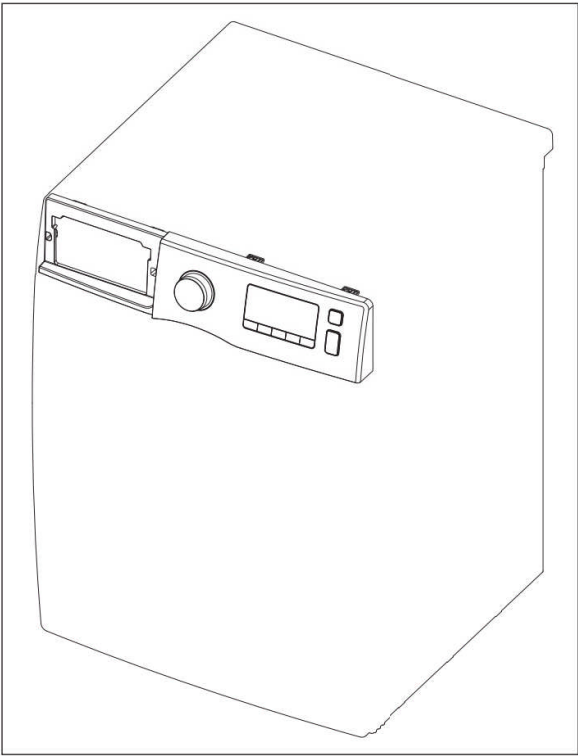


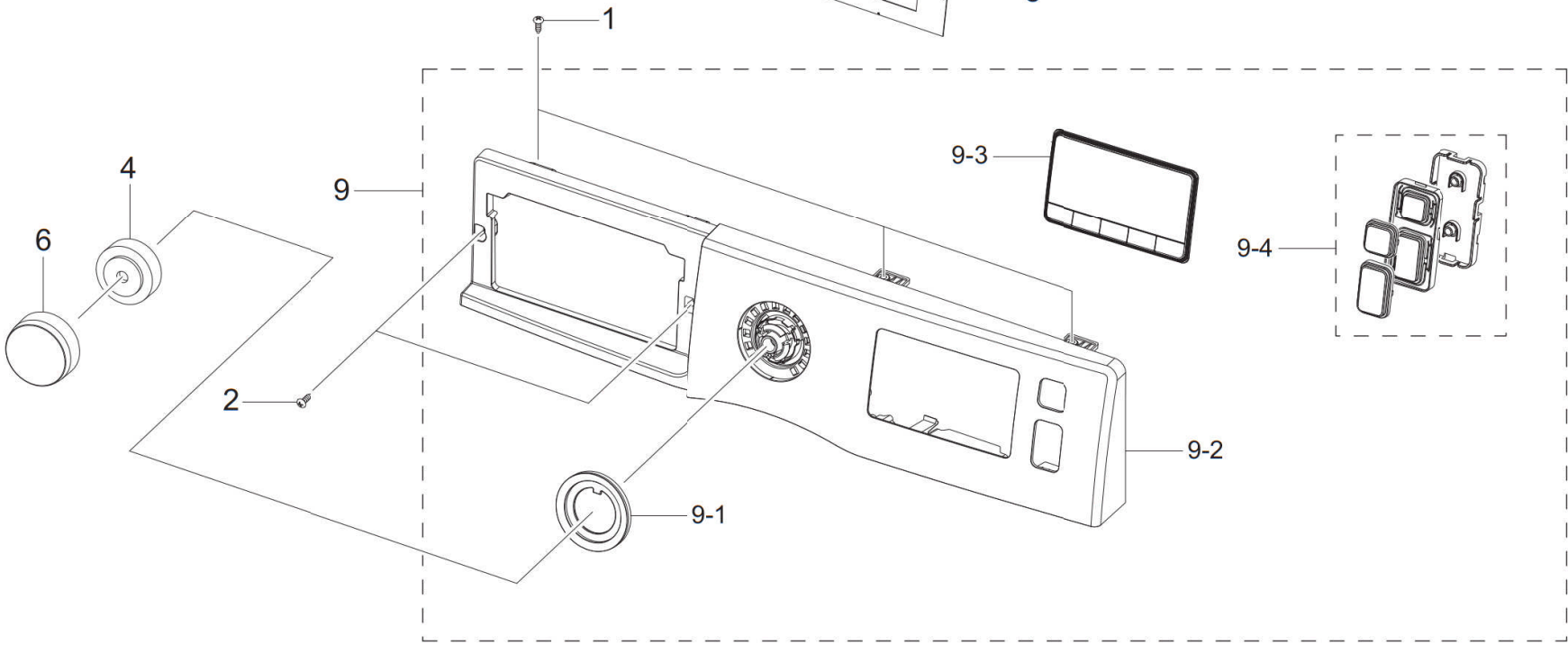
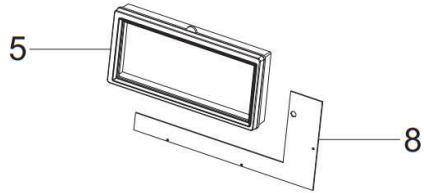
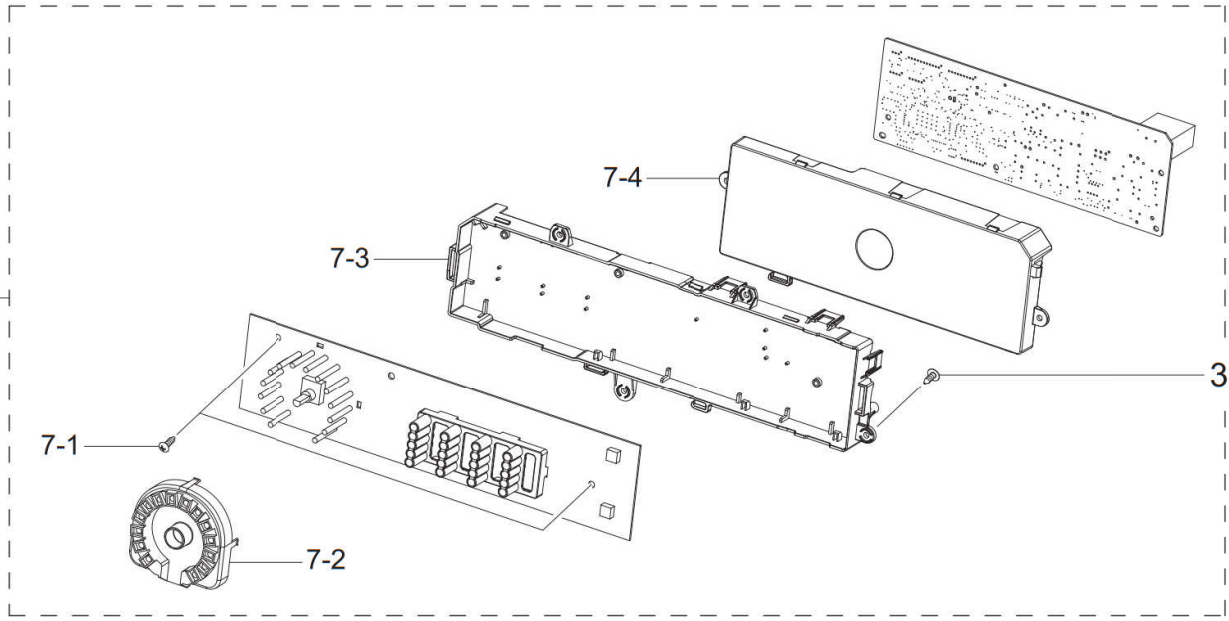


VUE B

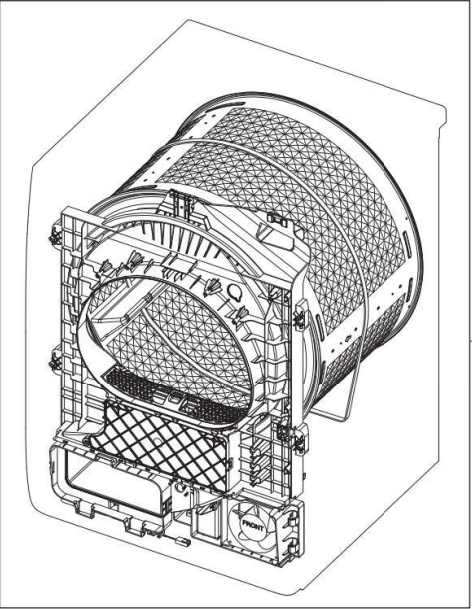




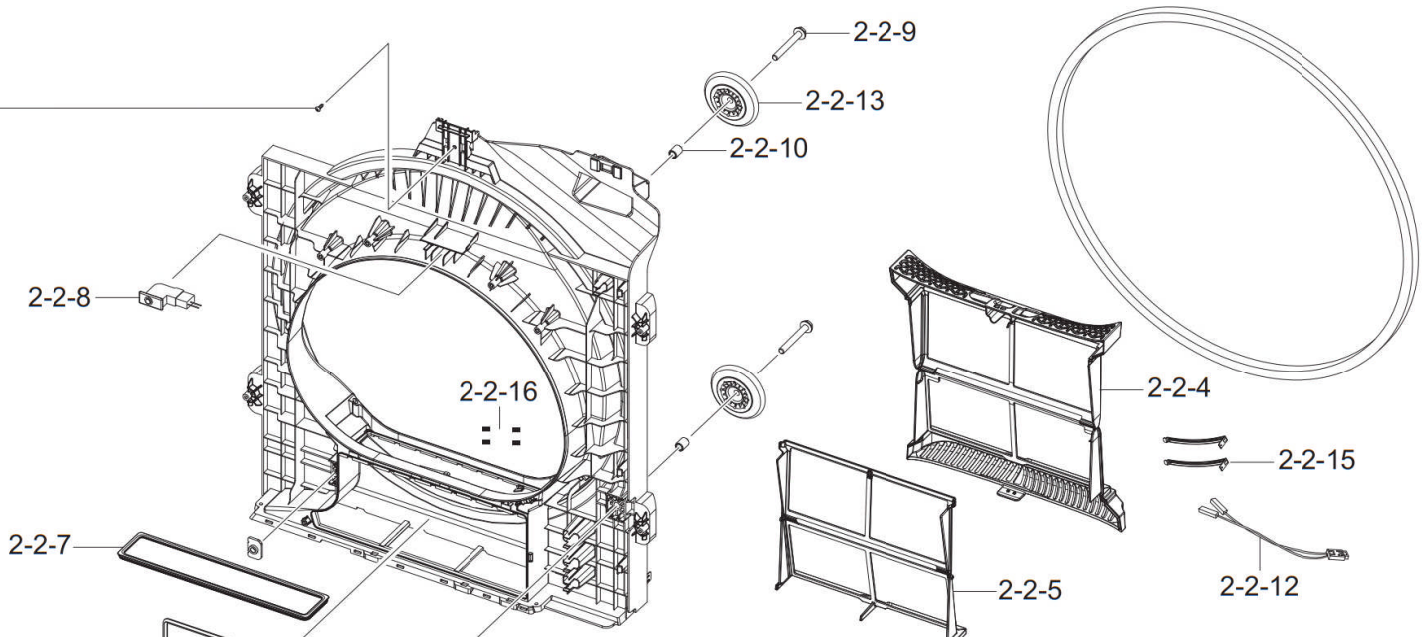
VUE C



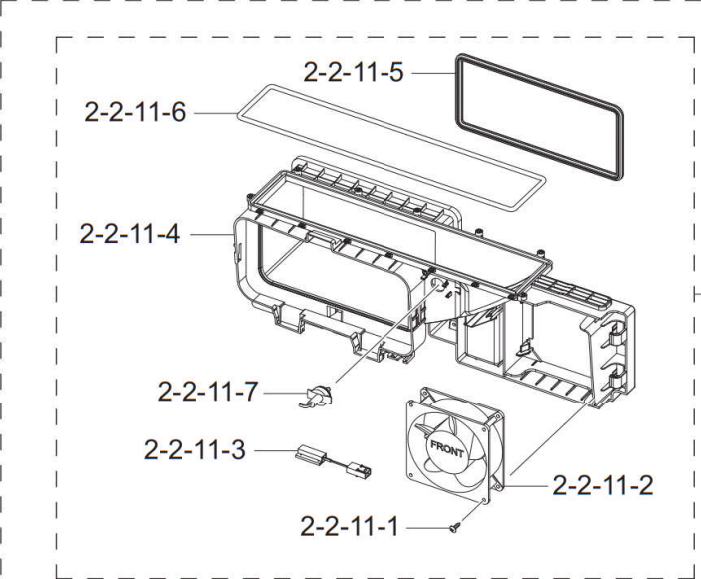
VUE D



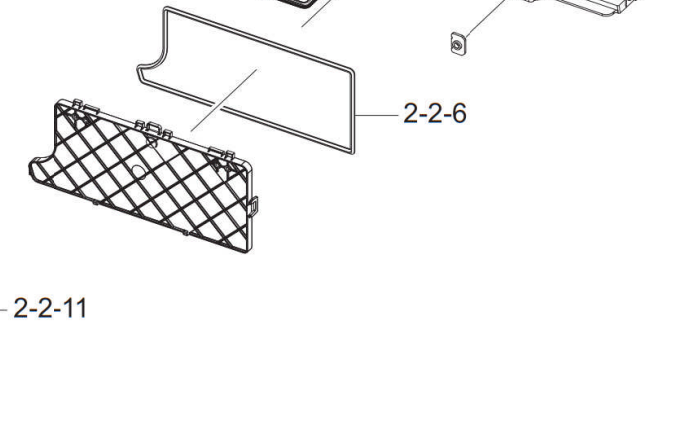
2-1  
2-2  
0



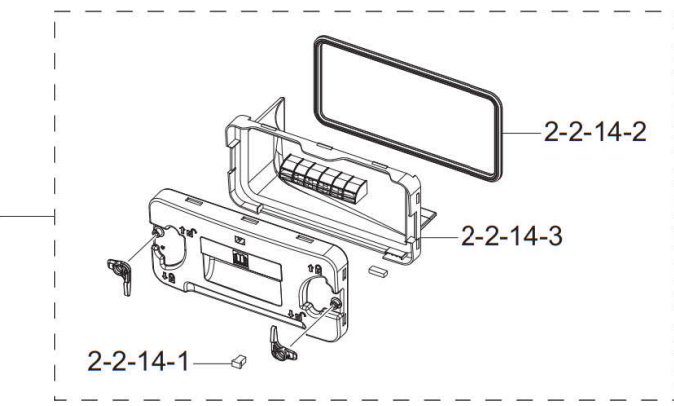
2-2-8  
2-2-16  
2-2-7  
2-2-9  
2-2-13  
2-2-10  
2-2-4  
2-2-5  
2-2-15  
2-2-12



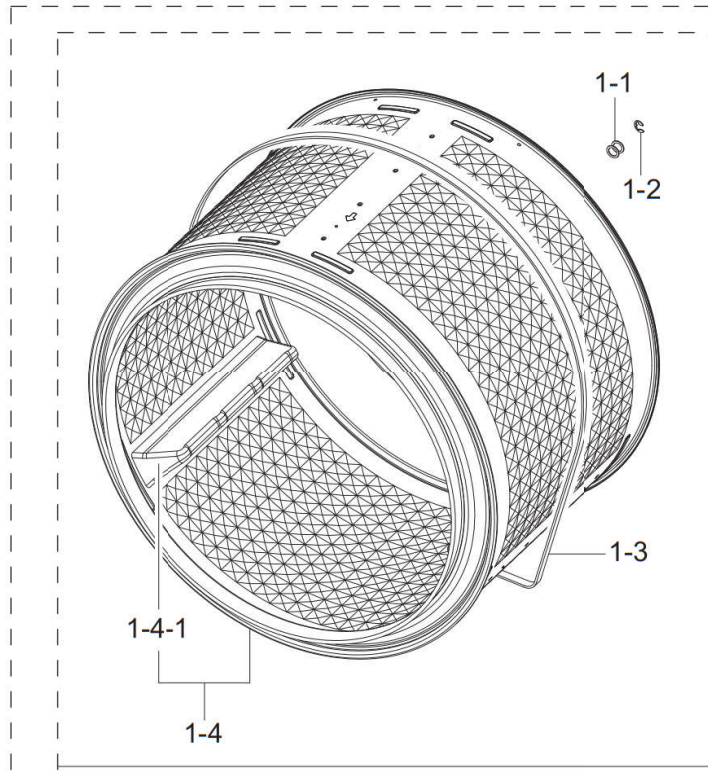
2-2-11-6  
2-2-11-5  
2-2-11-4  
2-2-11-7  
2-2-11-3  
2-2-11-2  
2-2-11-1



2-2-6  
2-2-7  
2-2-8

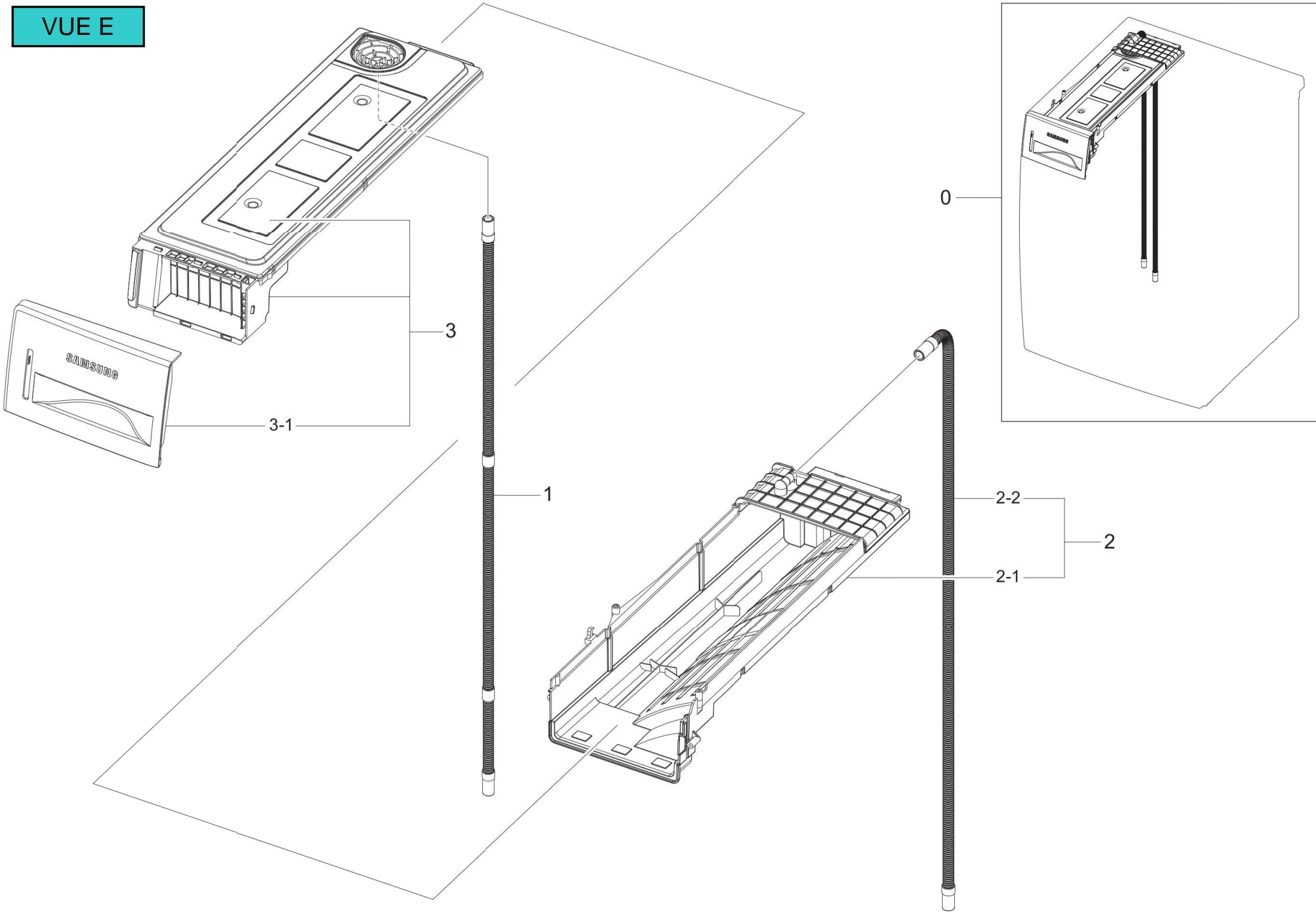


2-2-14  
2-2-14-2  
2-2-14-3  
2-2-14-1



1-1  
1-2  
1-3  
1-4  
1-4-1

VUE E



VUE F

