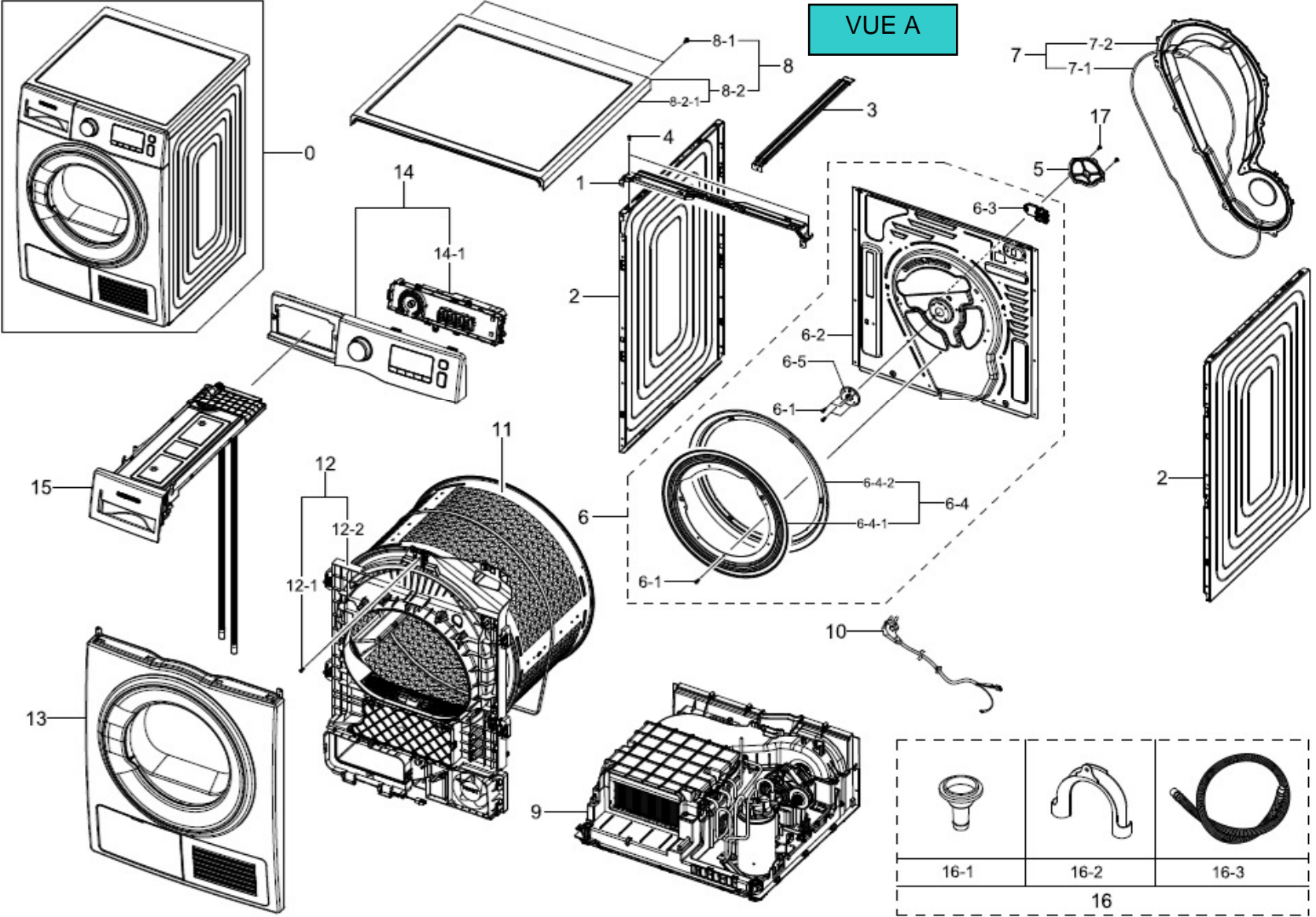
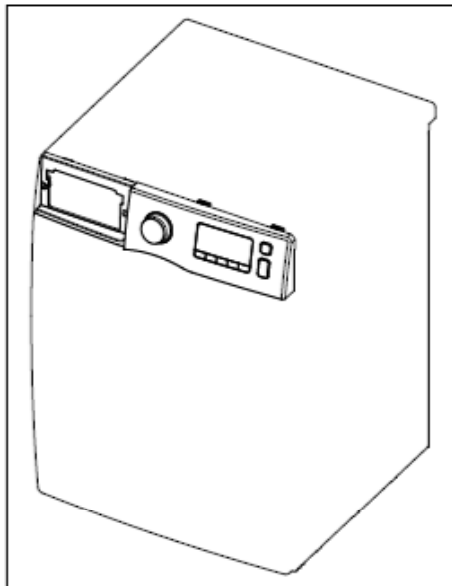
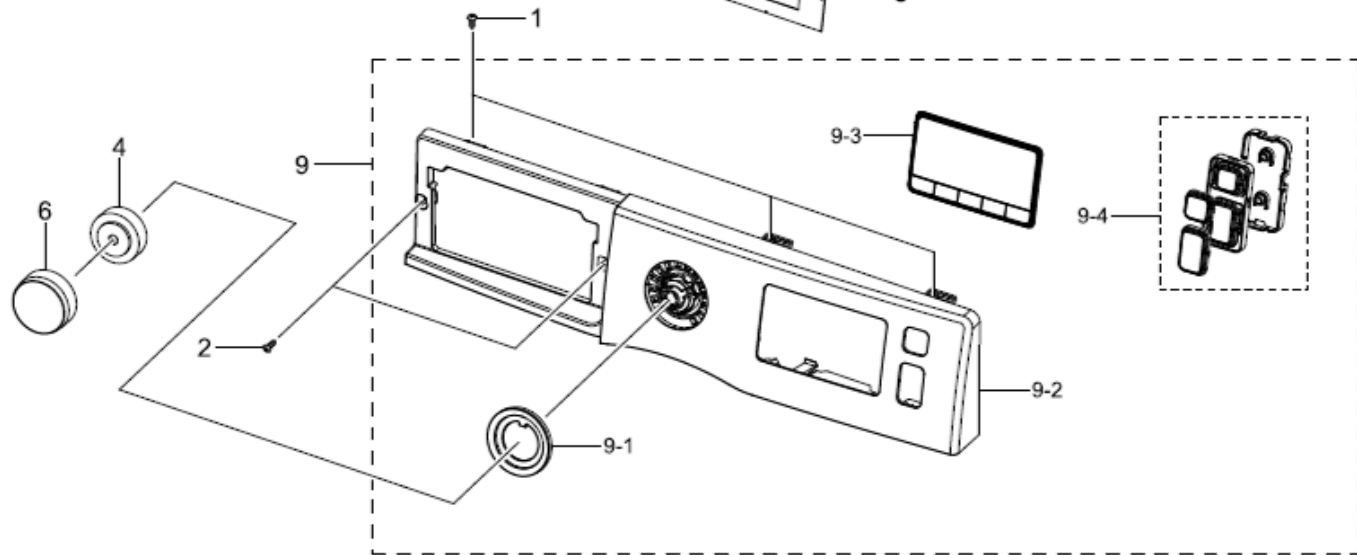
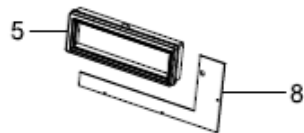
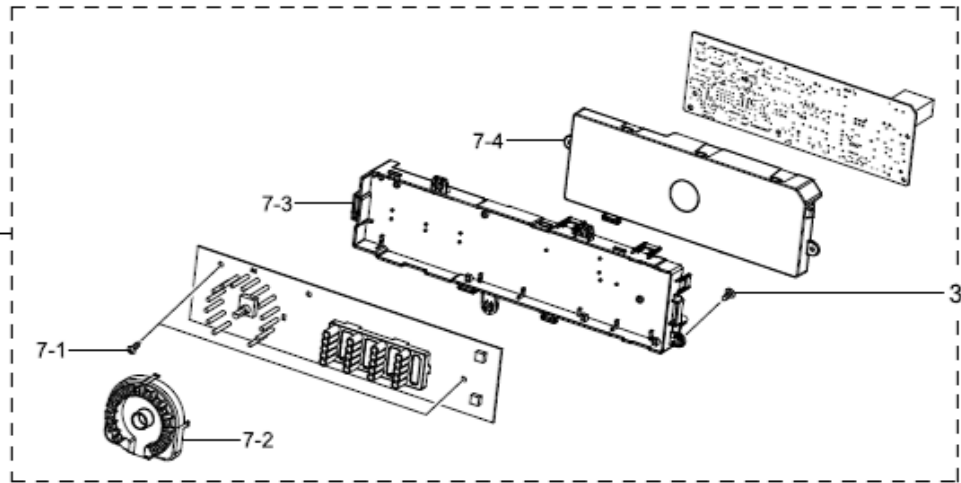


VUE A

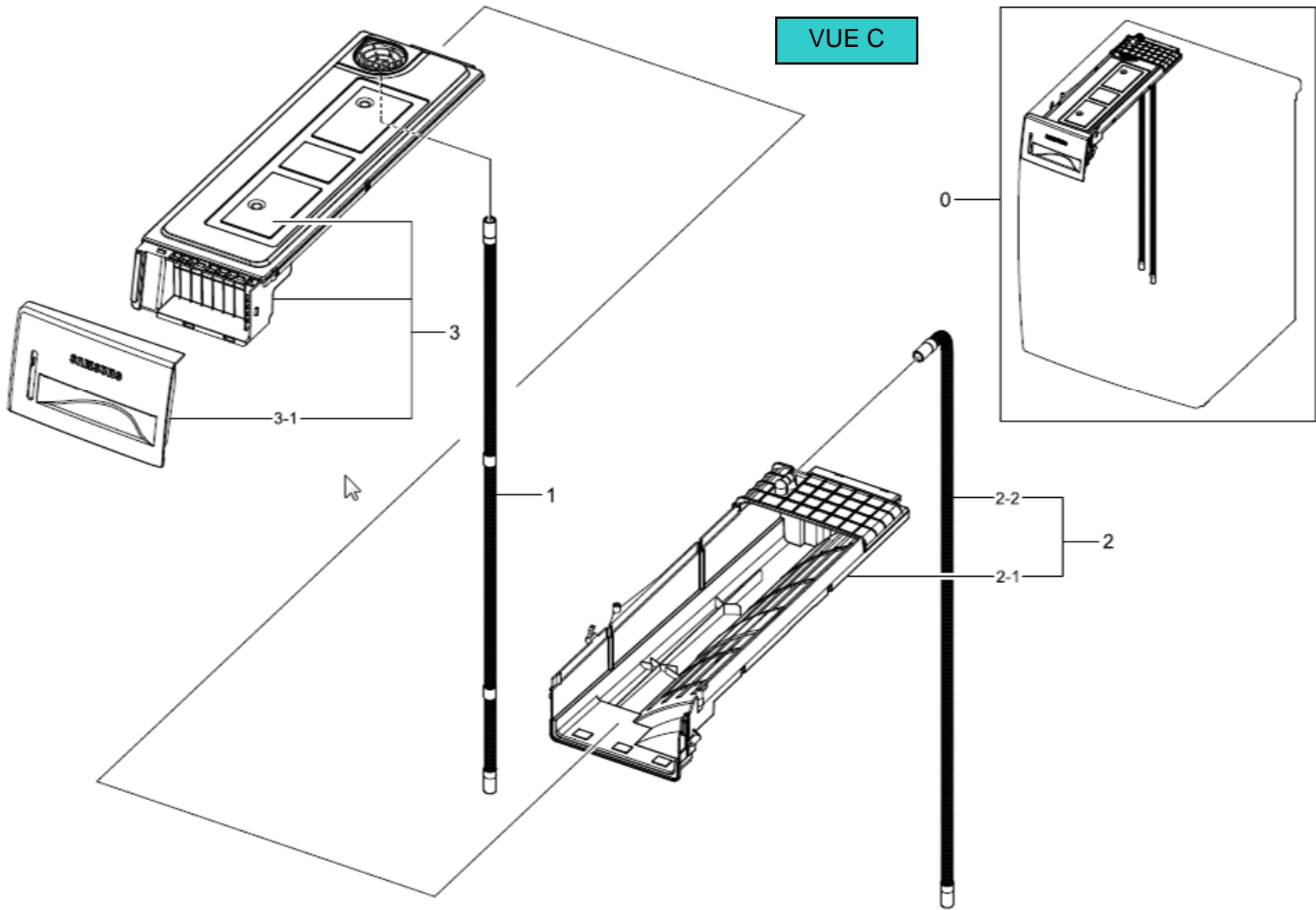




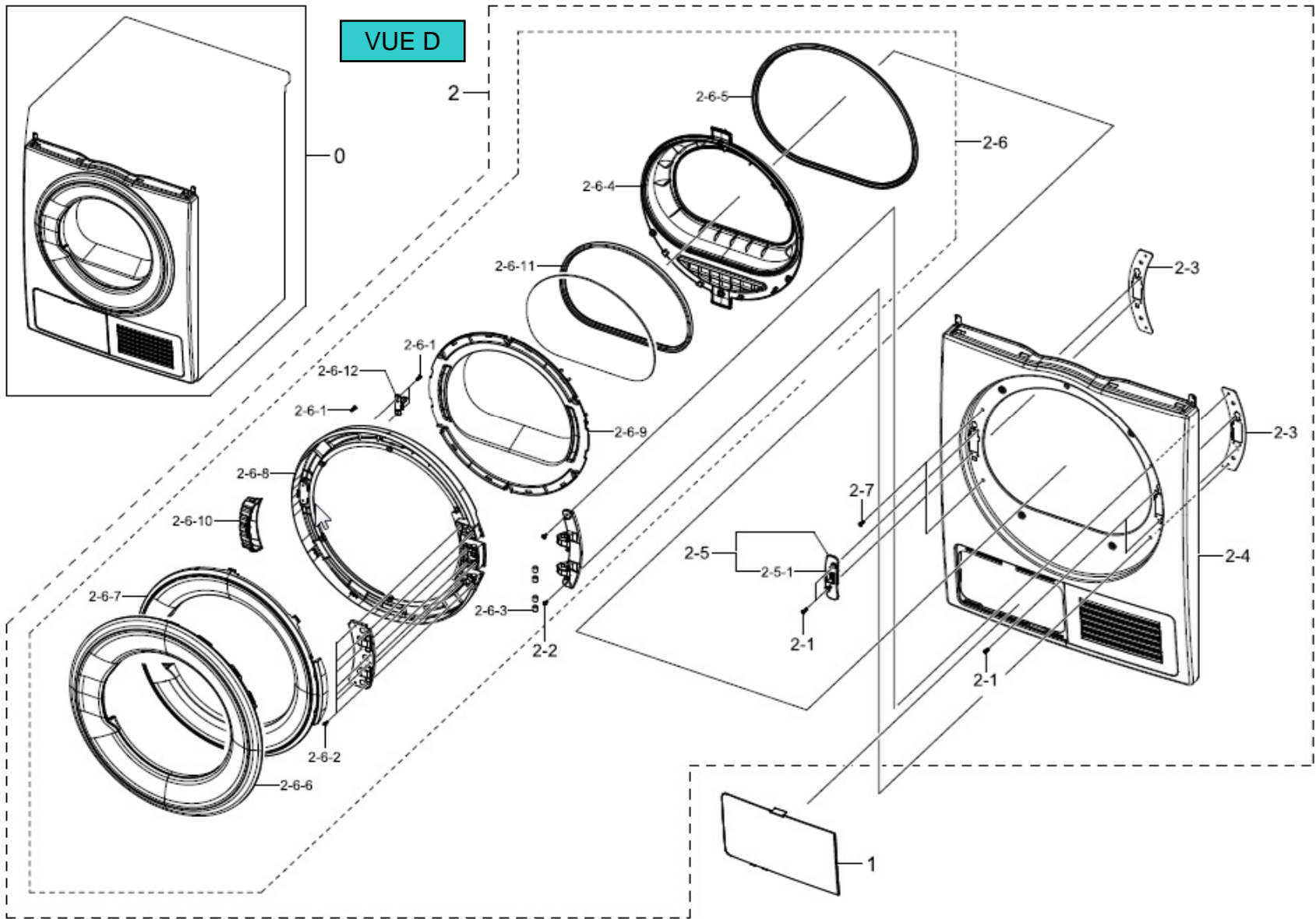
VUE B



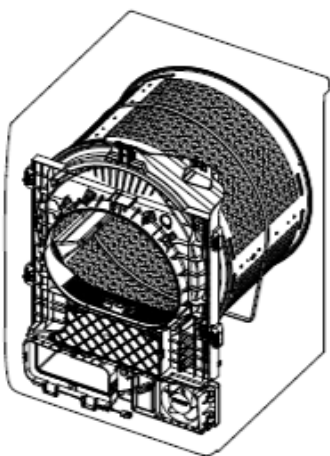
VUE C



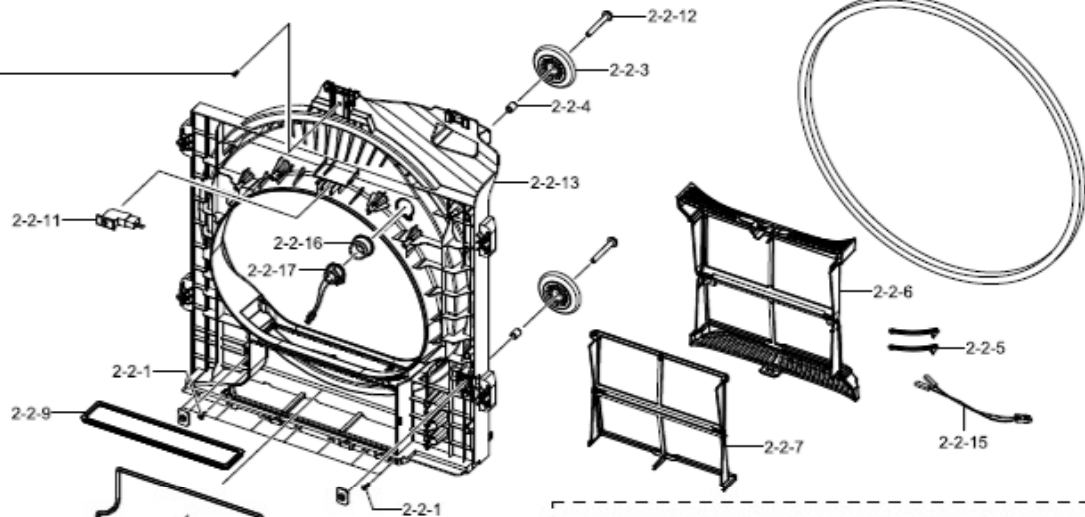
VUE D



VUE E



2
2-1
2-2



2-2-11

2-2-16
2-2-17

2-2-12
2-2-3
2-2-4

2-2-13

2-2-6

2-2-5

2-2-15

2-2-7

2-2-1

2-2-9

2-2-1

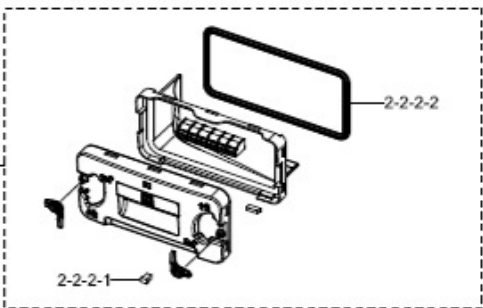
2-2-8

2-2-10



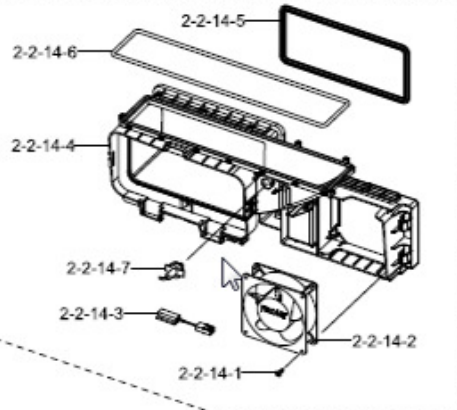
2-2-14

2-2-2



2-2-2-2

2-2-2-1



2-2-14-5

2-2-14-6

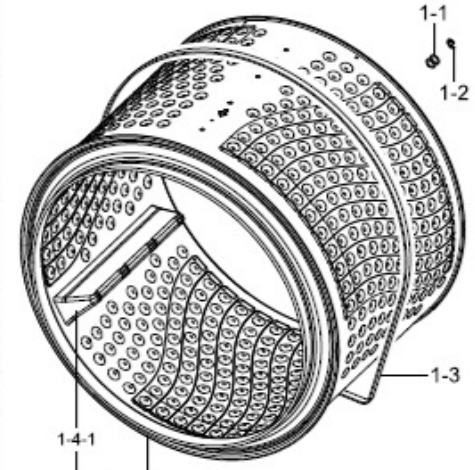
2-2-14-4

2-2-14-7

2-2-14-3

2-2-14-1

2-2-14-2



1-1

1-2

1-3

1-4-1

1-4

1

VUE F

