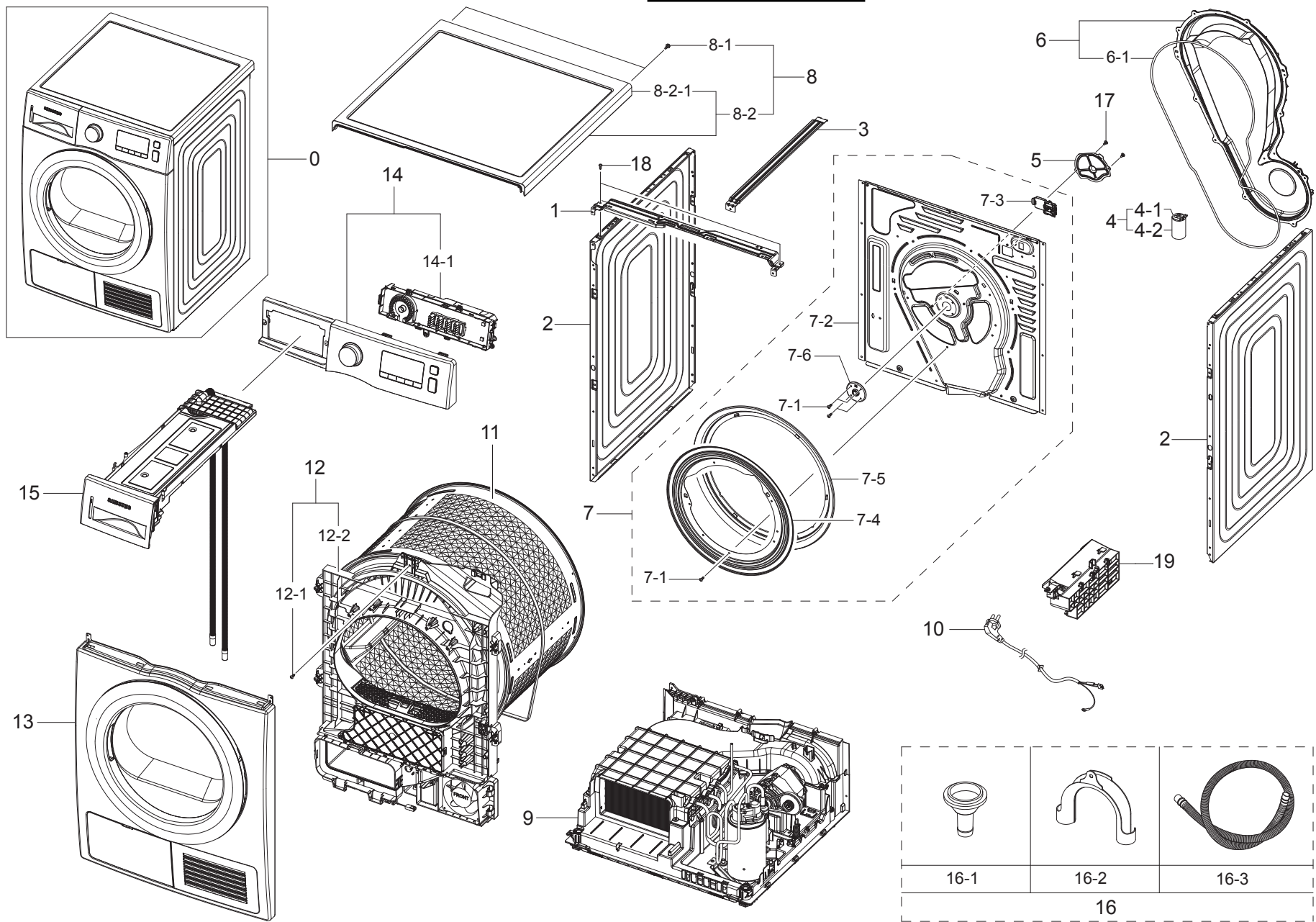
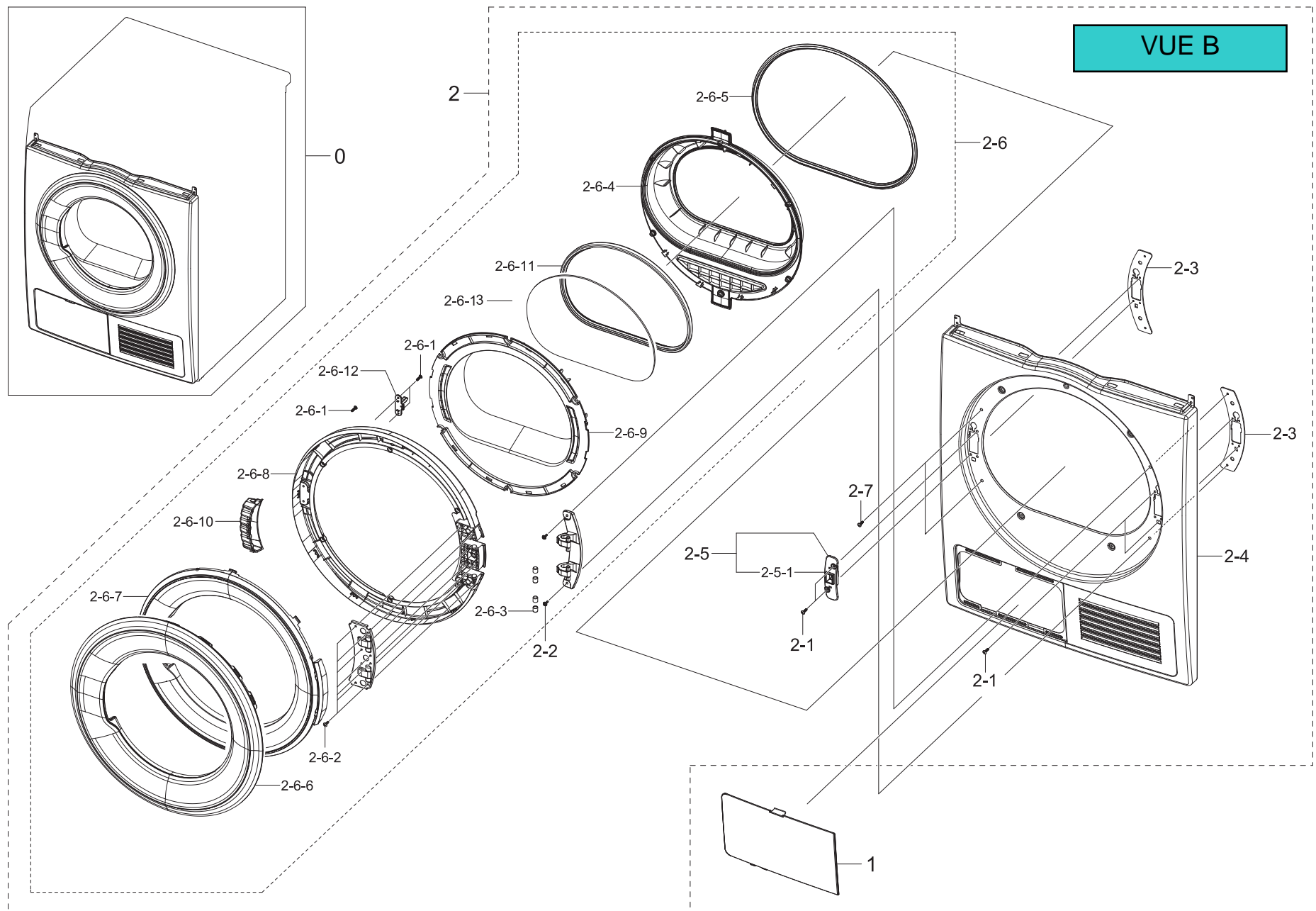


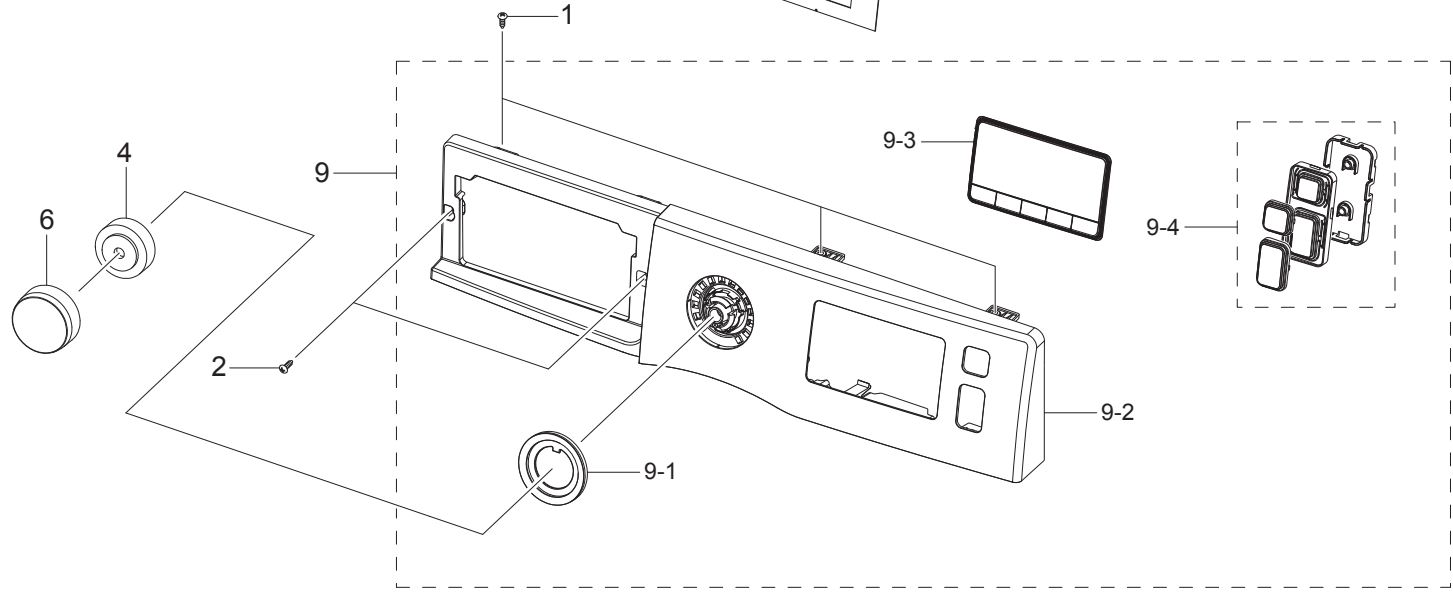
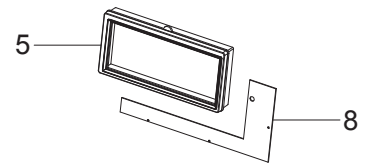
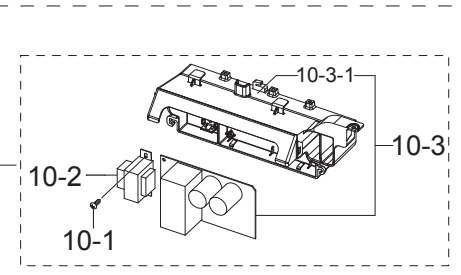
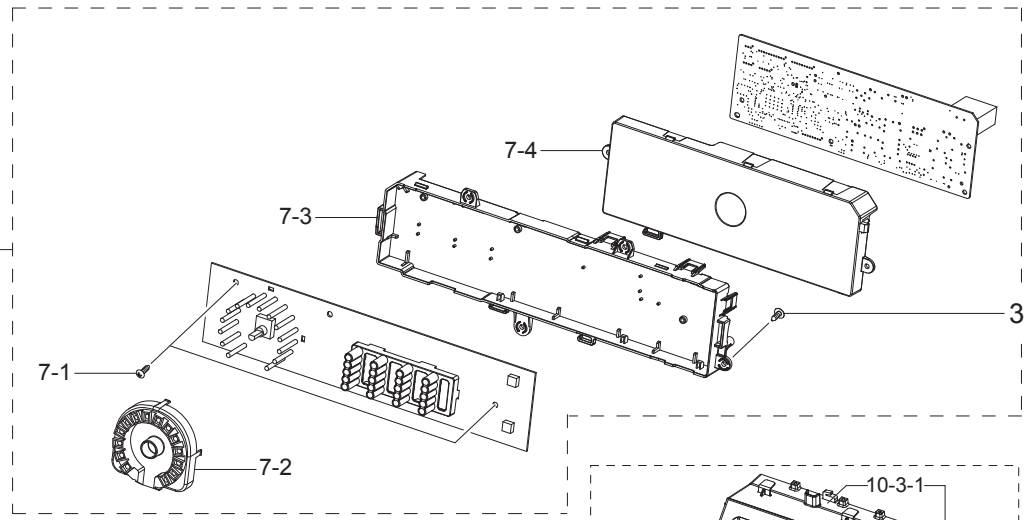
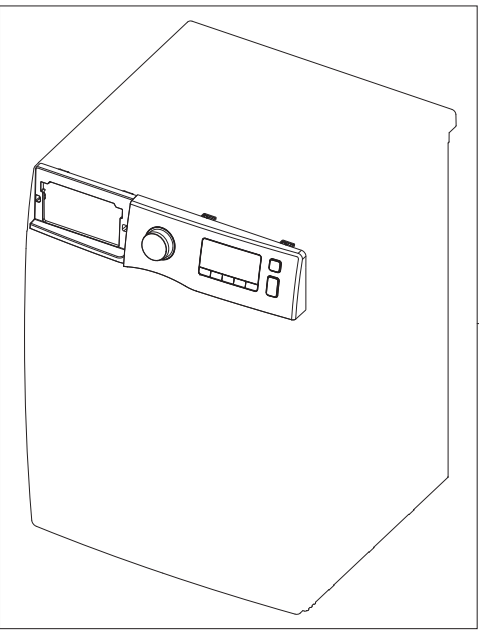
VUE A



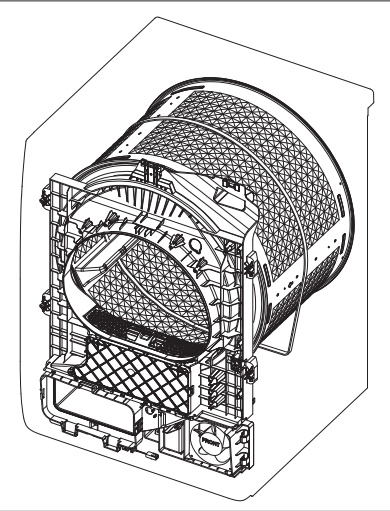
VUE B



VUE C

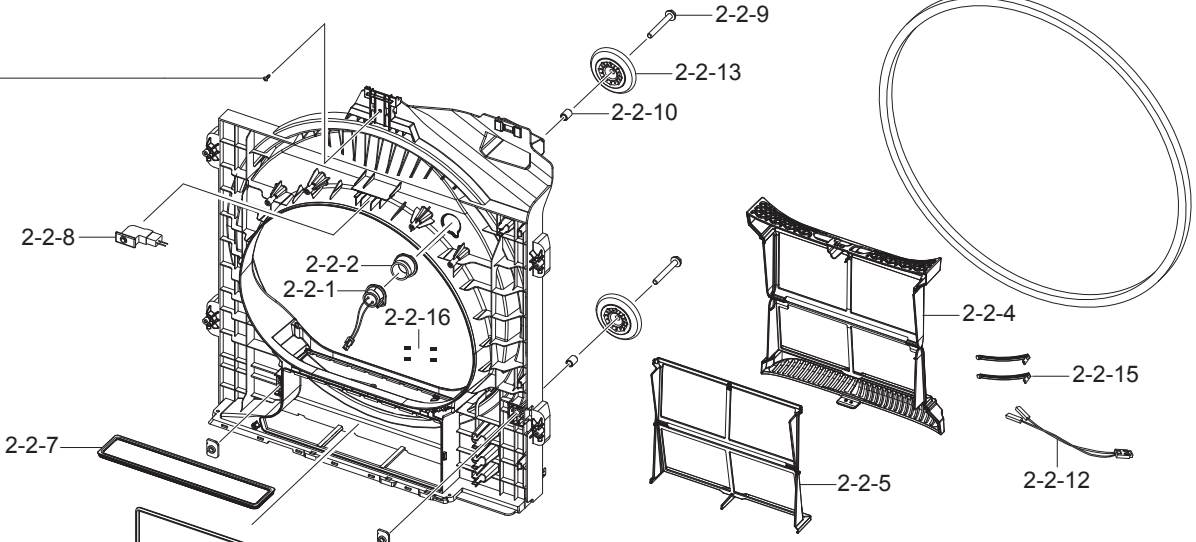


VUE D

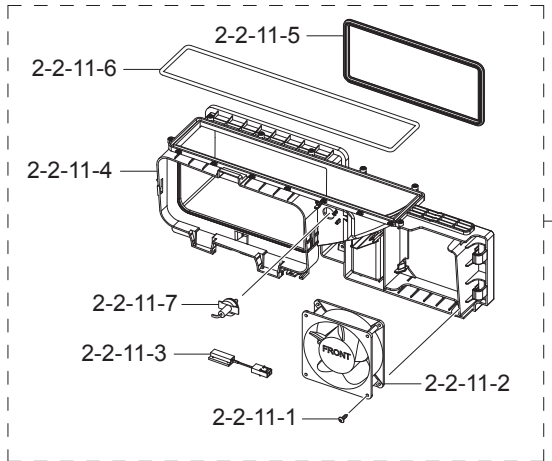


2-1
2-2

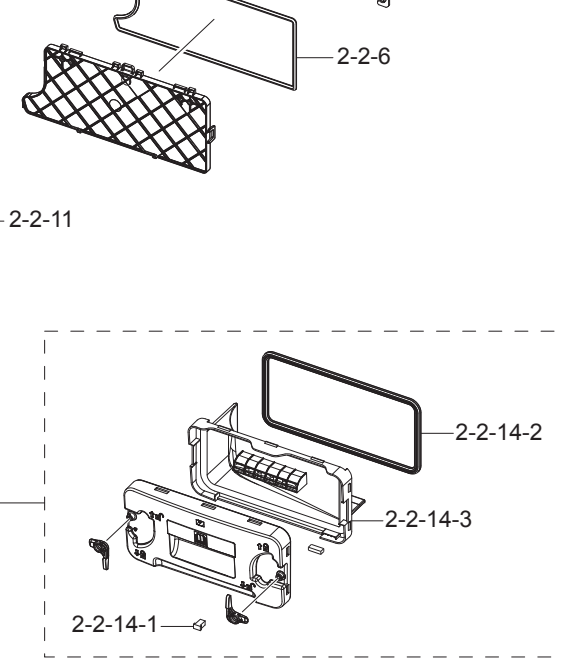
0



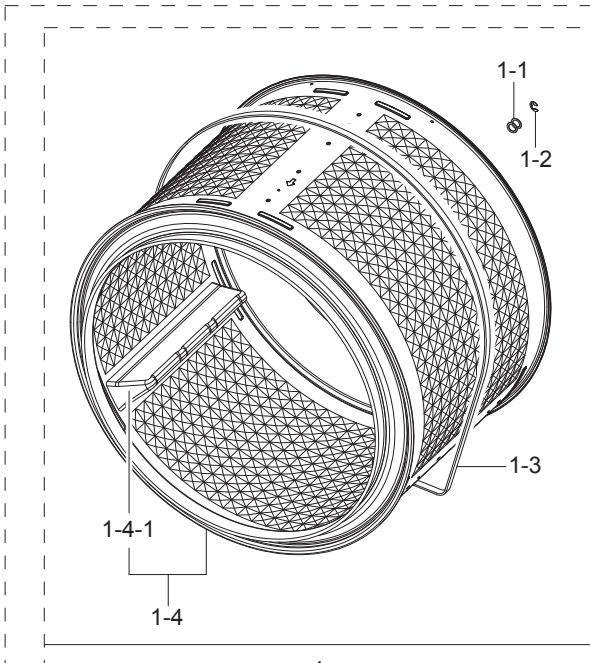
2-2-8
2-2-7
2-2-2
2-2-1
2-2-16
2-2-9
2-2-13
2-2-10
2-2-4
2-2-5
2-2-15
2-2-12
2-2-6



2-2-11-5
2-2-11-6
2-2-11-4
2-2-11-7
2-2-11-3
2-2-11-1
2-2-11-2

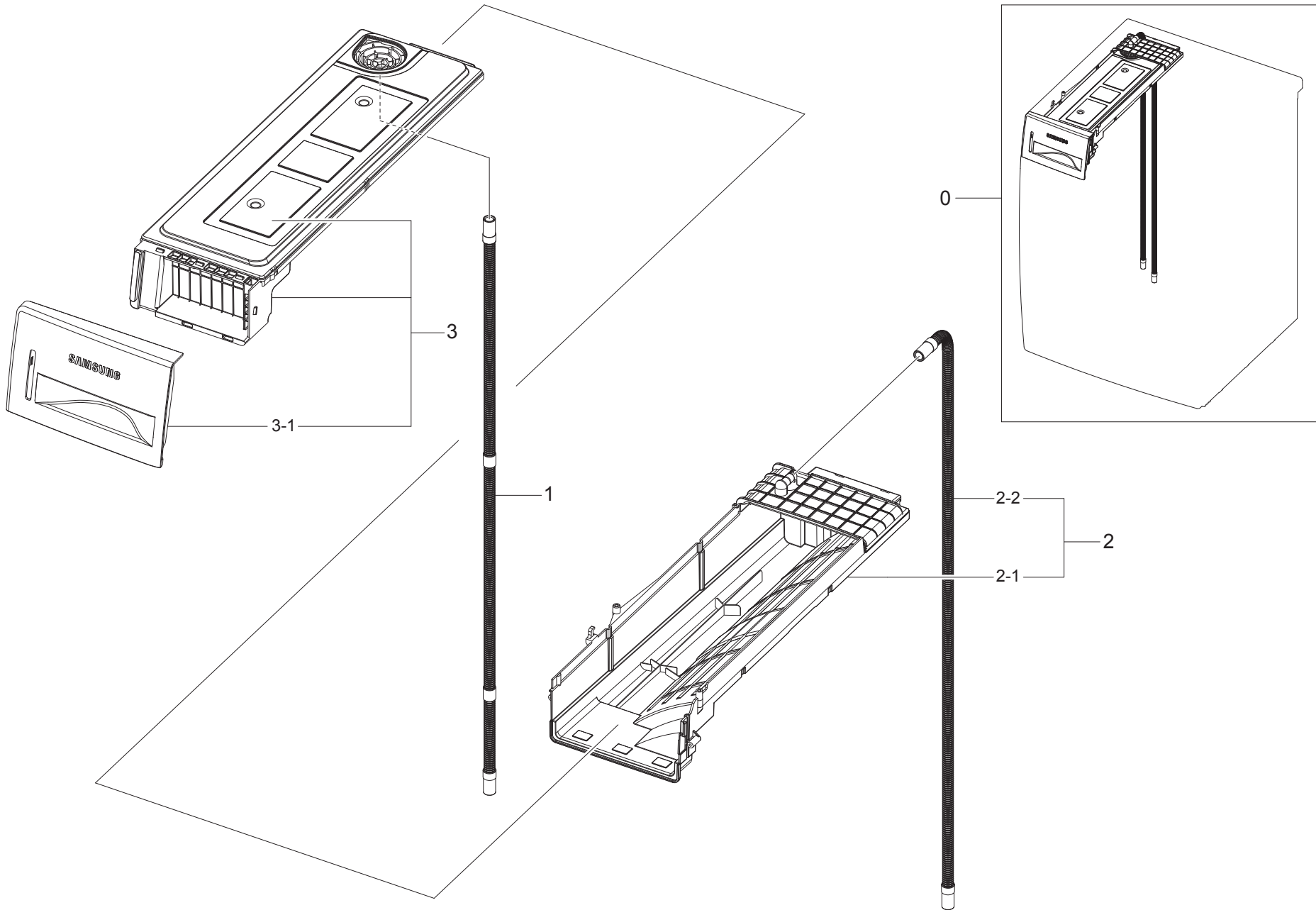


2-2-11
2-2-14-2
2-2-14-3
2-2-14-1

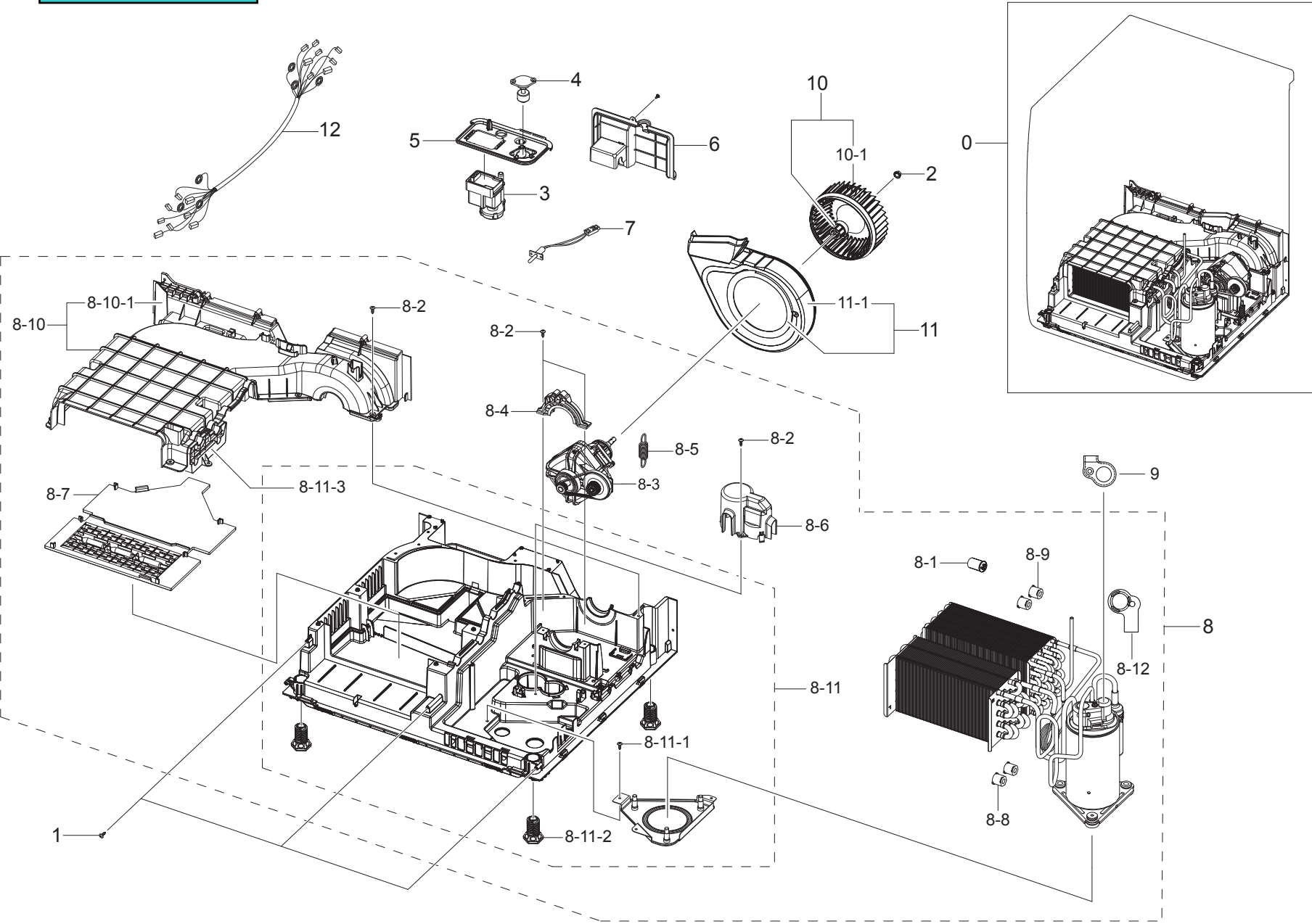


1-1
1-2
1-3
1-4-1
1-4

VUE E



VUE F



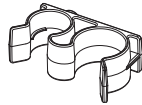
VUE G



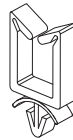
1



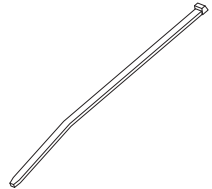
2



3



4



5



6