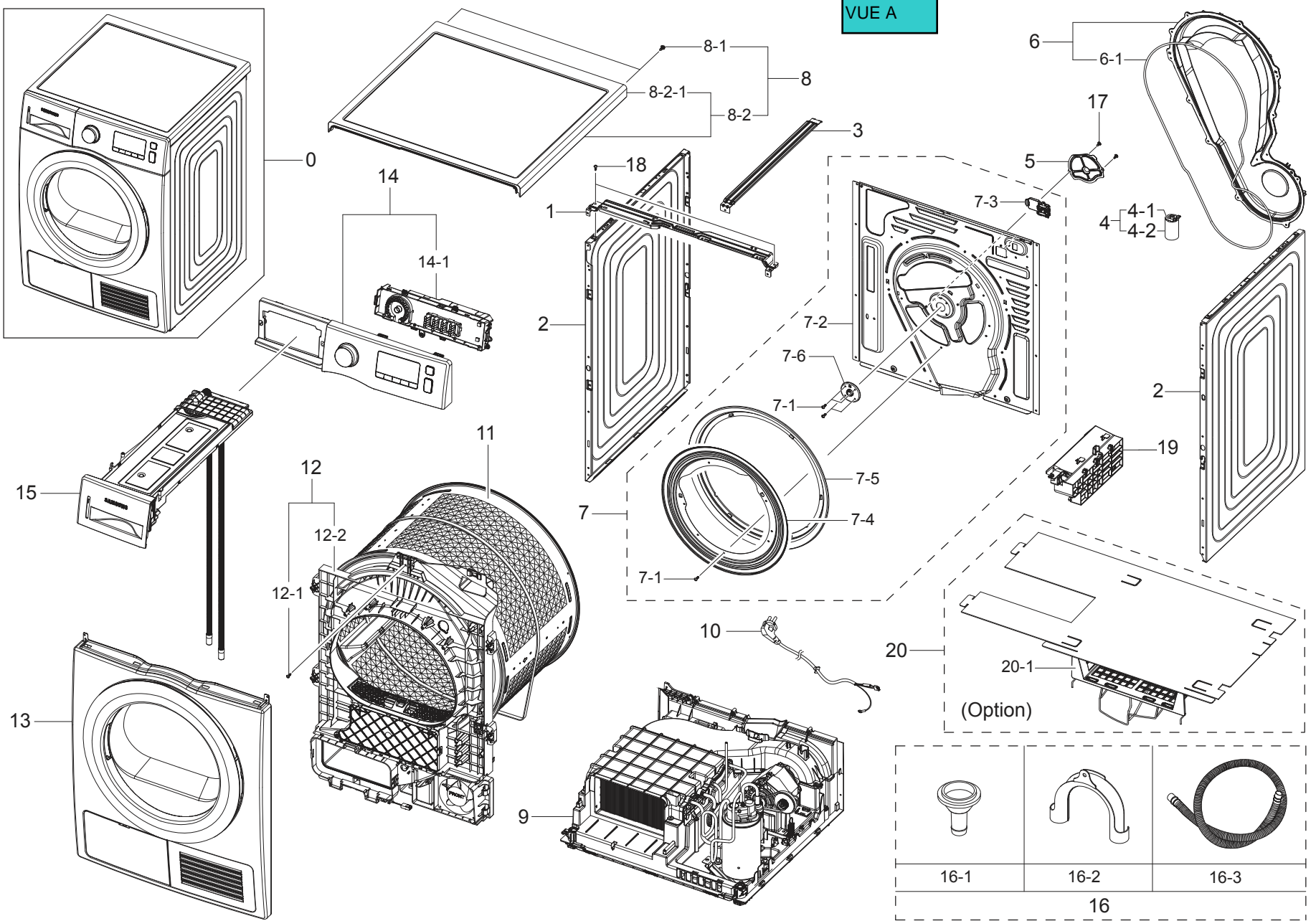
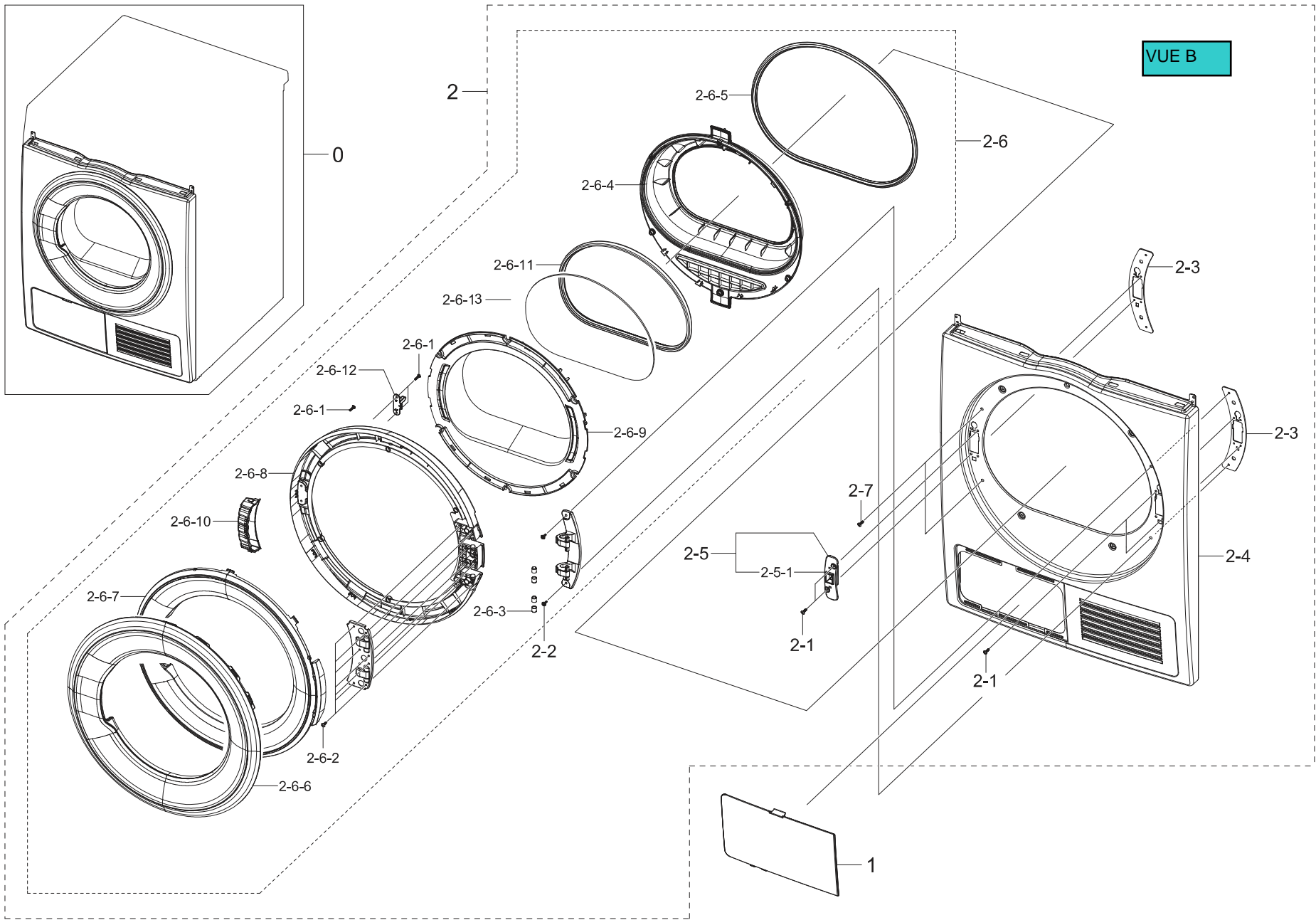


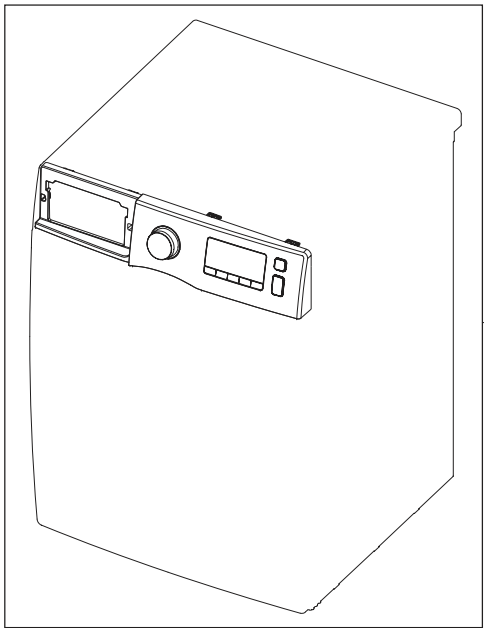
VUE A



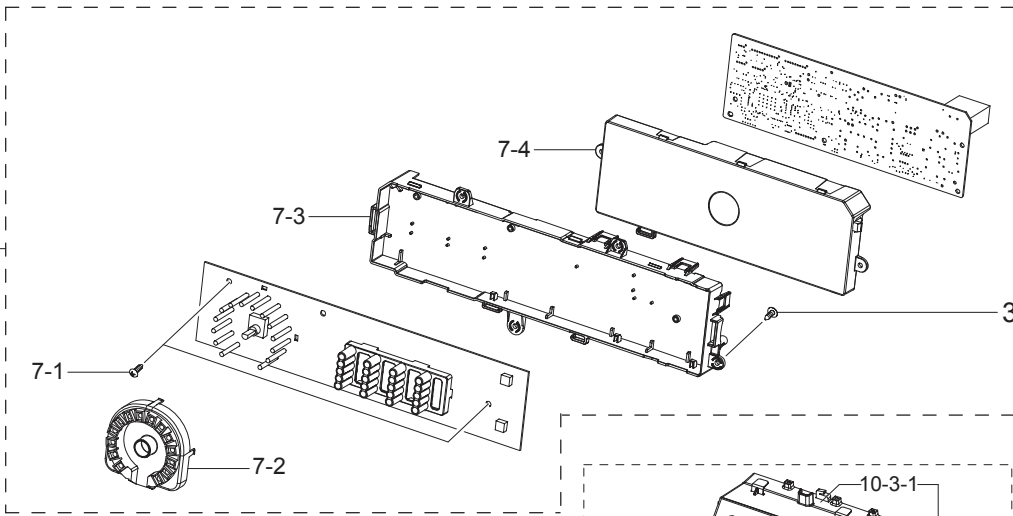
VUE B



VUE C



0



7

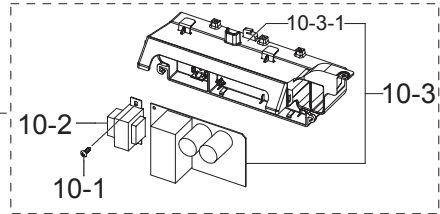
7-1

7-2

7-3

7-4

3



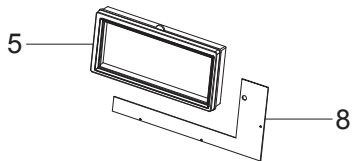
10

10-1

10-2

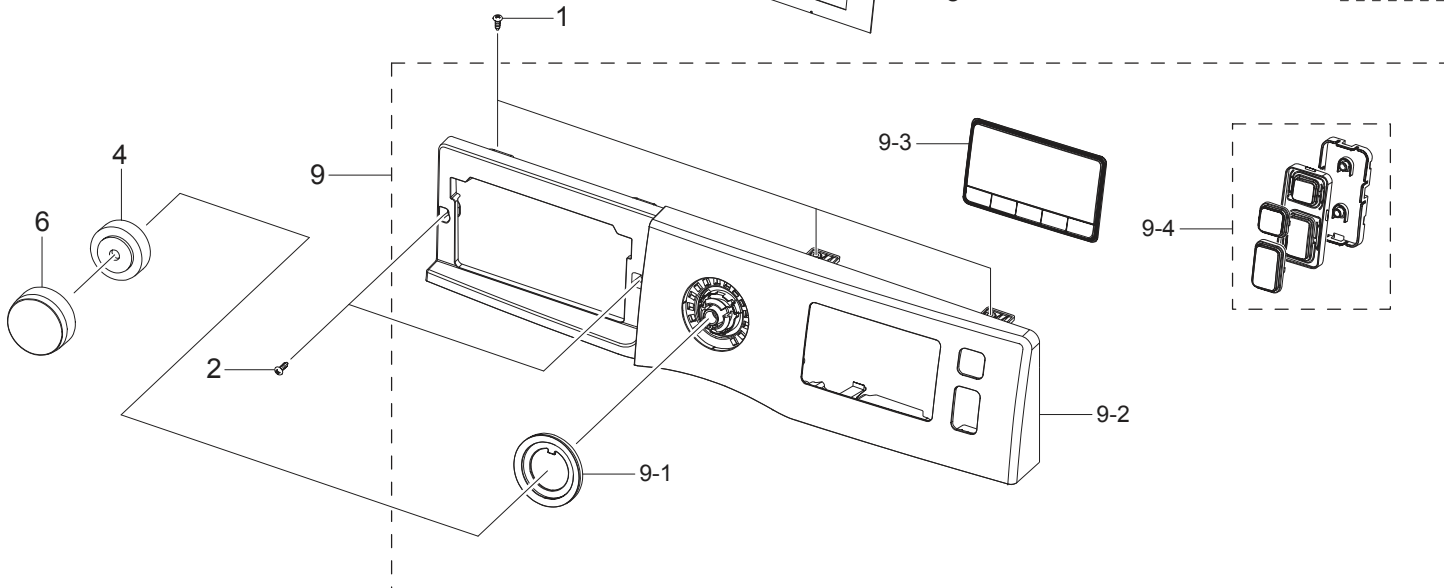
10-3-1

10-3



5

8



1

9

9-3

9-4

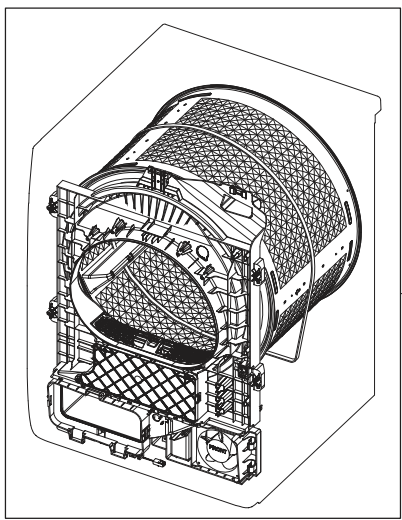
9-2

9-1

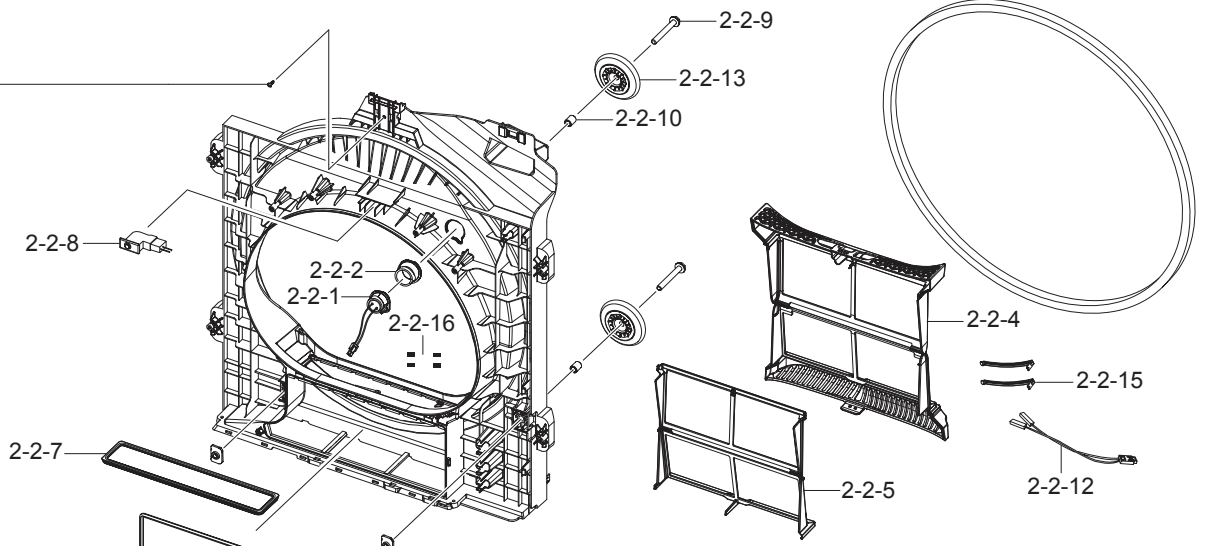
2

4

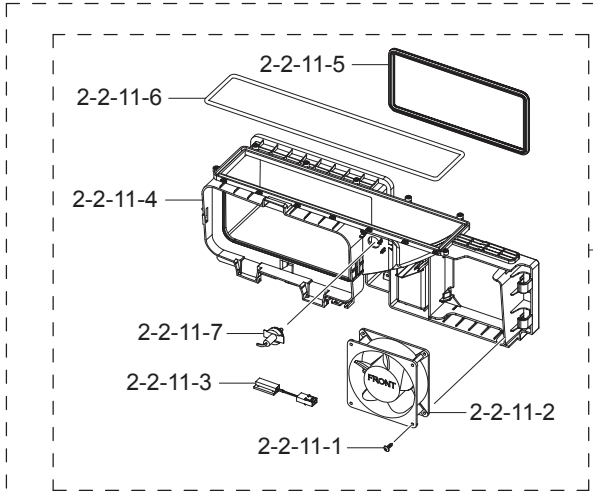
6



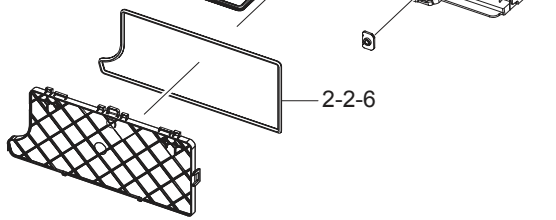
2-1
2-2



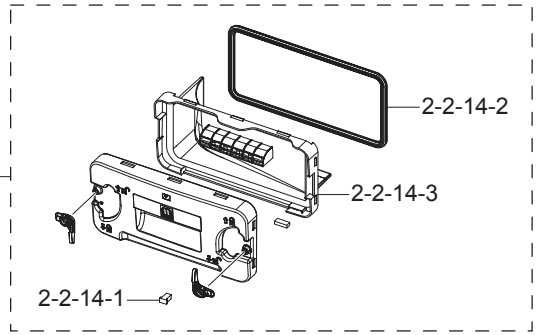
2-2-8
2-2-7
2-2-2
2-2-1
2-2-16
2-2-9
2-2-13
2-2-10
2-2-4
2-2-5
2-2-15
2-2-12



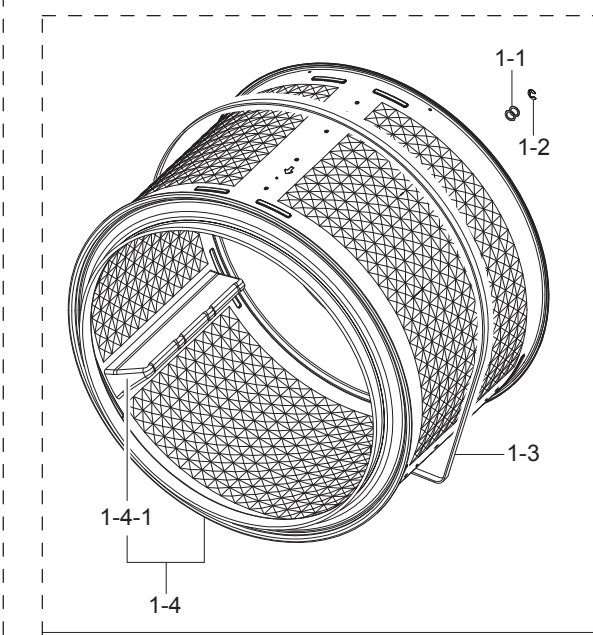
2-2-11-6
2-2-11-5
2-2-11-4
2-2-11-7
2-2-11-3
2-2-11-1
2-2-11-2



2-2-6
2-2-7



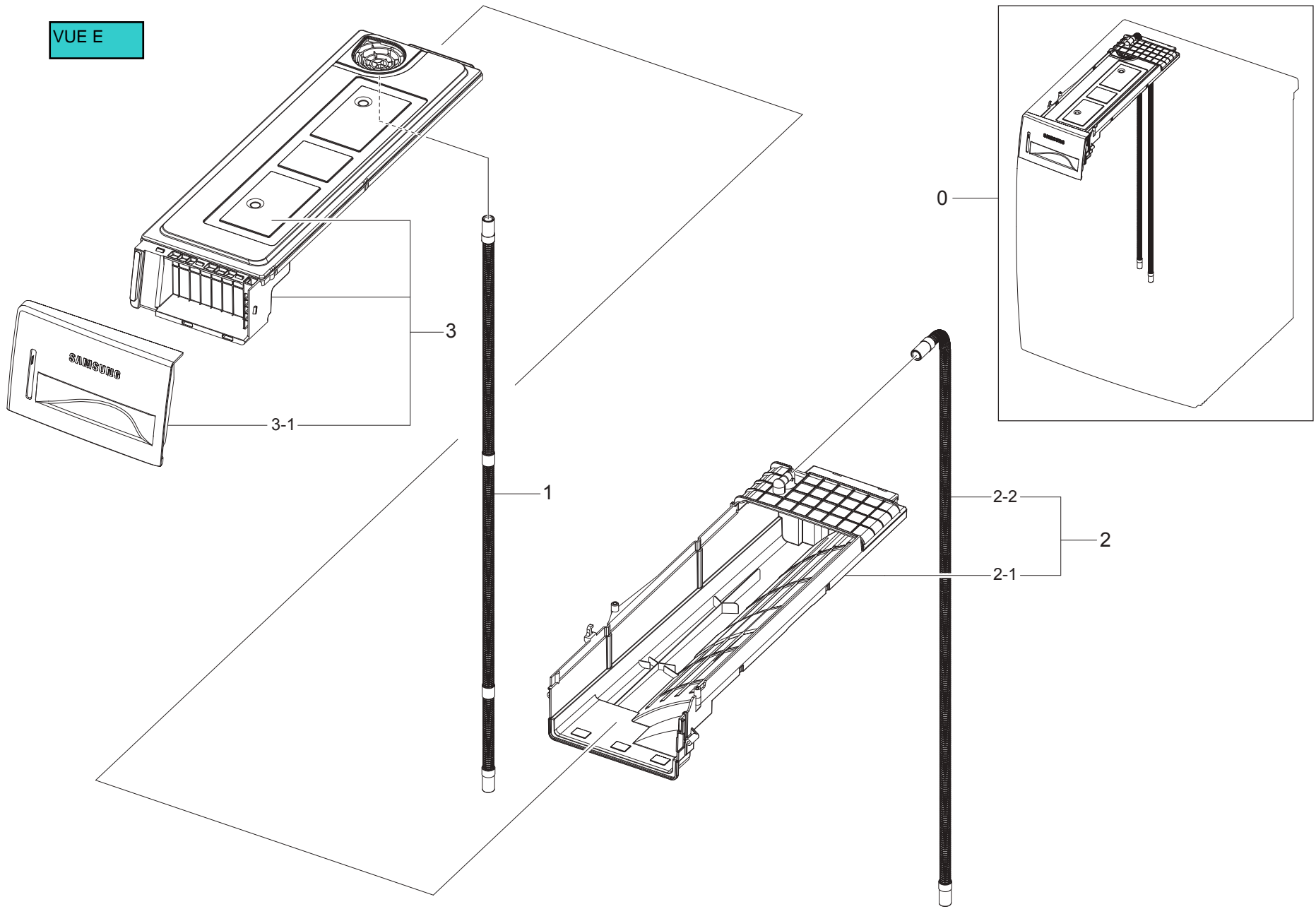
2-2-14
2-2-14-2
2-2-14-3
2-2-14-1



1-1
1-2
1-3
1-4-1
1-4

VUE D

VUE E



VUE F

