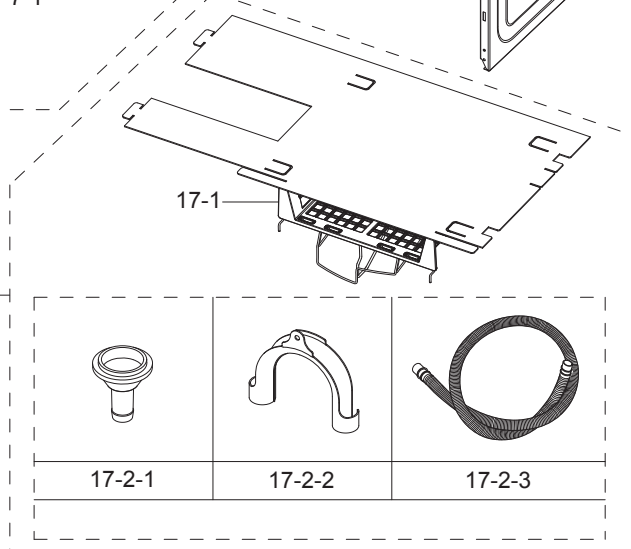
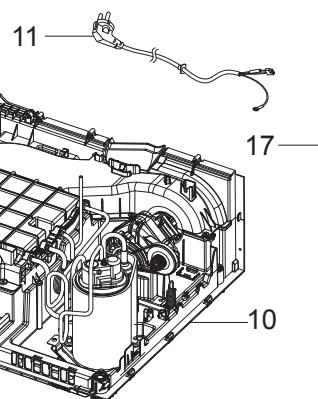
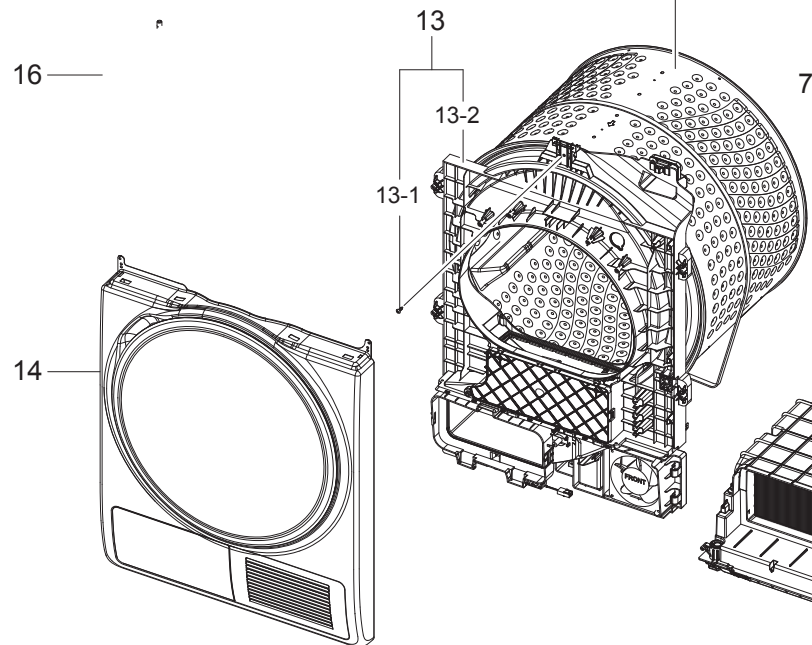
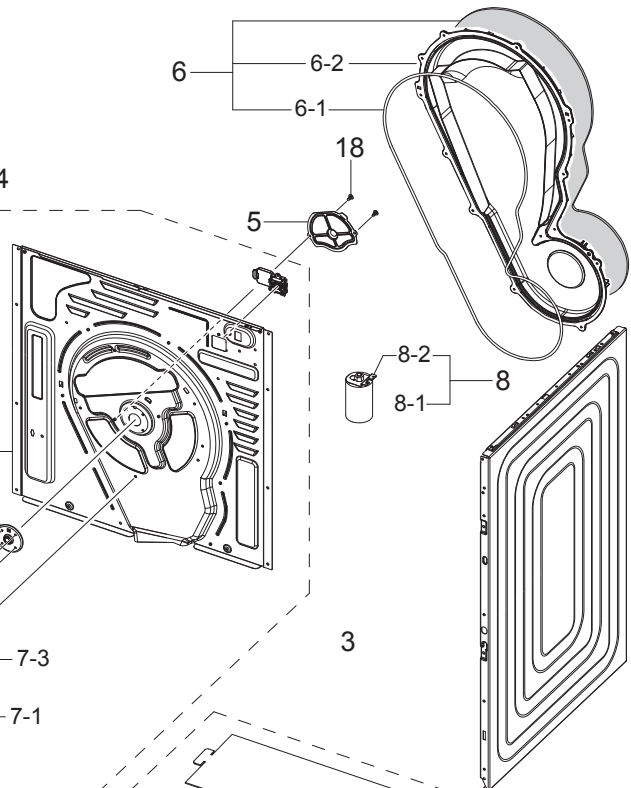
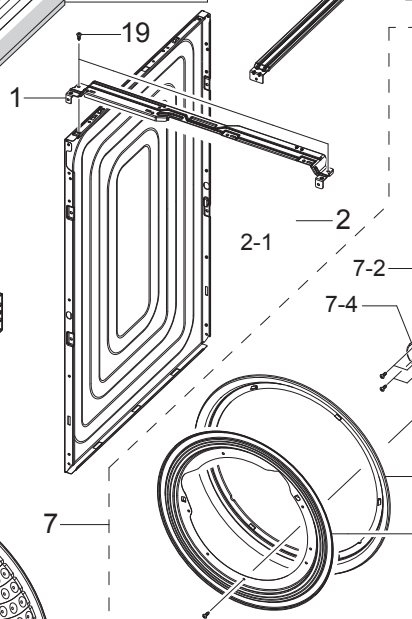
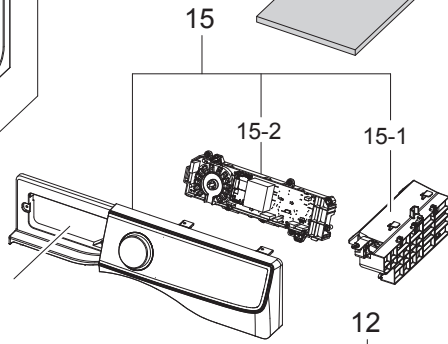
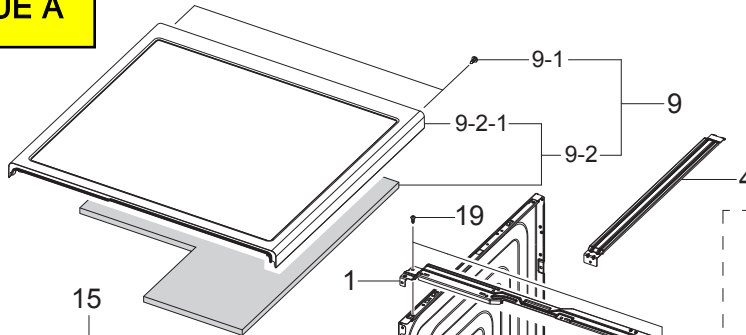
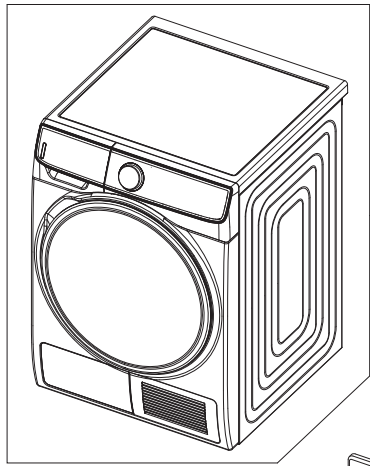
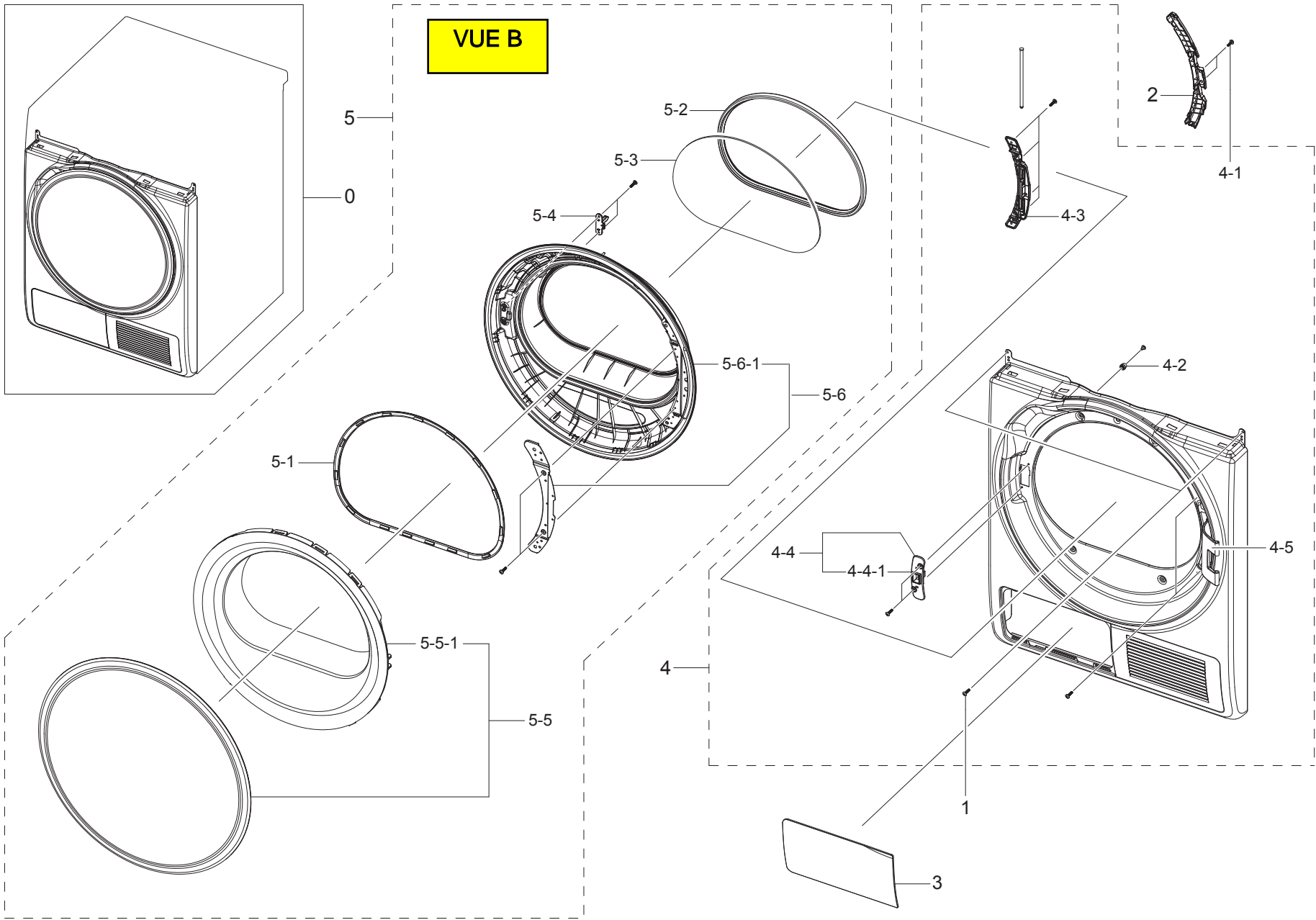


VUE A



VUE B



5

0

5-2

5-3

5-4

5-6-1

5-6

5-1

5-5-1

5-5

2

4-1

4-3

4-2

4-4

4-4-1

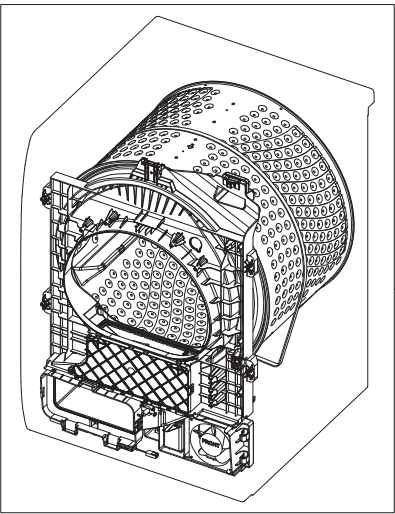
4-5

4

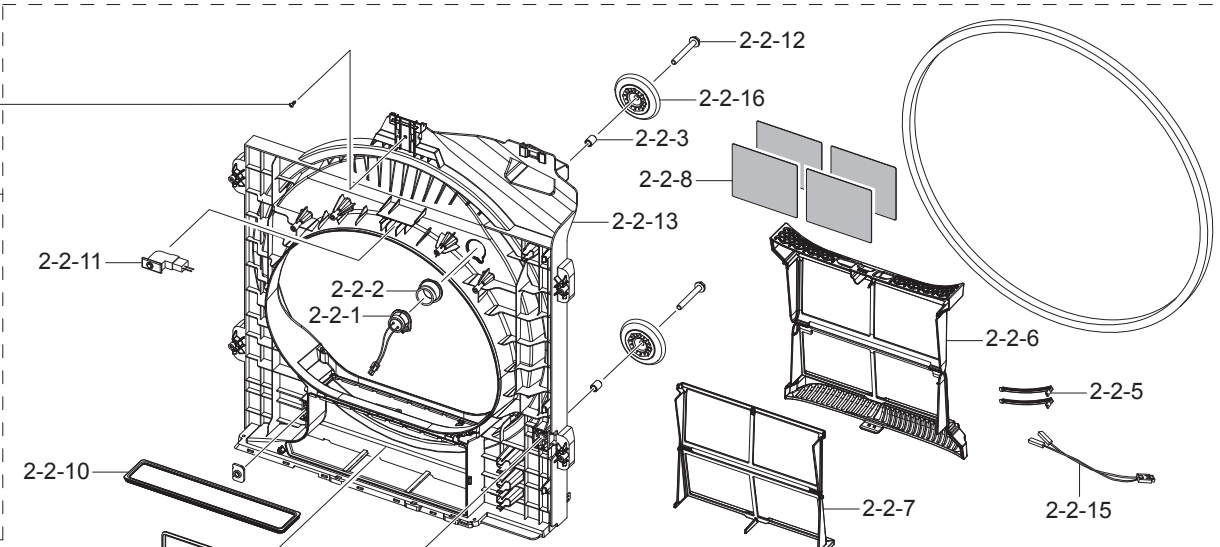
1

3

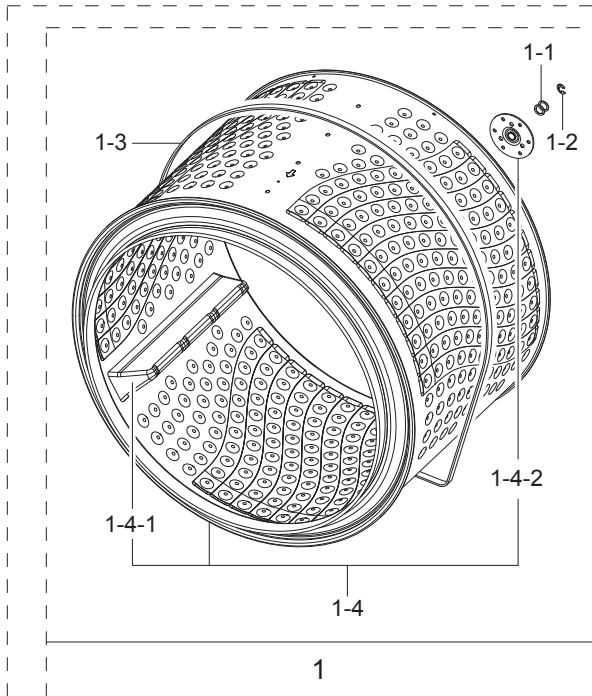
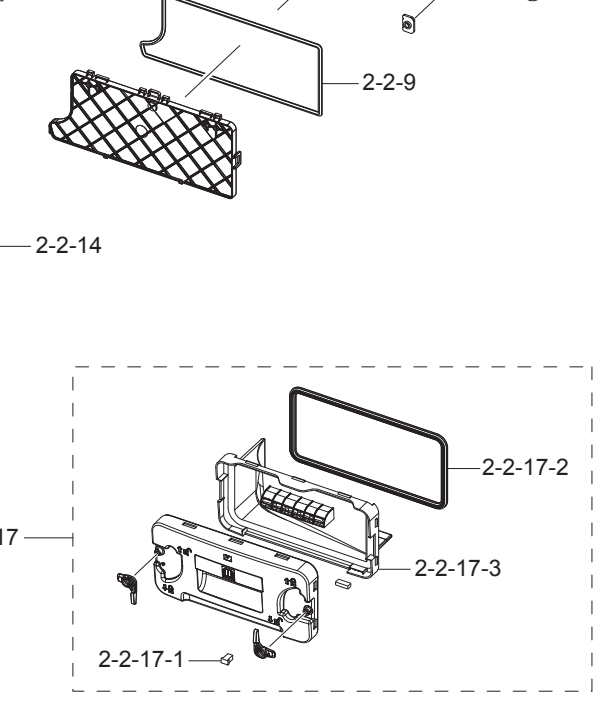
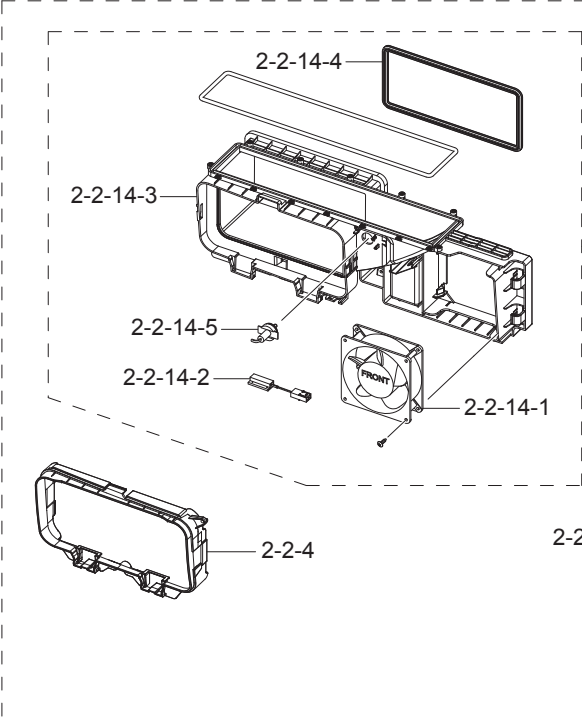
VUE C



2-1
2
2-2
0

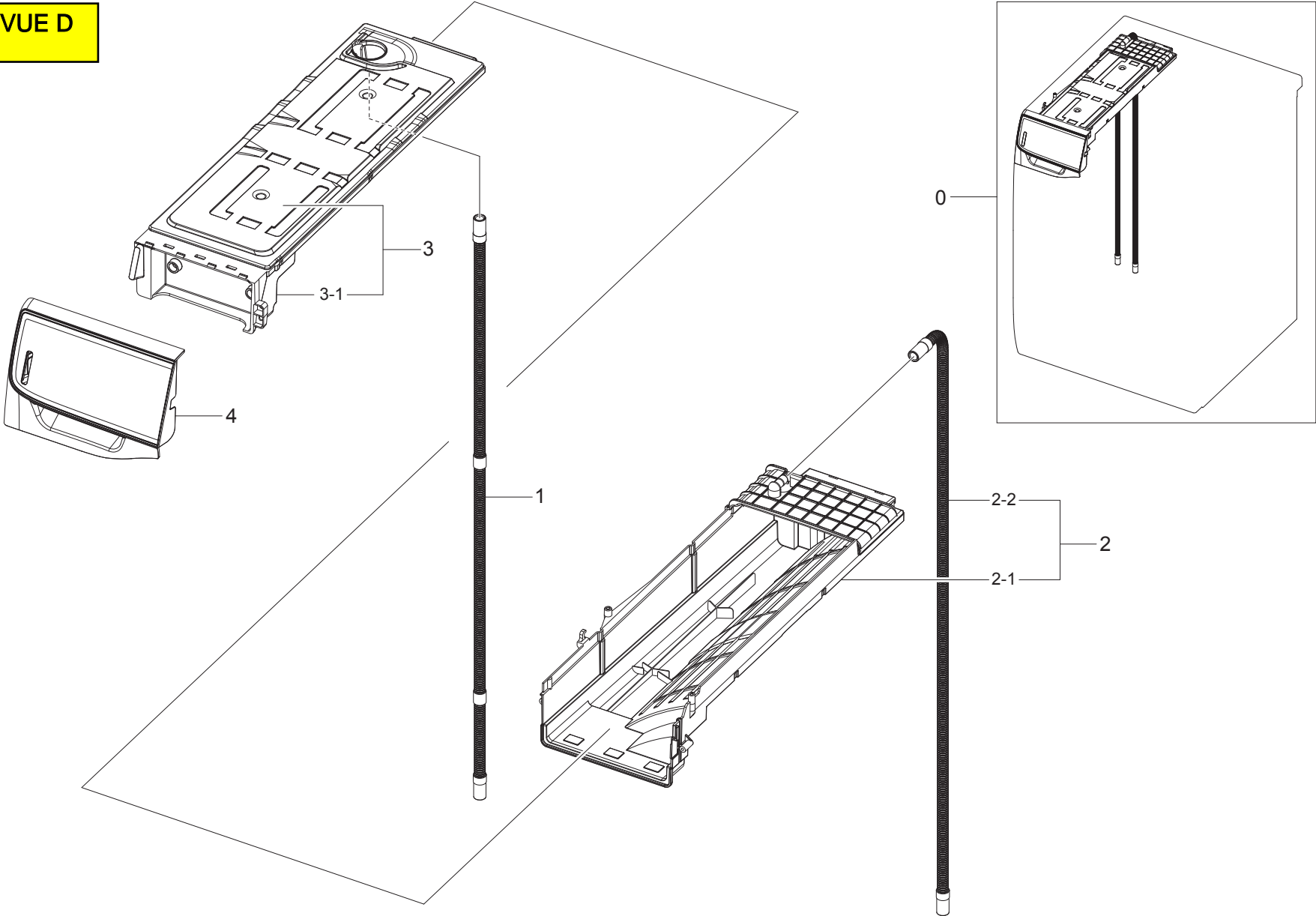


2-2-11
2-2-10
2-2-9
2-2-14
2-2-17
2-2-17-1
2-2-17-2
2-2-17-3
2-2-2
2-2-1
2-2-12
2-2-16
2-2-3
2-2-8
2-2-13
2-2-6
2-2-5
2-2-7
2-2-15

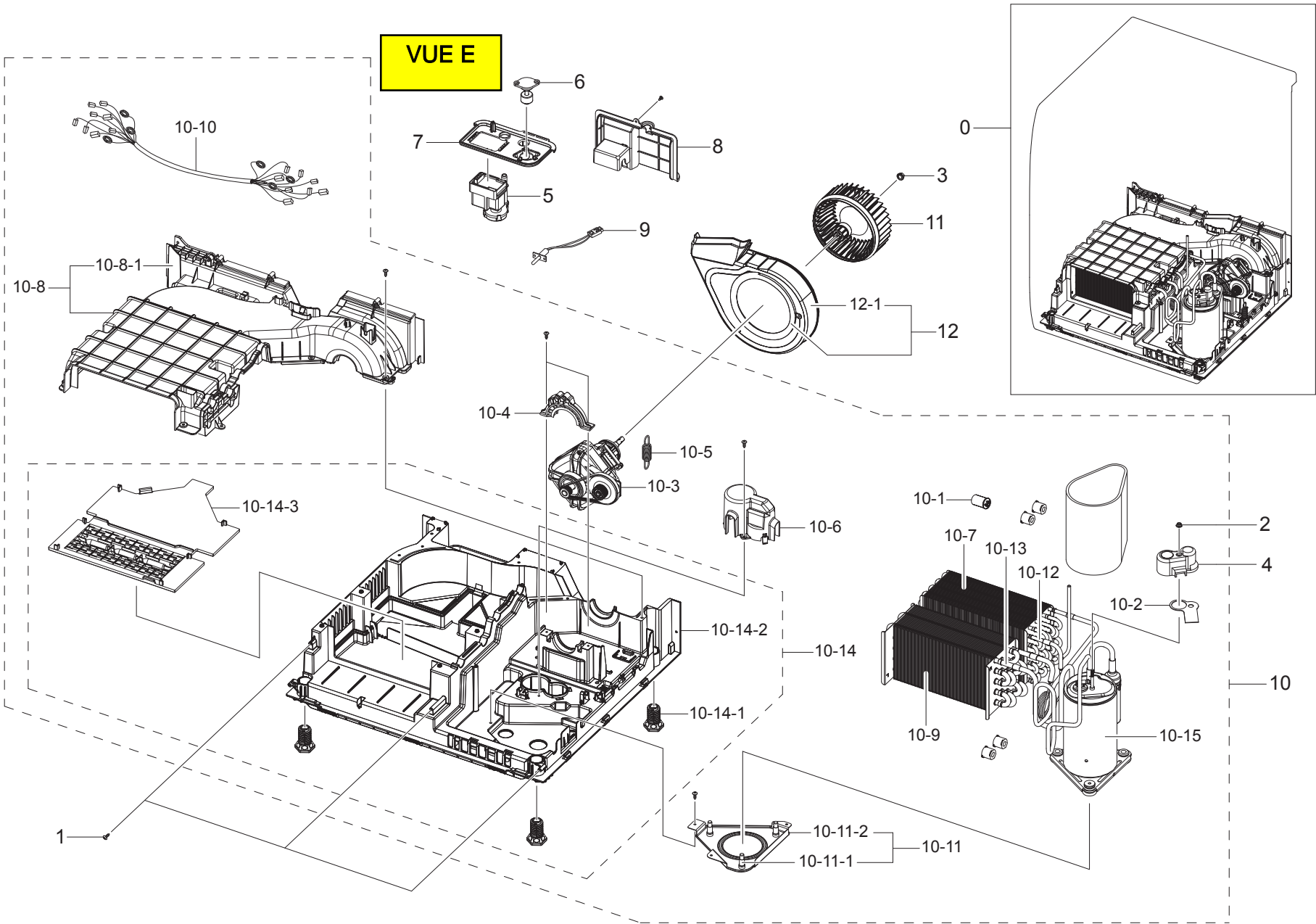


1-1
1-2
1-3
1-4-1
1-4-2
1-4
1

VUE D



VUE E

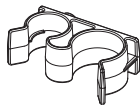




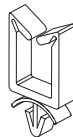
1



2



3



4



5



6

VUE F