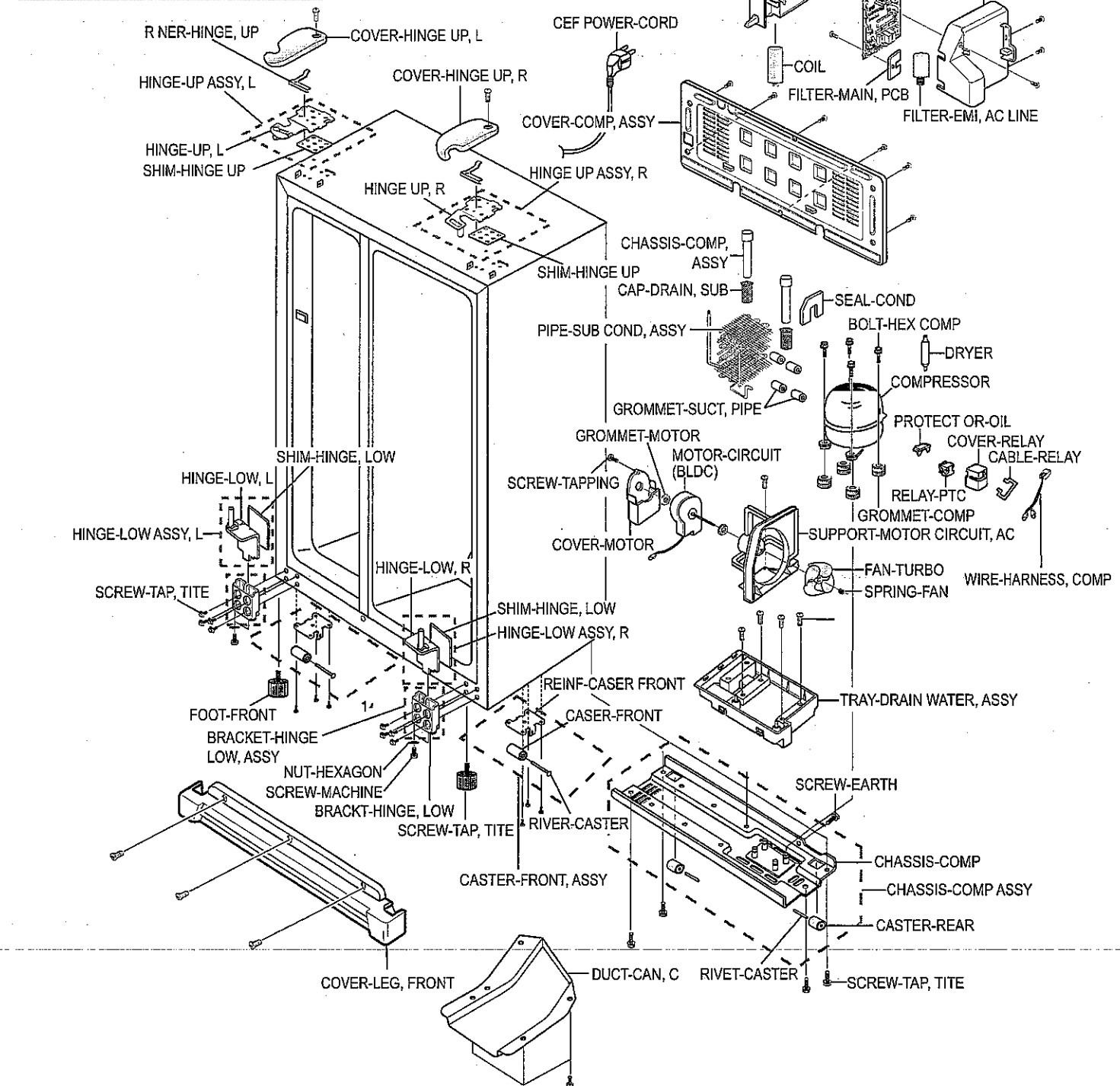
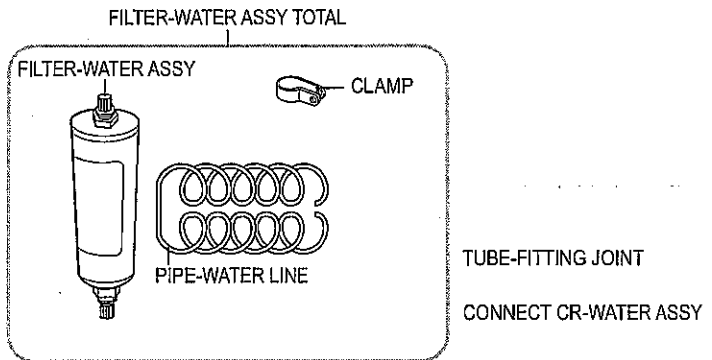
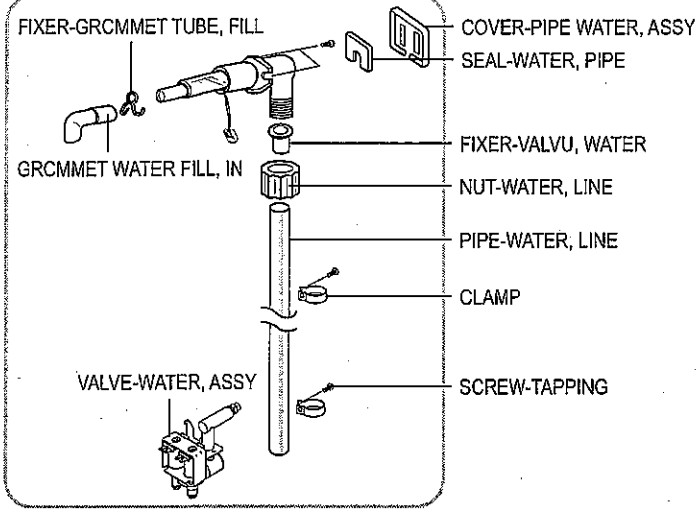


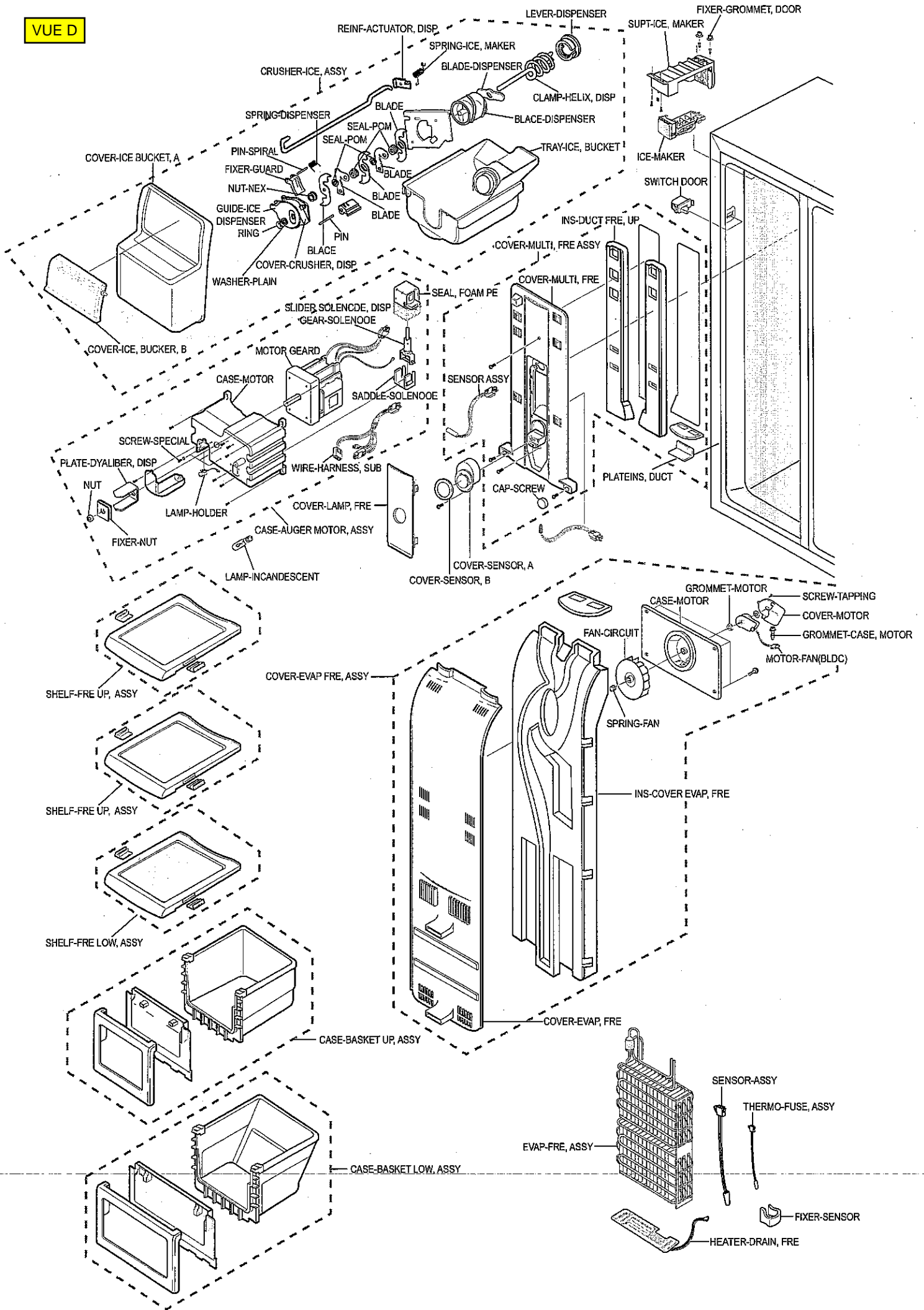




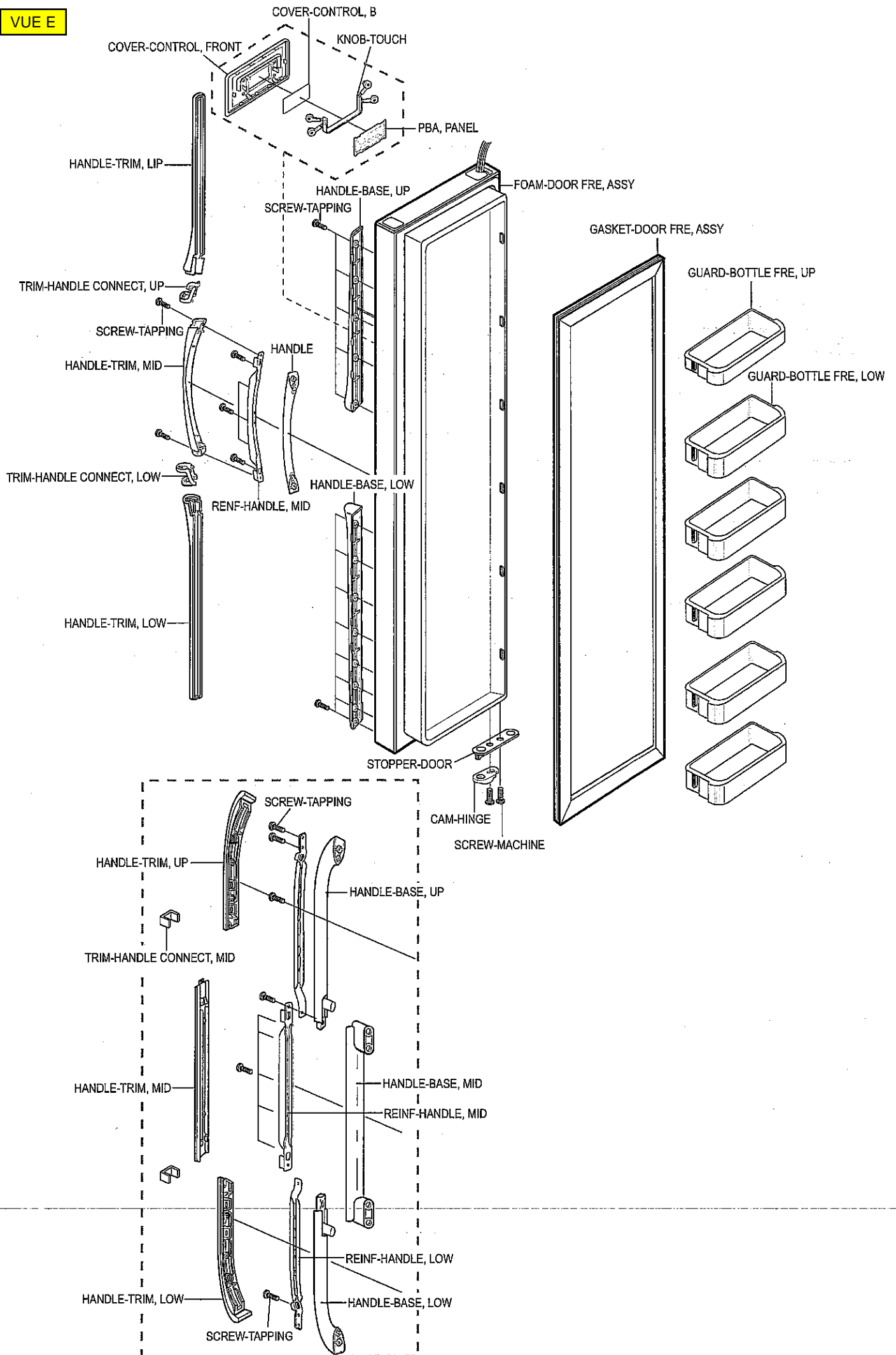
SR-S2028, S2029, S20DTC, S20FTC  
S2228, S2229, S22DTC, S22FTC



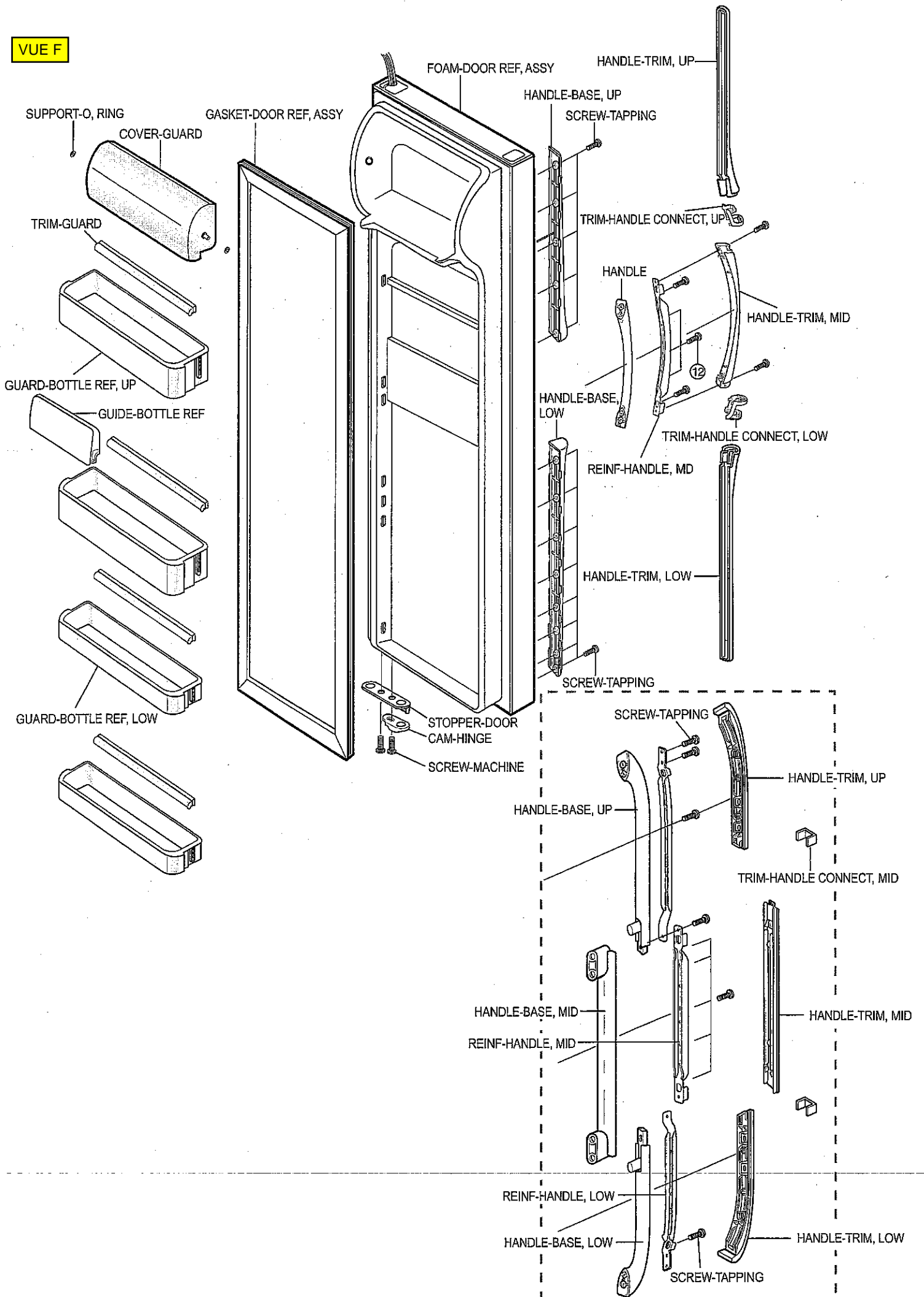
VUE D



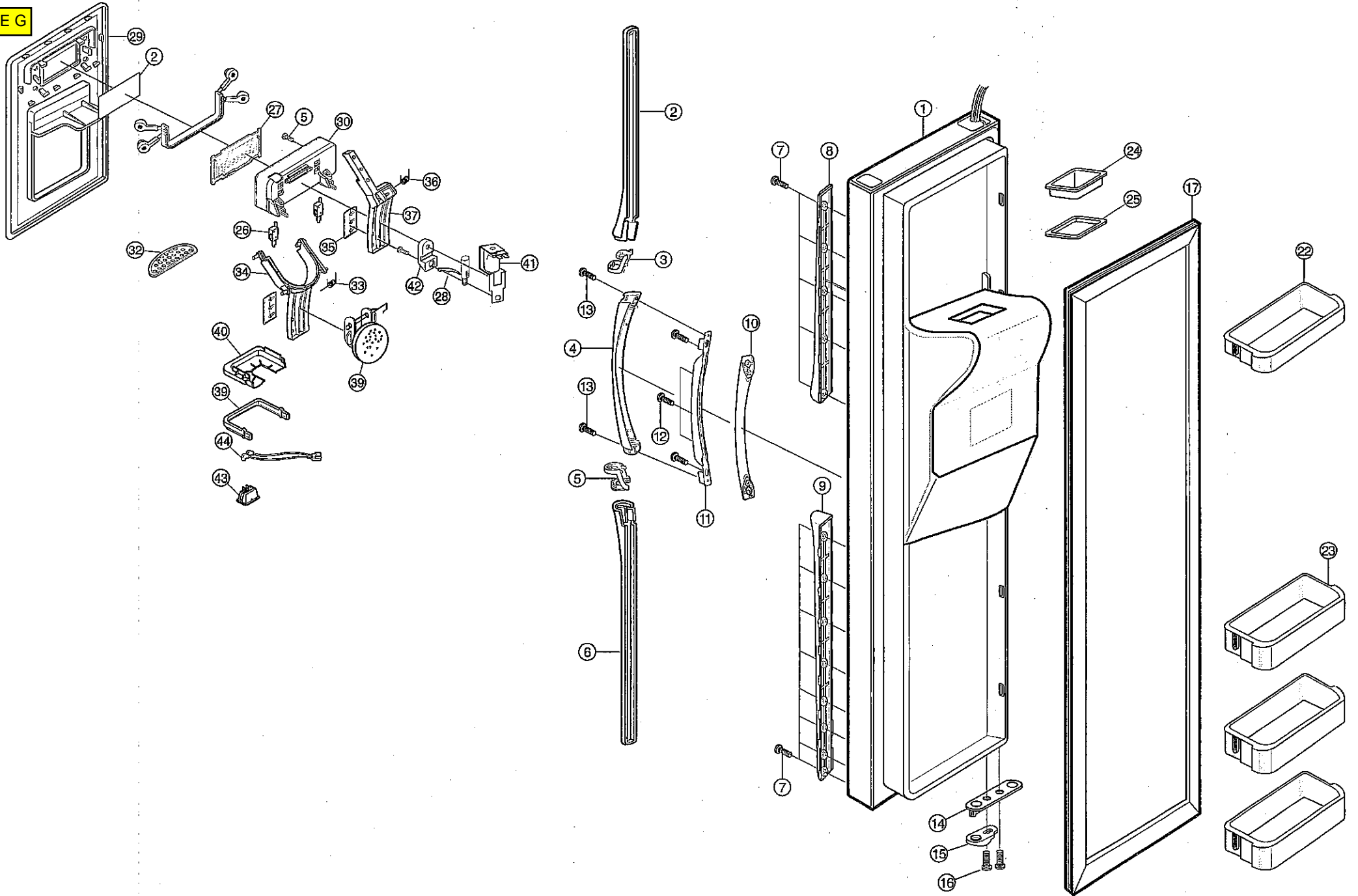
VUE E



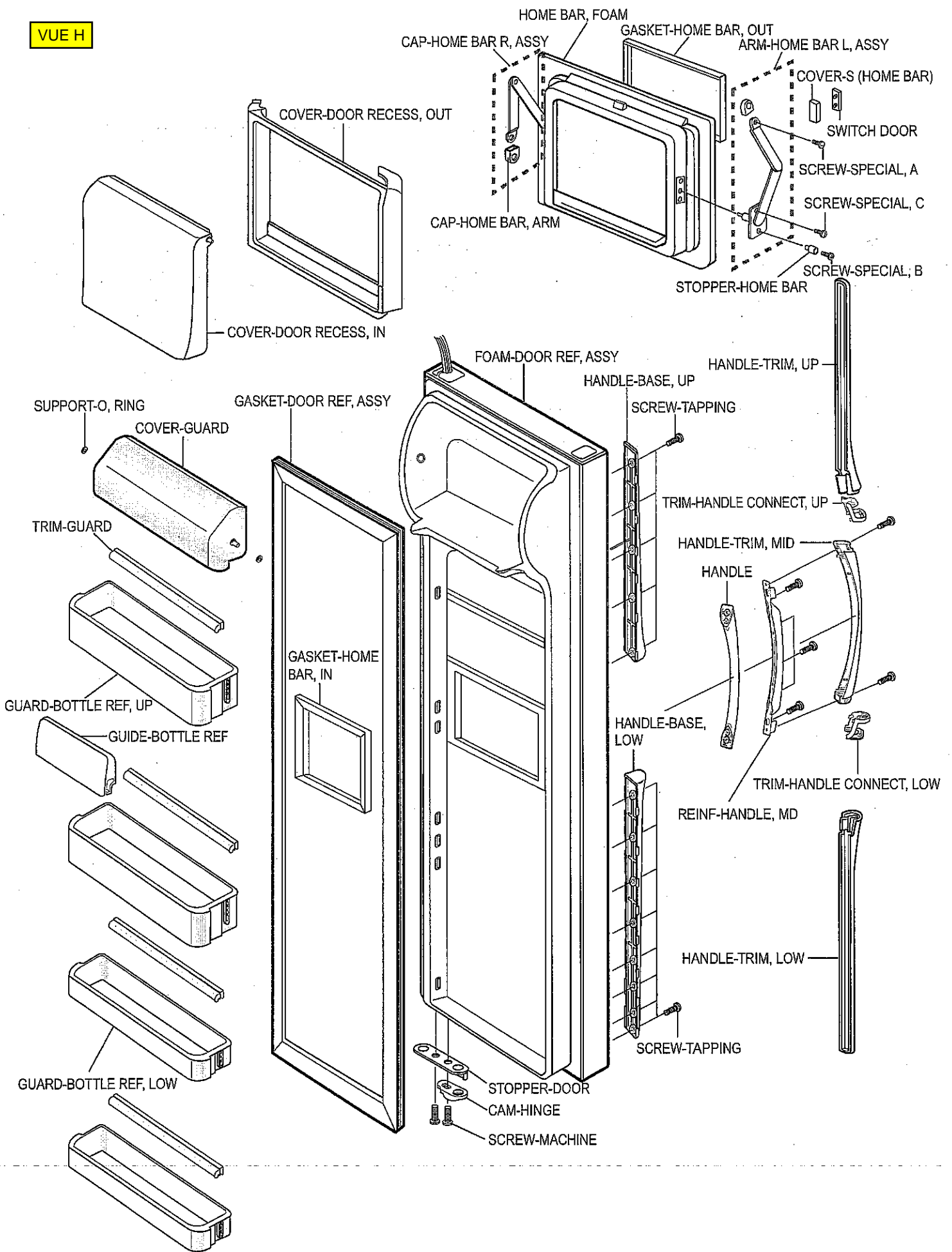
VUE F



VUE G

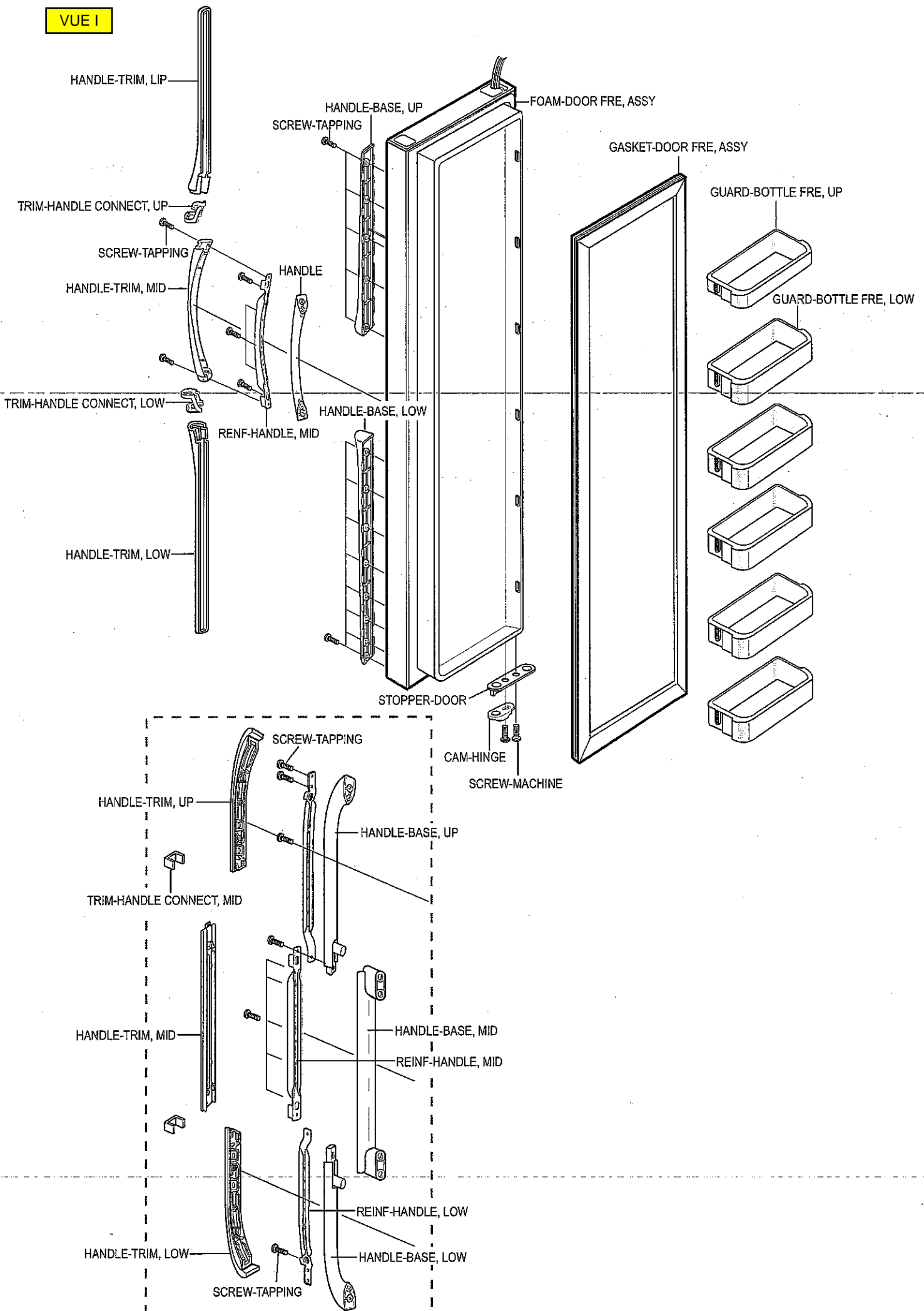


VUE H

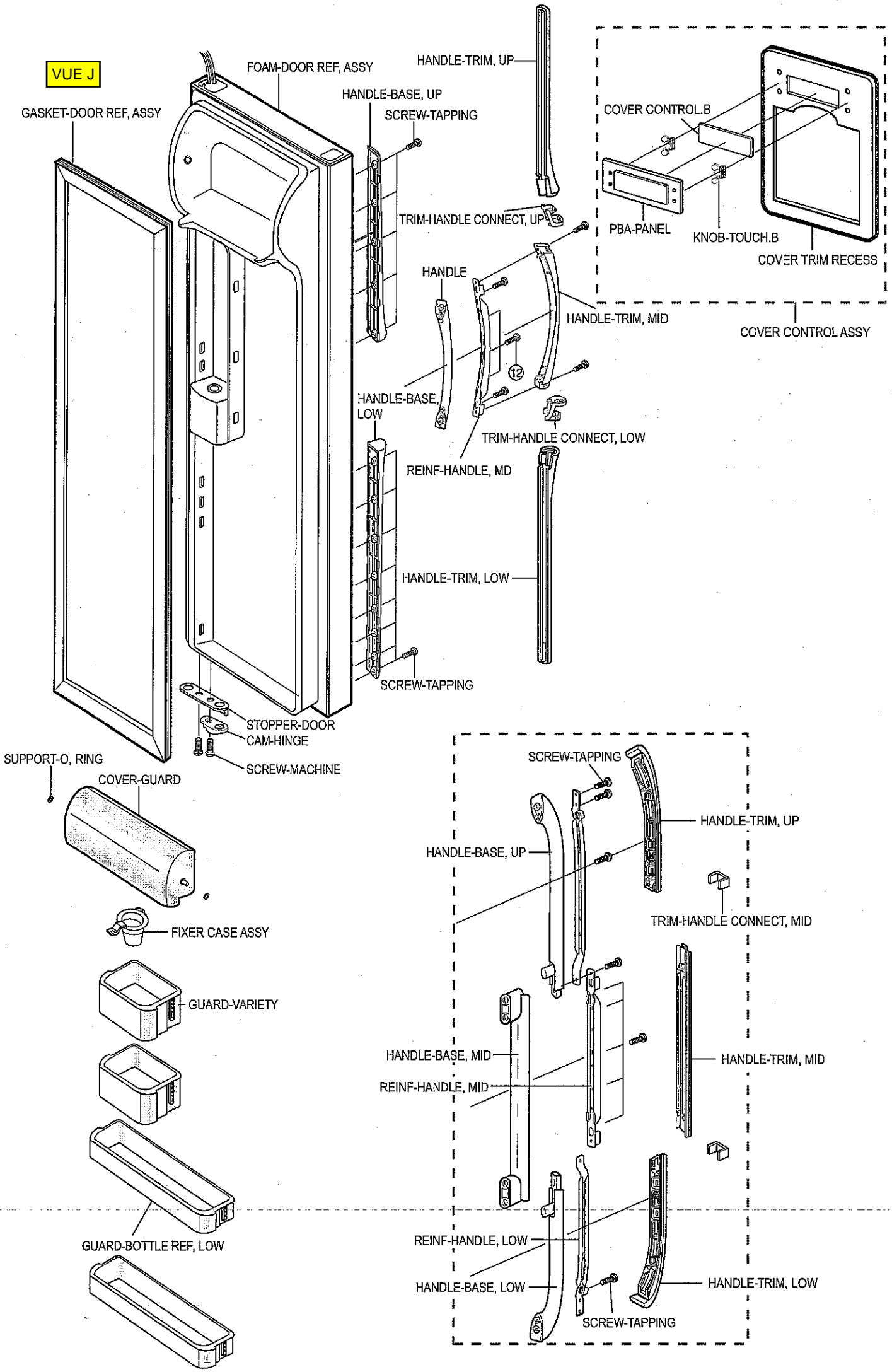




VUE 1



VUE J



GASKET-DOOR REF, ASSY

FOAM-DOOR REF, ASSY

HANDLE-TRIM, UP

HANDLE-BASE, UP

SCREW-TAPPING

TRIM-HANDLE CONNECT, UP

HANDLE

HANDLE-TRIM, MID

HANDLE-BASE, LOW

TRIM-HANDLE CONNECT, LOW

REINF-HANDLE, MD

HANDLE-TRIM, LOW

SCREW-TAPPING

STOPPER-DOOR CAM-HINGE

CAM-HINGE

SCREW-MACHINE

SUPPORT-O, RING

COVER-GUARD

FIXER CASE ASSY

GUARD-VARIETY

GUARD-BOTTLE REF, LOW

GUARD-BOTTLE REF, LOW

COVER CONTROL.B

PBA-PANEL

KNOB-TOUCH.B

COVER TRIM RECESS

COVER CONTROL ASSY

SCREW-TAPPING

HANDLE-BASE, UP

HANDLE-TRIM, UP

TRIM-HANDLE CONNECT, MID

HANDLE-BASE, MID

REINF-HANDLE, MID

HANDLE-TRIM, MID

REINF-HANDLE, LOW

HANDLE-BASE, LOW

SCREW-TAPPING

HANDLE-TRIM, LOW