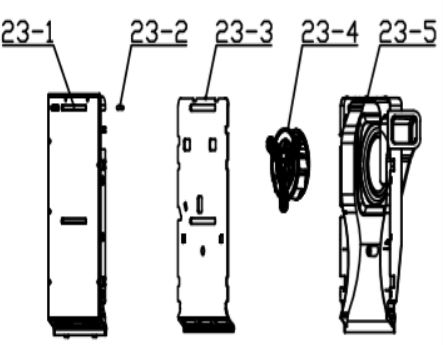
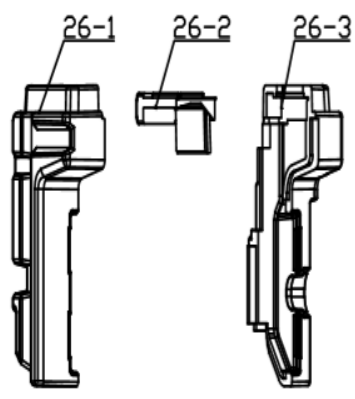


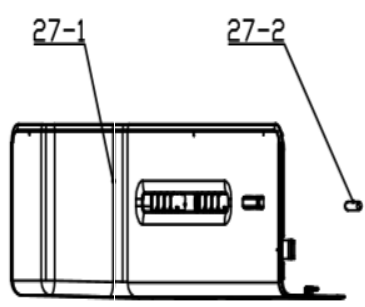
NO.23



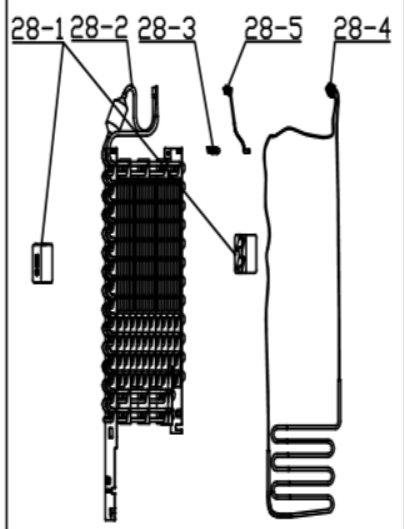
NO.26



NO.27



NO.28



NO.29&32

