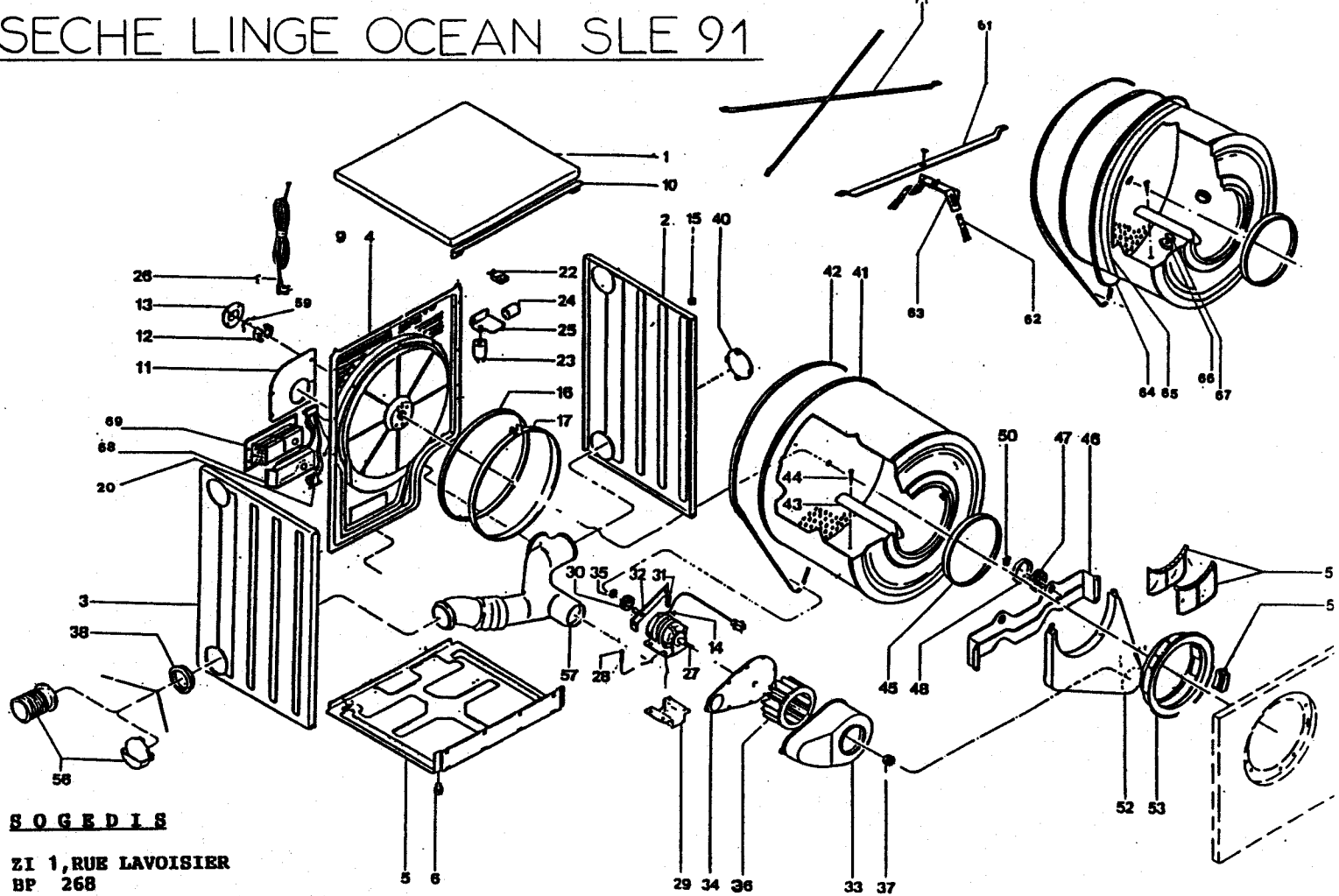


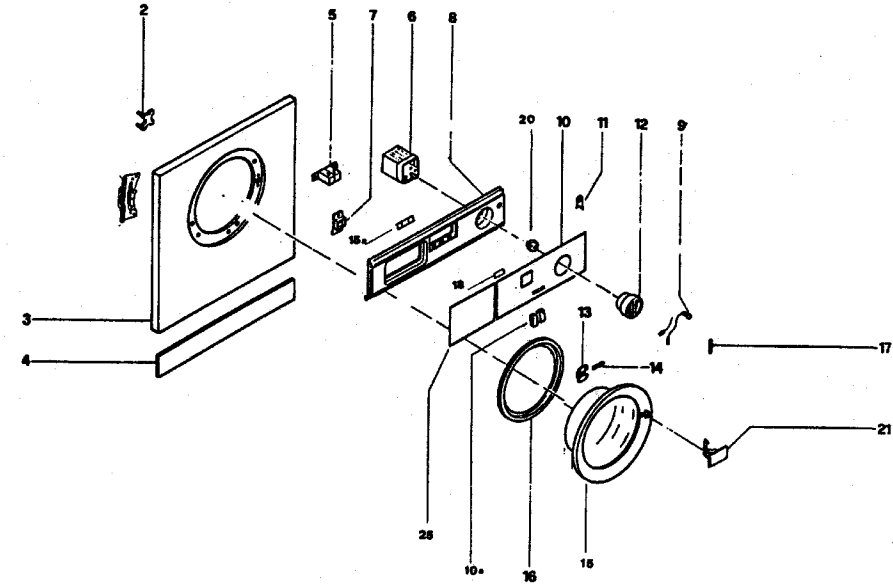
SECHE LINGE OCEAN SLE 91



SOGEDIS

ZI 1, RUE LAVOISIER
BP 268

03/90



LISTE PIECES DETACHEES FACADE SECHE LINGE SLE 91

REF VUE	REF PIECE	DESIGNATION	PRIX
1	40562000100R	CHARNIERE	Y 1
2	30231000100R	MICRO INTERRUPTEUR	Q 1
3	4150000300R	PANNEAU FRONTAL	P 5
4	345850001COR	SOCLE	P 1
5	30251000900R	CLAVIER A TOUCHE	H 3
6	30061011600R	TIMER 8310	X 9
7	346750001NOR	PLAQUETTE MICRO	C 1
8	34015009200R	TABLEAU DE BORD	A 3
9	30181001200R	LAMPE TEMOIN	G 1
10	33935033800R	PLAQUE DROITE TABLE BORD	C 2
10 A	34915000130R	BOUTON POUSSOIR	B 1
11	347450002NOR	MANCHON ANTI RETOUR	A 1
12	35145000500R	MANETTE TIMER	E 1
13	344350001NOR	PLAQUE POIGNEE	F 1
14	31282000200R	RESSORT POIGNEE	A 1
15	40520001500R	PORTE	V 5
15 A	347050001COR	ETRIER	A 1
16	32423000200R	JOINT PORTE	U 1
17	31332000100R	AXE POIGNEE	A 1
18	354950002LOR	CACHE LAMPE	A 1
20	353750001NOR	ADAPTATION MANETTE PG	E 1
21	34145000230R	POIGNEE	D 1
25	33975048200R	PLAQUE	P 1

LISTES PIECES DETACHEES SECHE LINGE SLE 91

REF VUE	REF PIECE	DESIGNATION	PRIX
1	40340000700R	DESSUS	O 5
2	40720000200R	PANNEAU DROIT	R 4
3	40720000100R	PANNEAU GAUCHE	R 4
4	40930000500R	TOLE ARRIERE	W 6
5	30702000100R	SOCLE	A 6
6	20625000100R	PIED	C 1
9	30882000100R	EQUERRE RENFORCEMENT	C 1
10	30442000400R	ENTRETOISE	L 1
11	30672000100R	TOLE ARRIERE	G 1
12	347350001NOR	PALIER	E 1
13	354650001NOR	BOITE PALIER	G 1
14	30722000100R	BRIDE FIXAGE RESSORT	D 1
15	305220004NOR	BRIDE FIXAGE DESSUS	B 1
16	3726D000100R	GARNITURE EN FEUTRE	X 1
17	31322000200R	COLLIER	H 1
19	30051002200R	RESISTANCE	Z 5
20	30071001700R	THERMOSTAT	G 2
21	356150001COR	SUPPORT	D 1
22	30201000500R	BOITE BRANCHEMENT	F 1
23	30221002300R	CONDENSATEUR	T 2
24	30211000900R	FILTRE ANTIPARASITE	B 2
26	30011002100R	CORDON ALIMENTATION	I 2
27	30151001200R	MOTEUR	O 9
28	21106001300R	VIS SUPPORT MOTEUR	A 1
29	31062000100R	SUPPORT MOTEUR	H 1
30	40410000300R	ROUE TENDEUR COURROIE	T 1
31	31302000400R	RESSORT TENDEUR COURROIE	D 1
32	31452000200R	LEVIER TENDEUR COURROIE	I 2
33	34285000130R	CONDUIT AIR	Z 1
34	34275000130R	COUVERCLE CONDUIT AIR	Q 1
35	21346000100R	BAGUE ARRET	A 1
36	40710000700R	VENTILATEUR	X 2
37	30732000100R	ECROU	D 1
38	34255000530R	ADAPTATEUR	D 1
40	34575000230R	BOUCHON	D 1
41	40880000200R	CUVE	R 9
42	32683000600R	COURROIE	V 2
43	342950001AOR	LAME	G 1
44	21106001300R	VIS FIXATION	A 1
45	3728A000100R	GARNITURE EN FEUTRE	I 1
46	41120000100R	ENTRETOISE	Y 1
47	3725D000100R	POULIE	H 1
48	32663000100R	JOINT CAOUTCHOUC	C 1
50	21346000100R	ANNEAU RESSORT	A 1
51	40210000600R	DEMI FILTRE	S 1
52	40220000700R	CONDUIT FILTRE	F 5
53	34515000100R	SUPPORT	W 1
55	40210000500R	FILTRE	F 1
56	40250000700R	TUBE FLEXIBLE (OPTION)	
57	345650002NOR	TUBE VIDANGE VAPEUR	W 4
59	31292000100R	MASSE ELECTRIQUE	A 1
60	31672000200R	RONDELLE	A 1
61	37432000100R	ENTRETOISE BALAI	Q 1
62	37441000100R	BALAI	D 2
63	37455000100R	SUPPORT BALAI	D 1
64	37462000200R	BANDE CONTACT	R 2
65	37465000100R	BANDE ISOLANTE	C 3
66	37481000100R	BASE ISOLANTE	D 1
67	41630000100R	ELECTRODE	L 1
68	37492000100R	BOITE DE RESISTANCE	F 1
69	37502000100R	COUVERCLE BOITE RESISTAN	H 1
70	34612000300R	TIRANT	D 1
SR	40250000900R	KIT DE SUPERPOSITION (OPTION)	