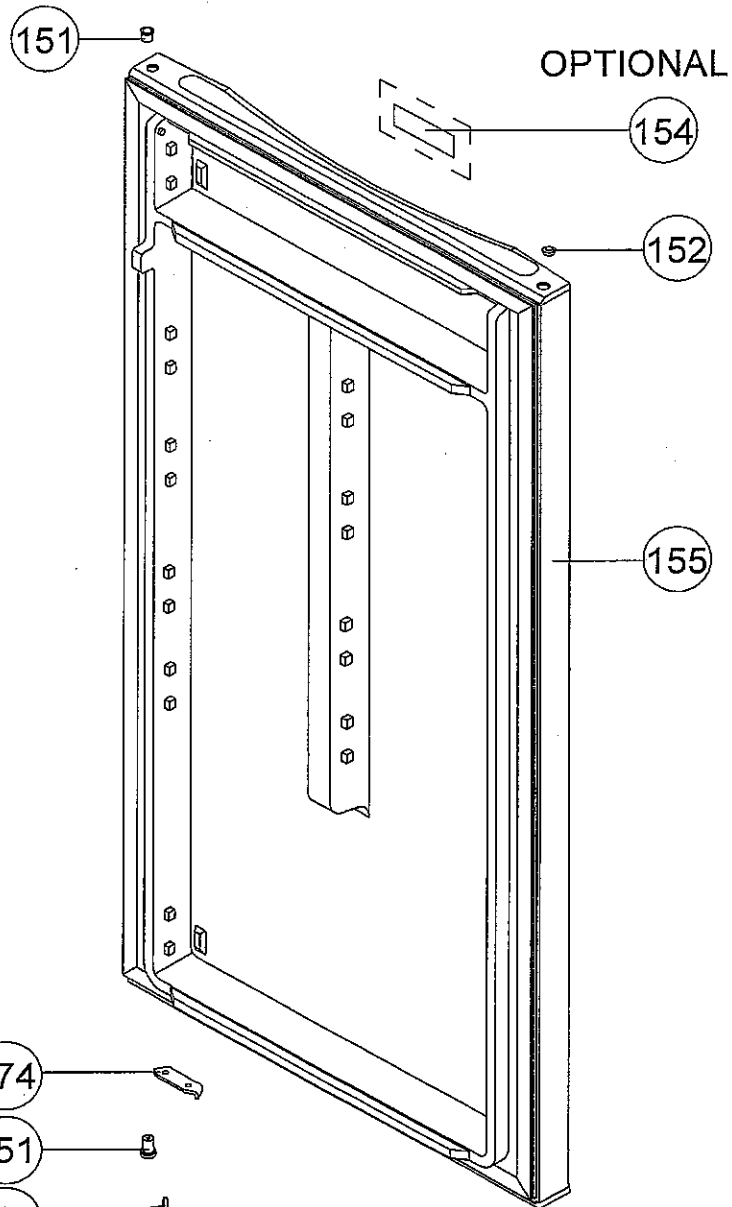
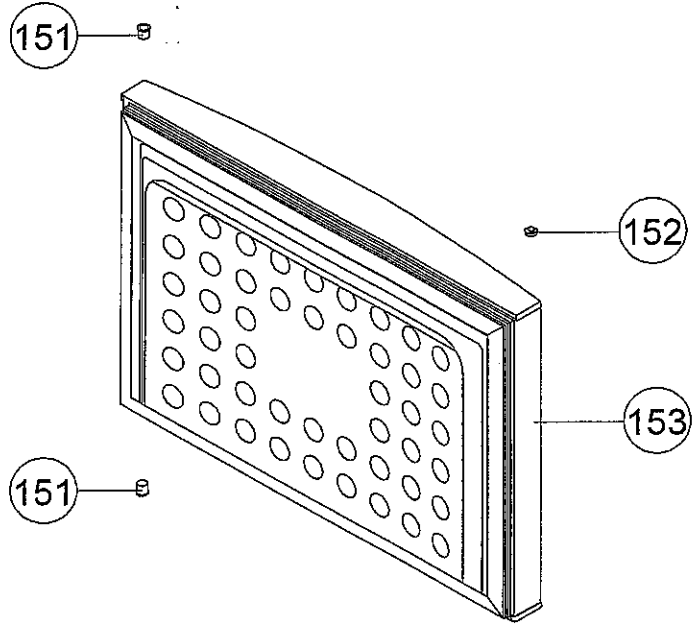
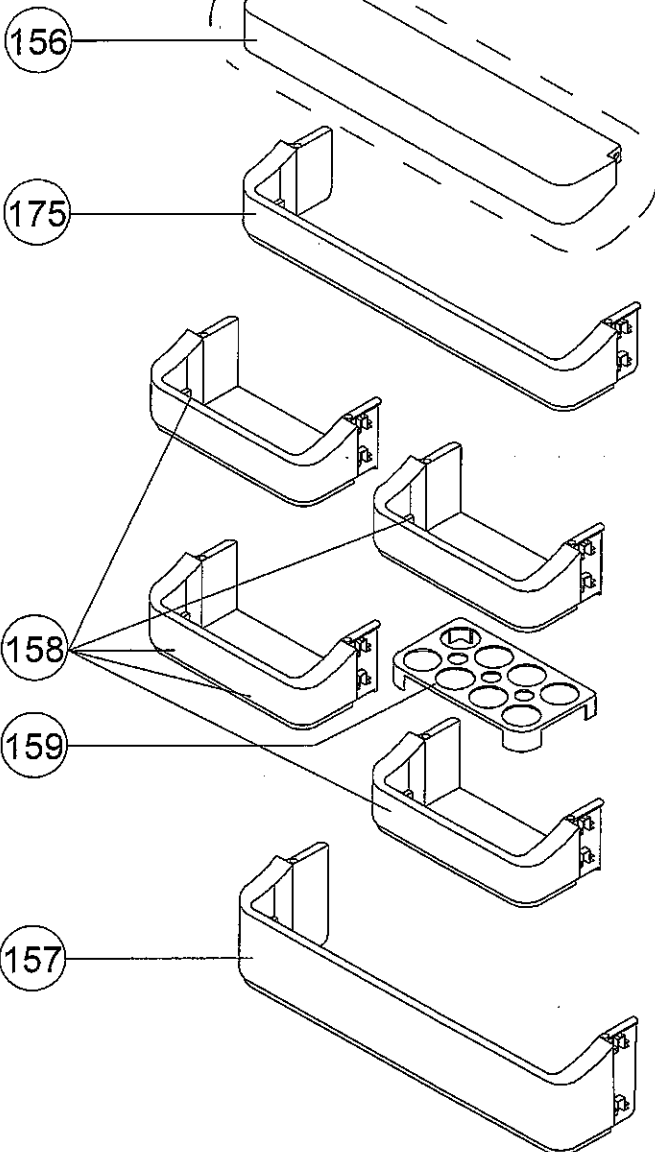


NOTE : On this exploded view, standard accessories drawings are used. According to your product, some changes may become on the accessories.

BXD DOOR SHELF DESIGN



OPTIONAL



FULL WIDTH DESIGN

