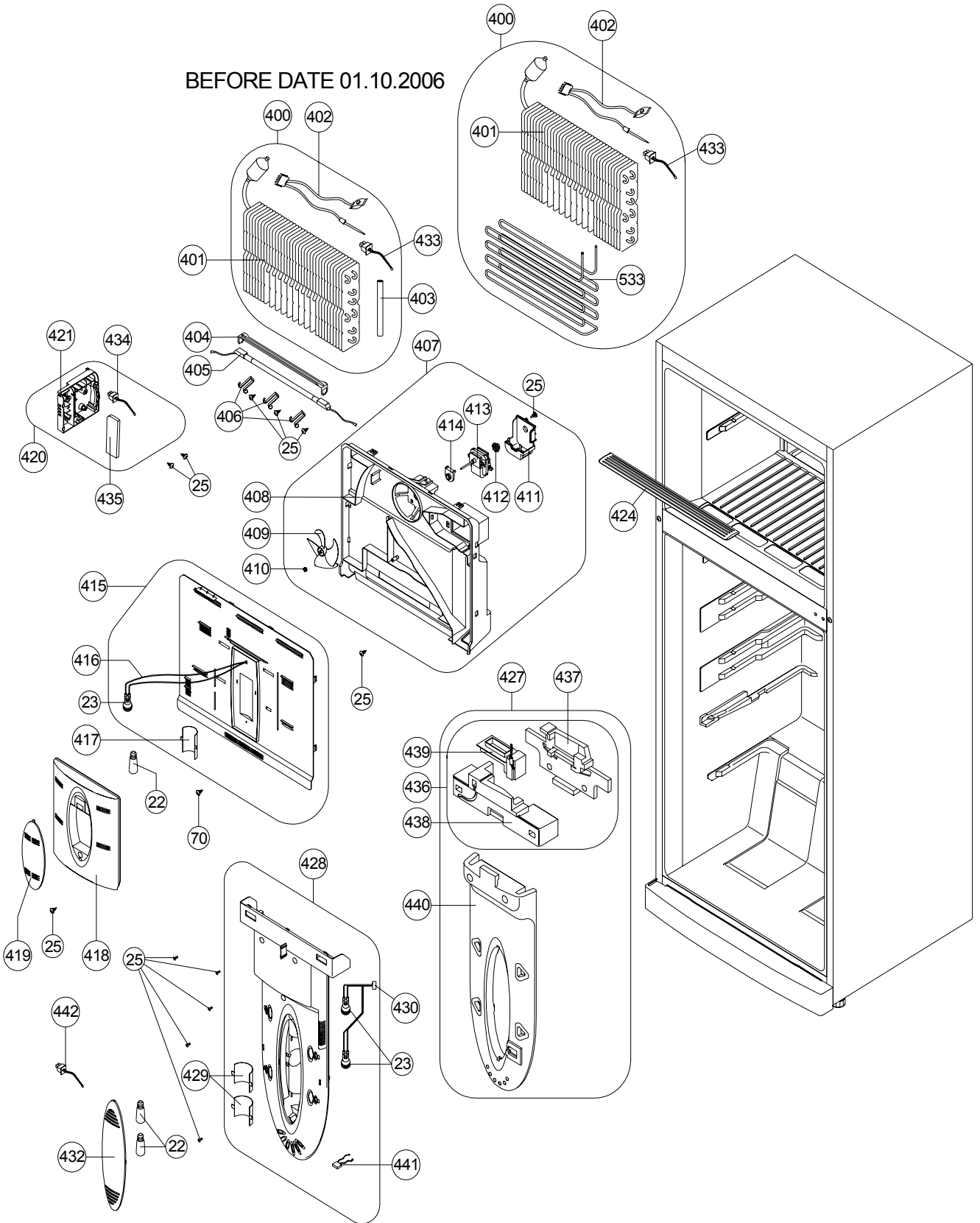


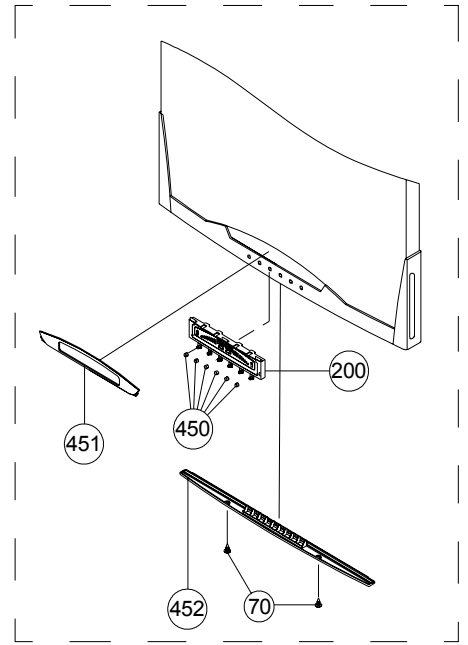
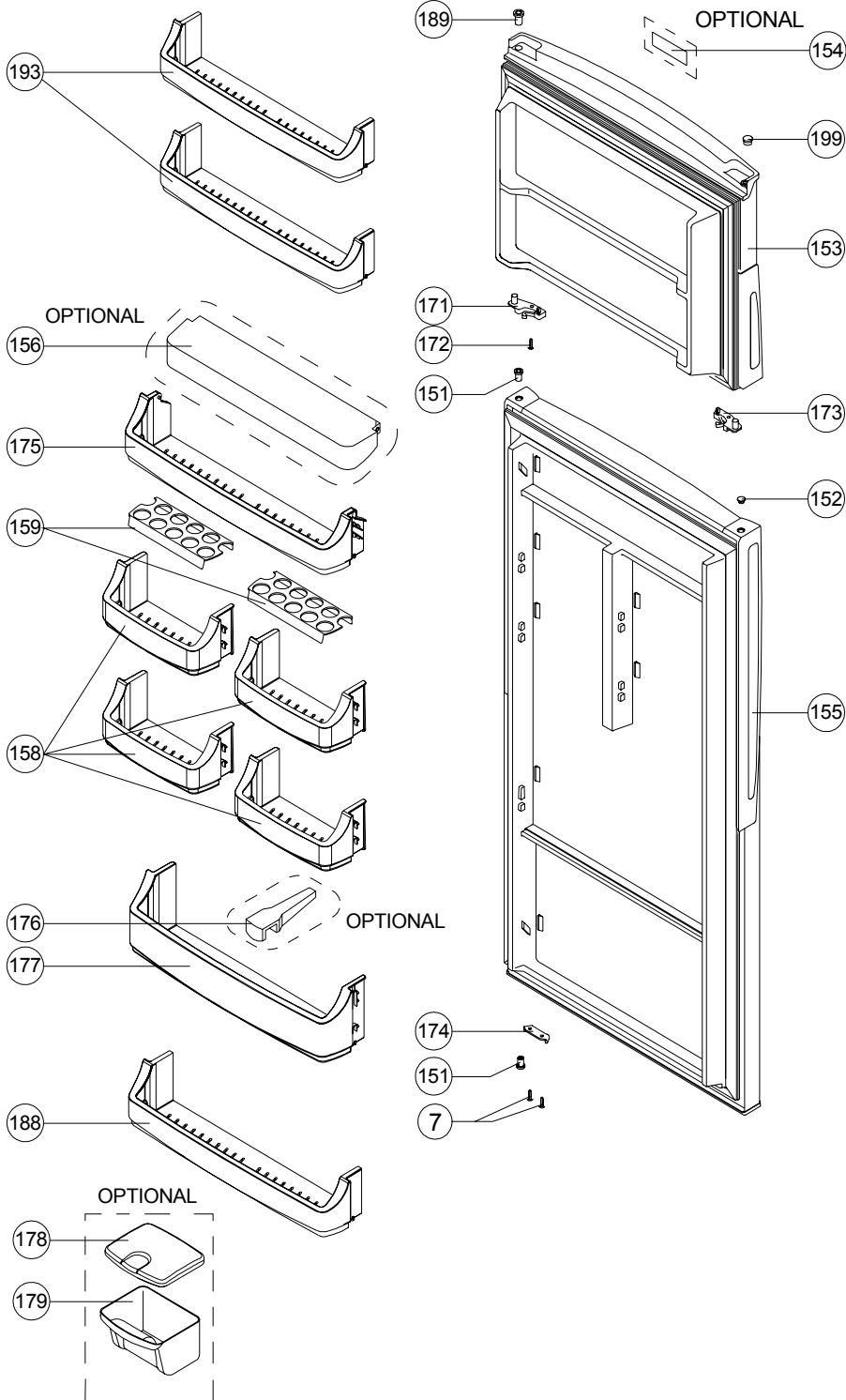
**NOTE : On this exploded view, standard accessories drawings are used. According to your product, some changes may became on the accessories.**

AFTER DATE 01.10.2006

BEFORE DATE 01.10.2006



# ELECTRONIC CONTROL



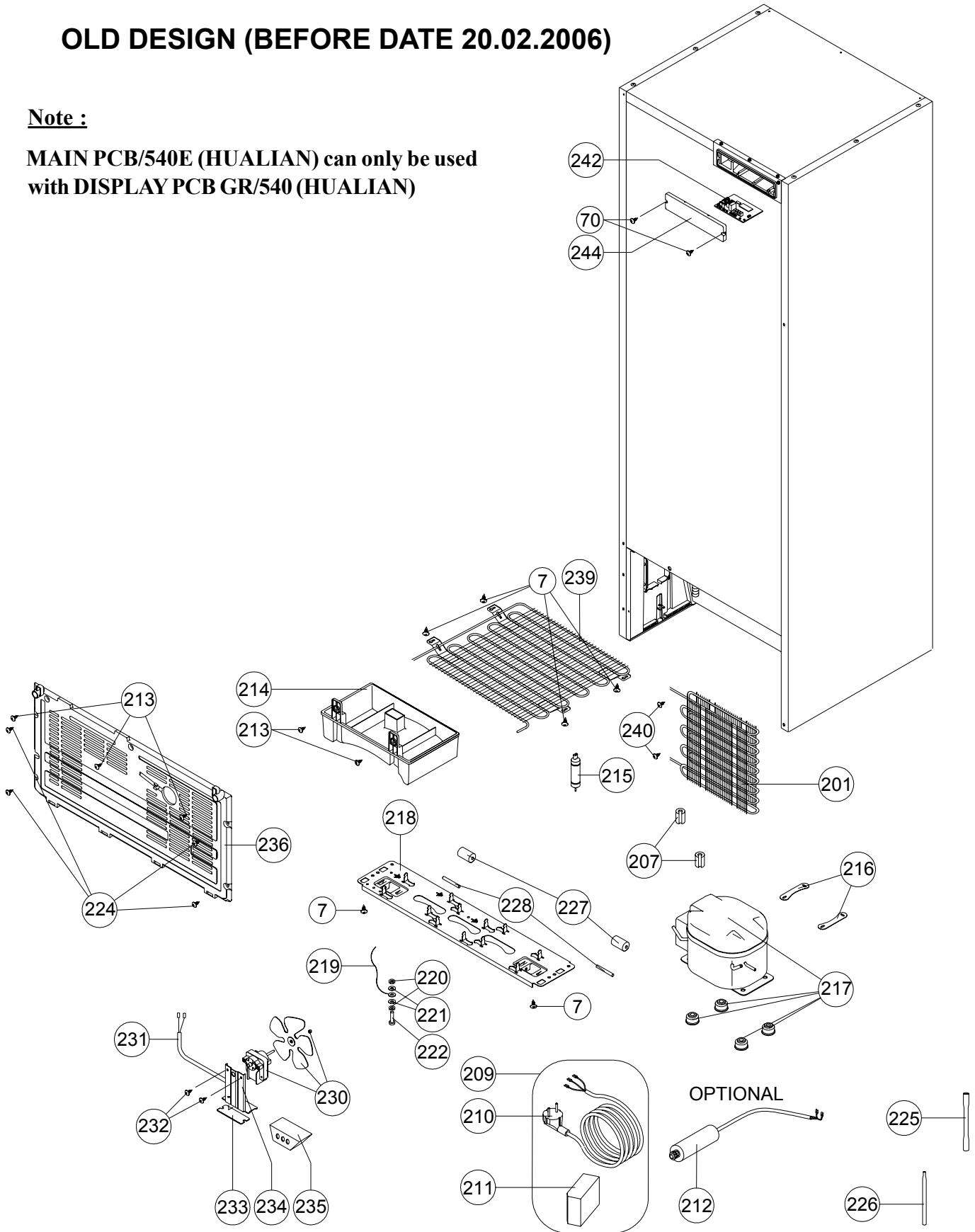
## **Note :**

**DISPLAY PCB GR/540 (HUALIAN) can only be used with MAIN PCB/540E (HUALIAN)**

# OLD DESIGN (BEFORE DATE 20.02.2006)

## Note :

MAIN PCB/540E (HUALIAN) can only be used  
with DISPLAY PCB GR/540 (HUALIAN)



# NEW DESIGN (AFTER DATE 20.02.2006)

