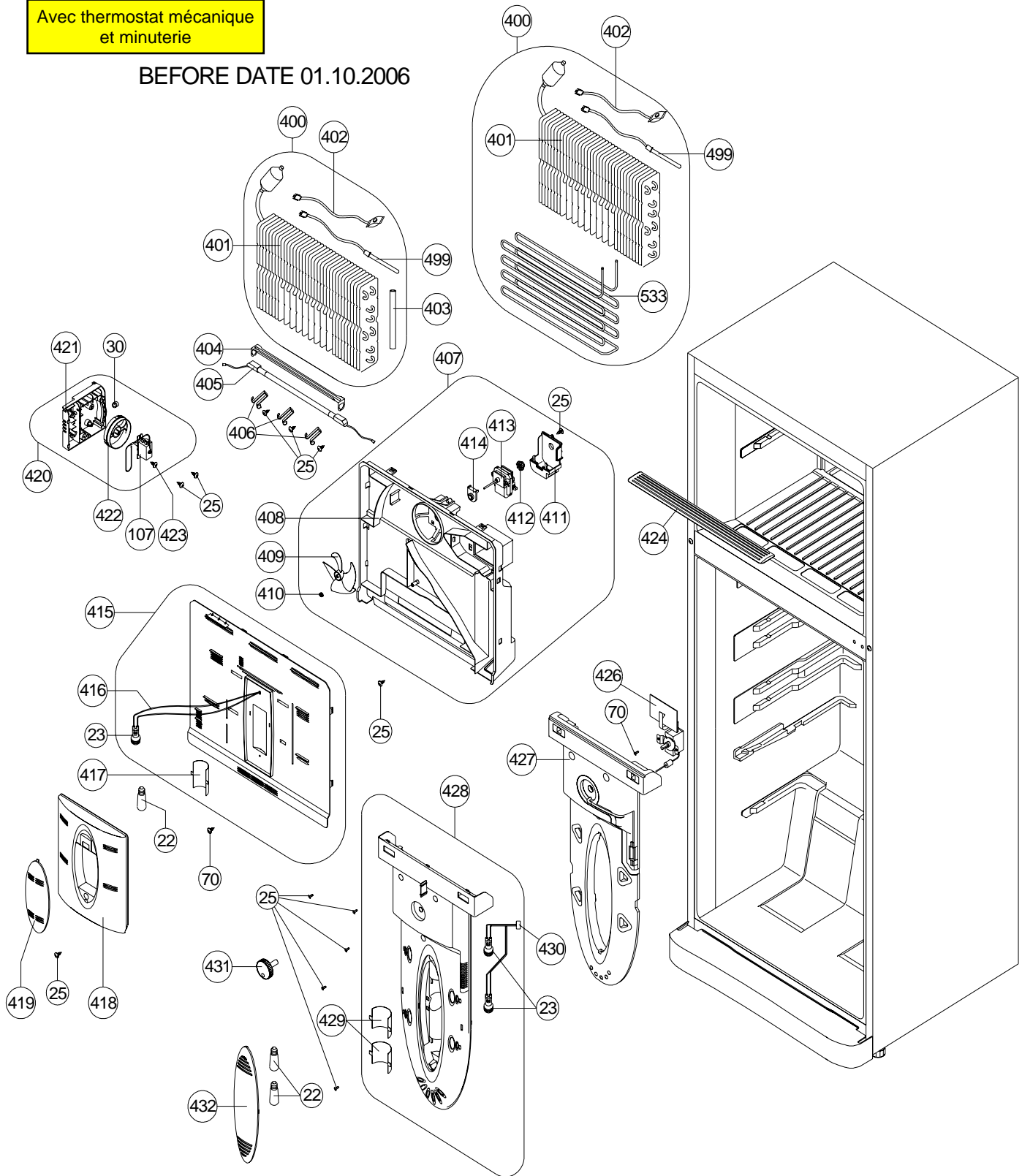
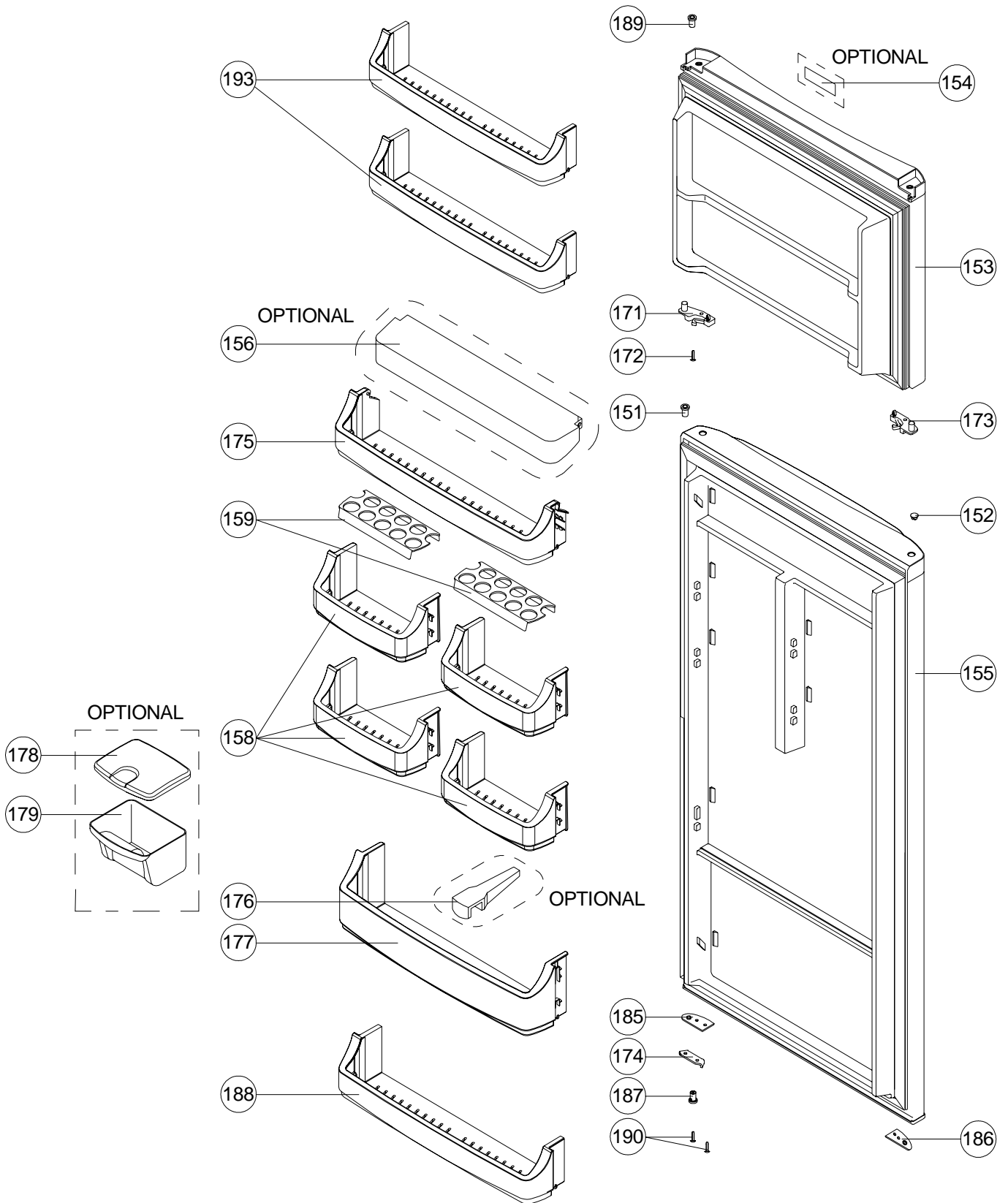


AFTER DATE 01.10.2006

Avec thermostat mécanique
et minuterie

BEFORE DATE 01.10.2006



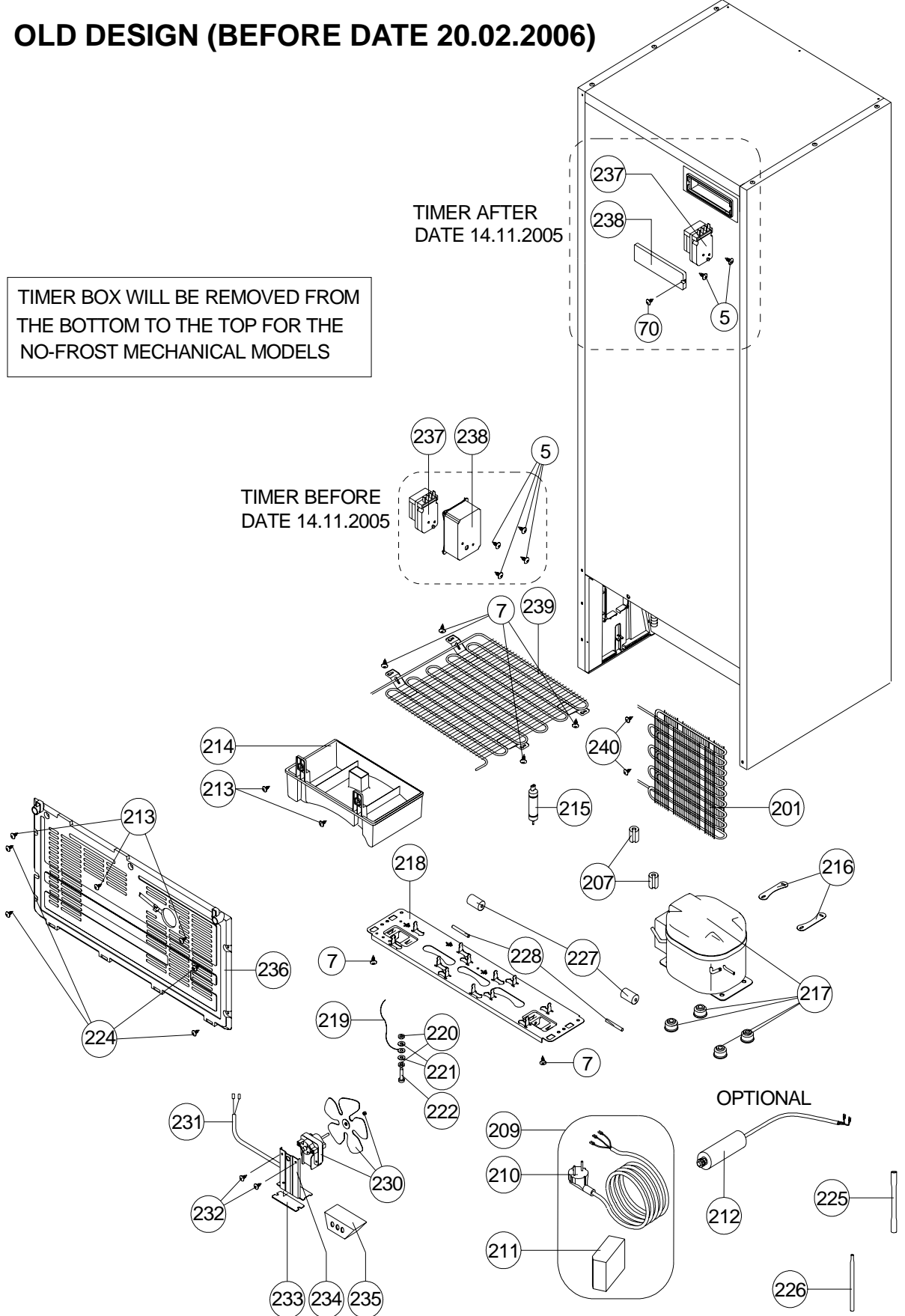


OLD DESIGN (BEFORE DATE 20.02.2006)

TIMER AFTER
DATE 14.11.2005

TIMER BOX WILL BE REMOVED FROM
THE BOTTOM TO THE TOP FOR THE
NO-FROST MECHANICAL MODELS

TIMER BEFORE
DATE 14.11.2005



NEW DESIGN (AFTER DATE 20.02.2006)

