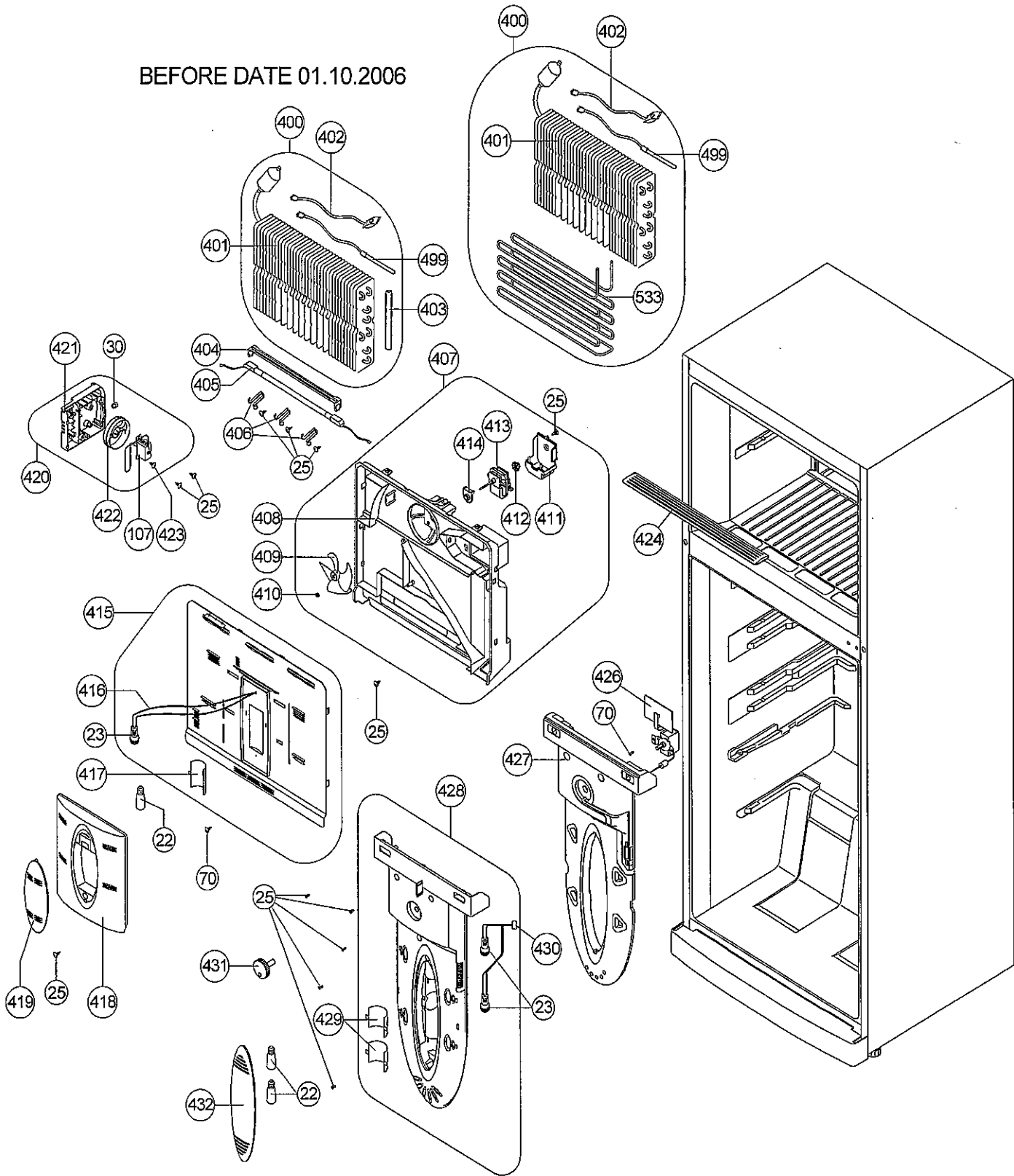
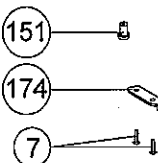
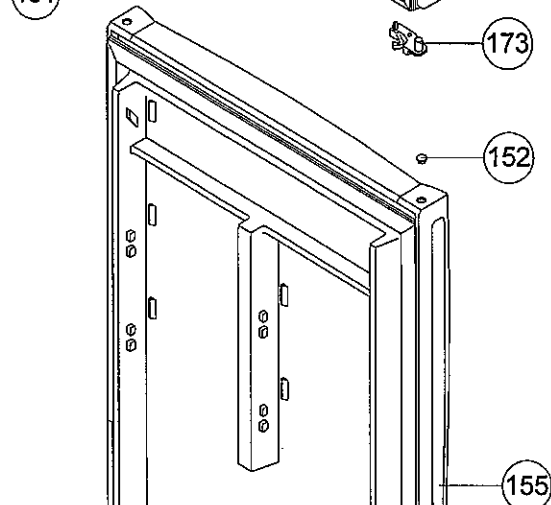
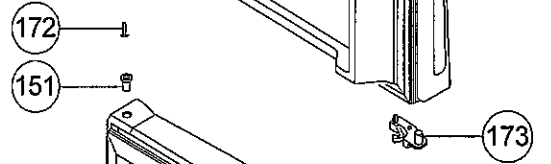
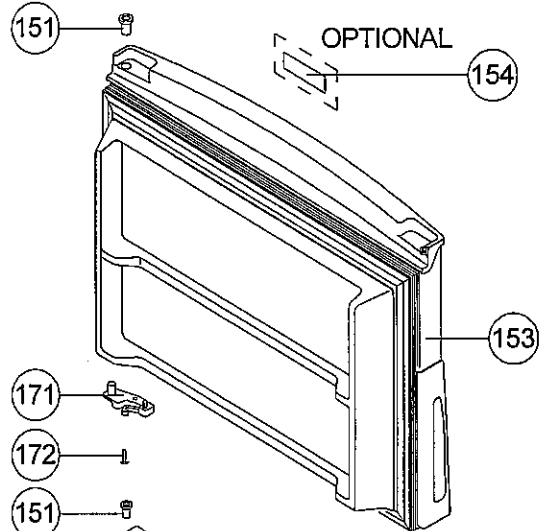
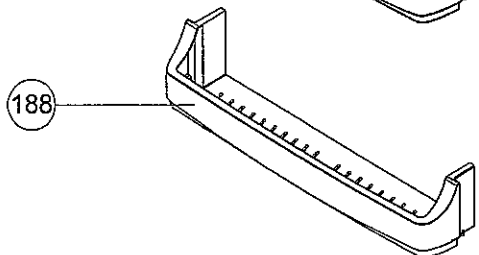
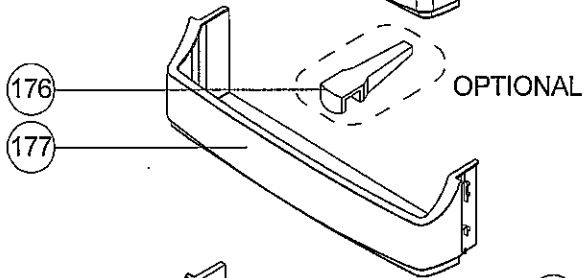
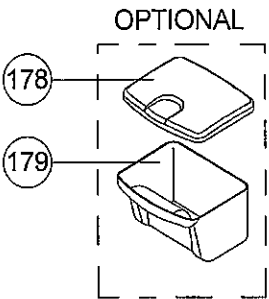
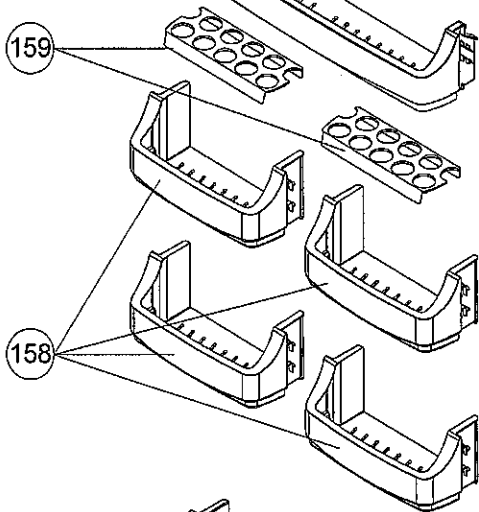
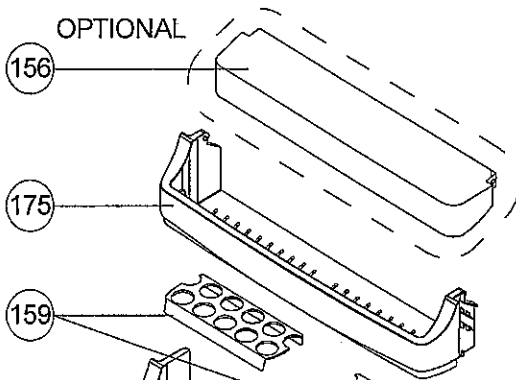
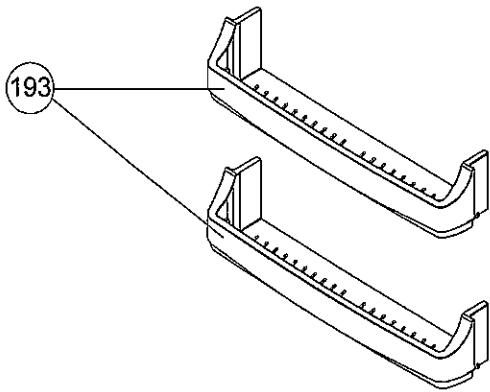


AFTER DATE 01.10.2006

BEFORE DATE 01.10.2006





OLD DESIGN (BEFORE DATE 20.02.2006)

TIMER BOX WILL BE REMOVED FROM THE BOTTOM TO THE TOP FOR THE NO-FROST MECHANICAL MODELS

TIMER AFTER
DATE 14.11.2005

TIMER BEFORE
DATE 14.11.2005

