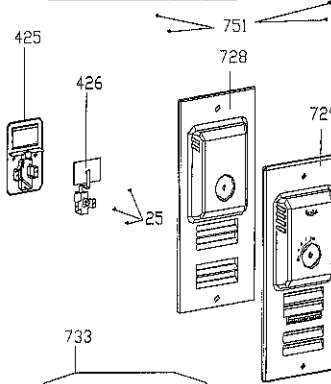
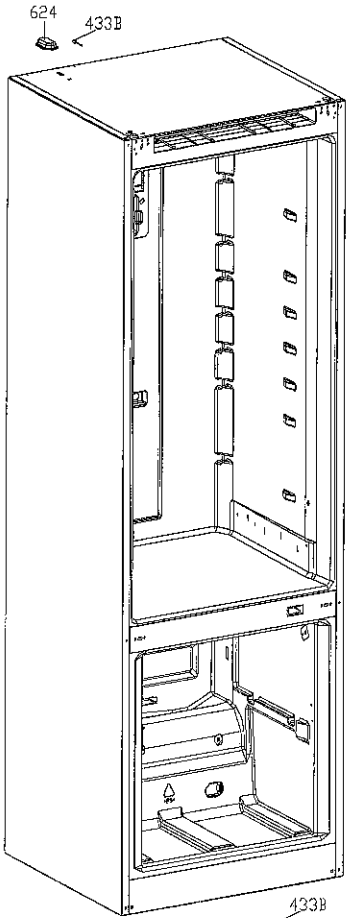
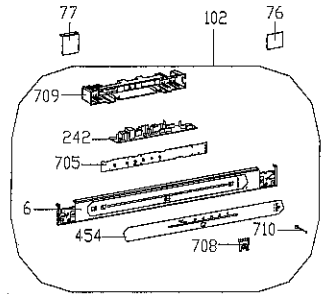
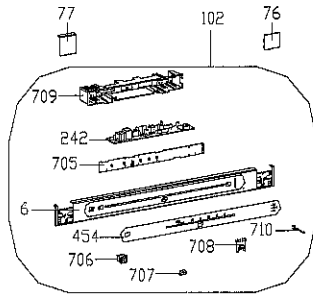
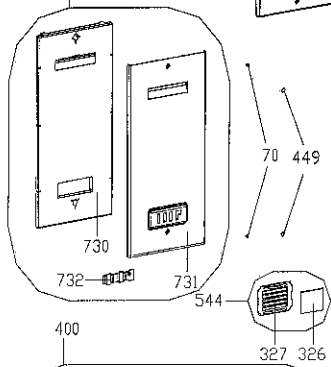
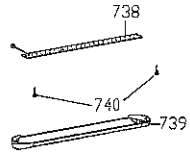


BEFORE 10 OCTOBER 2013

AFTER 10 OCTOBER 2013



WITH LED VERSION



WITH LAMP VERSION

