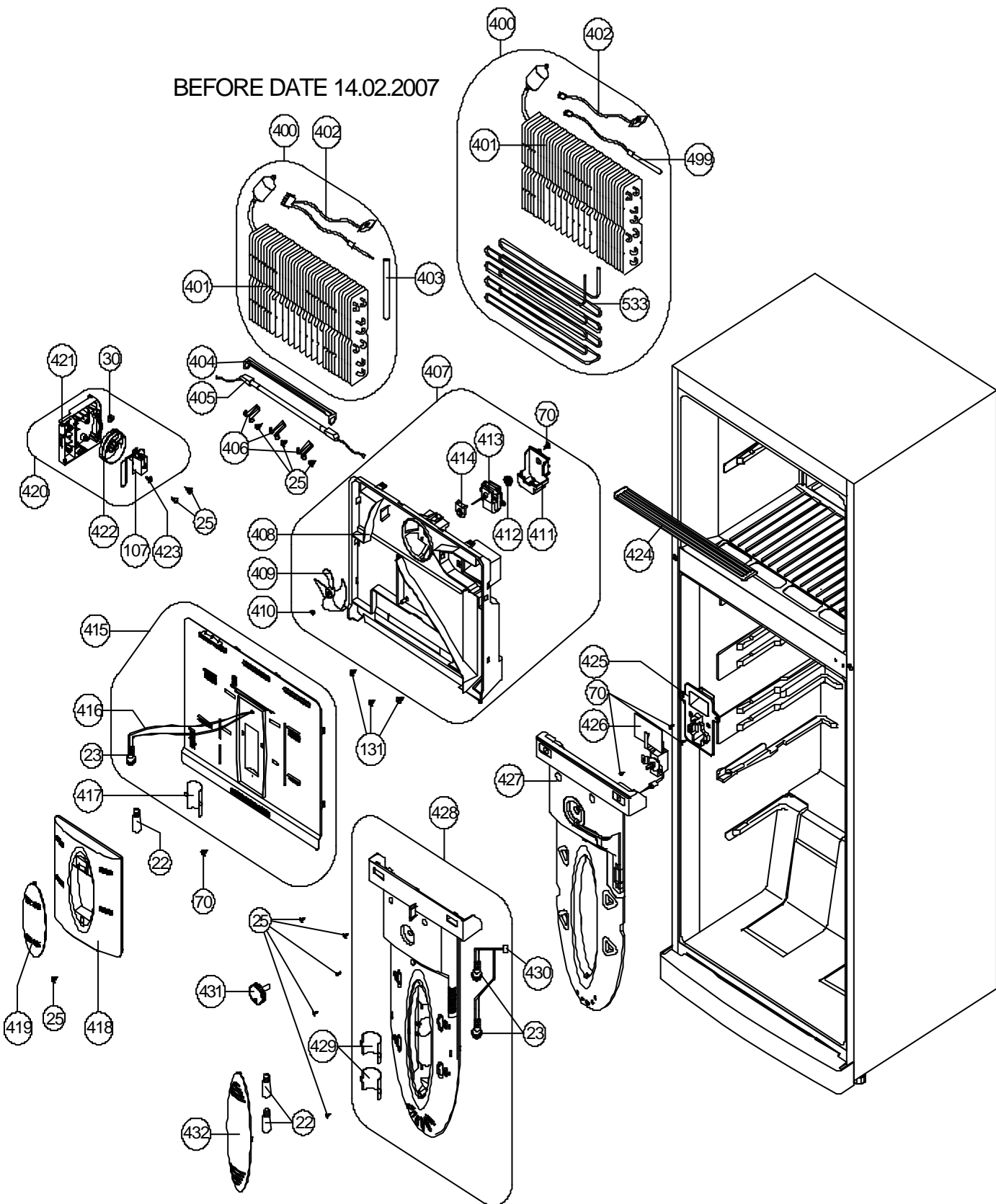
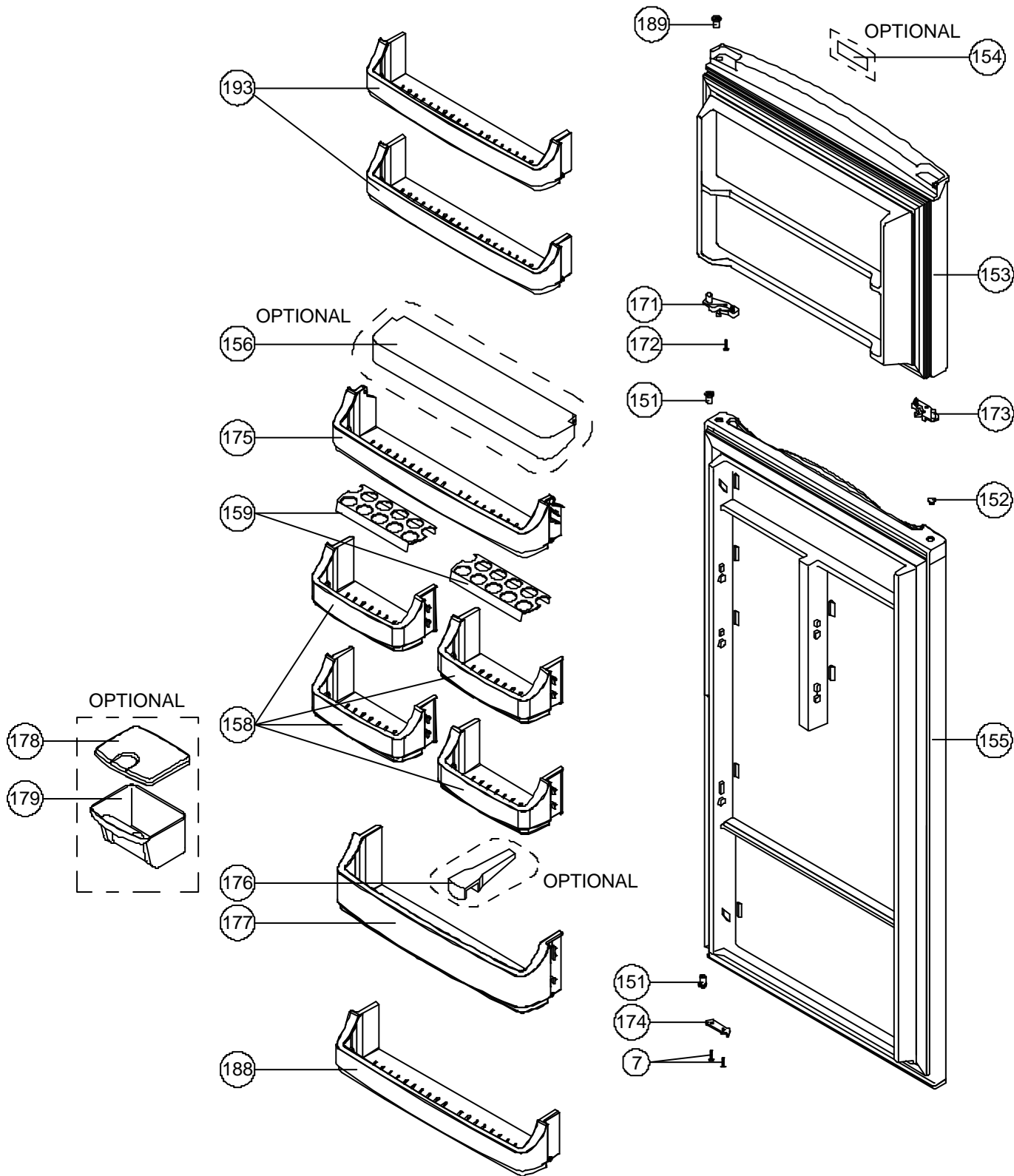


AFTER DATE 14.02.2007

BEFORE DATE 14.02.2007



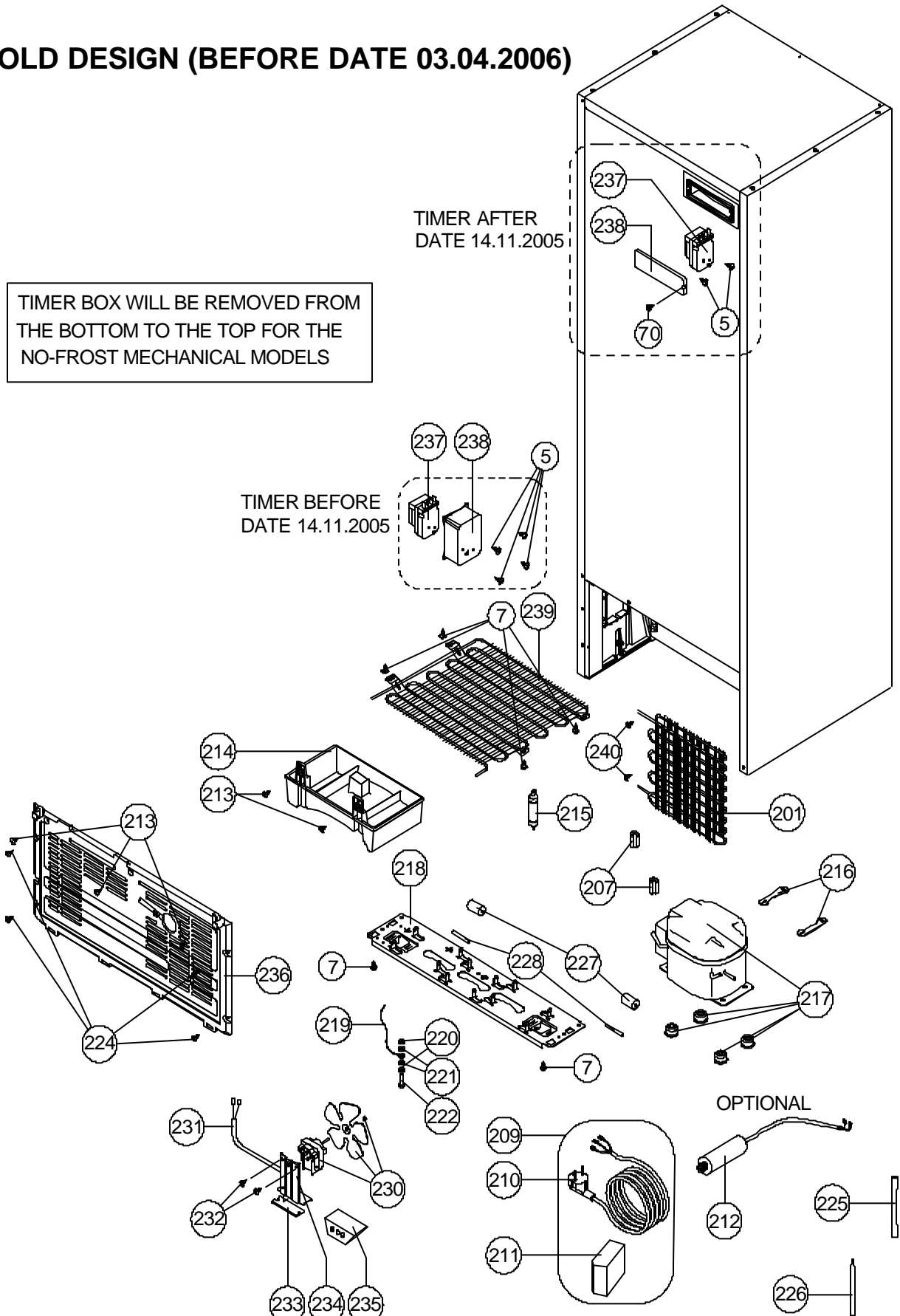


OLD DESIGN (BEFORE DATE 03.04.2006)

TIMER BOX WILL BE REMOVED FROM THE BOTTOM TO THE TOP FOR THE NO-FROST MECHANICAL MODELS

TIMER AFTER DATE 14.11.2005

TIMER BEFORE DATE 14.11.2005



NEW DESIGN (AFTER DATE 03.04.2006)

