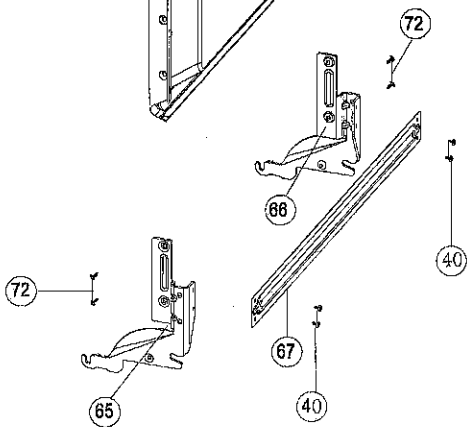
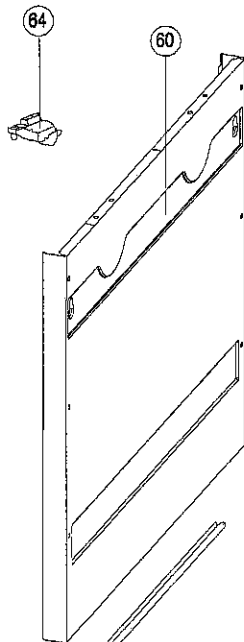
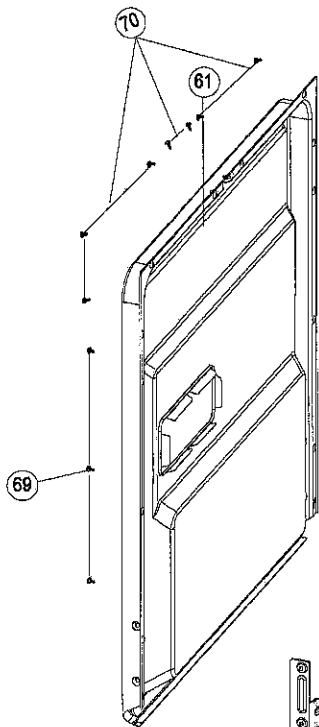
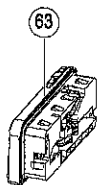
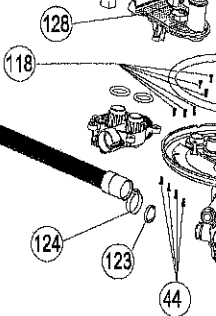
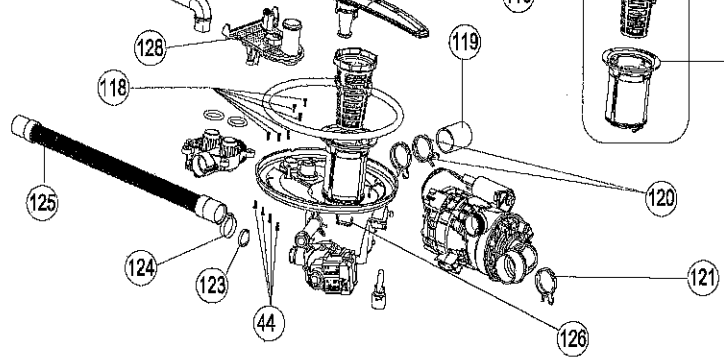
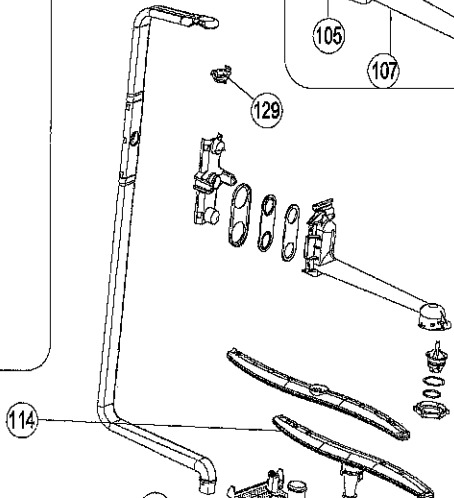
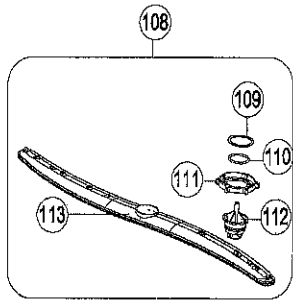
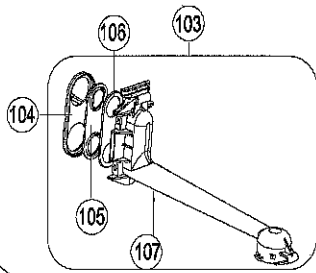
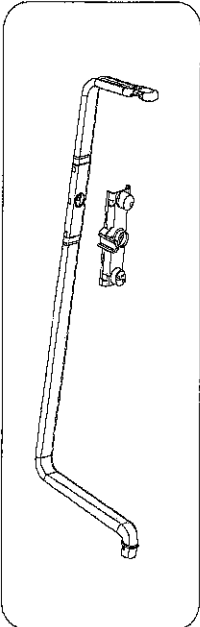


**NOTE-1: The spare part with poz no 14 is not valid from 06.2011**

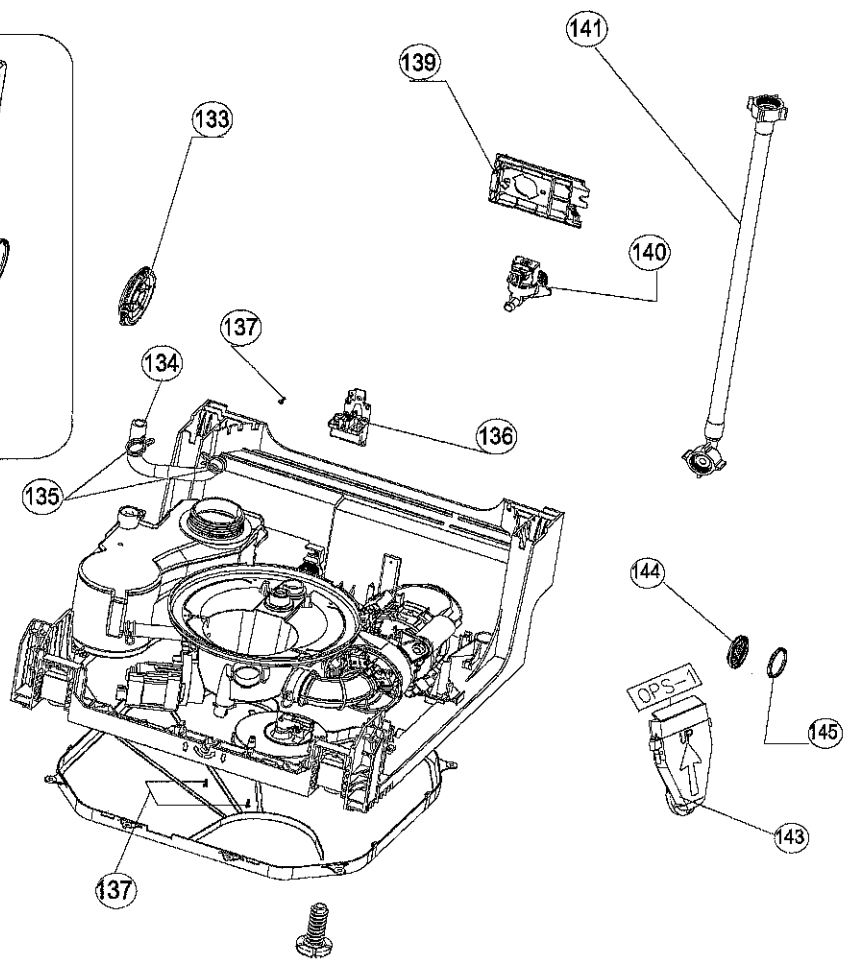
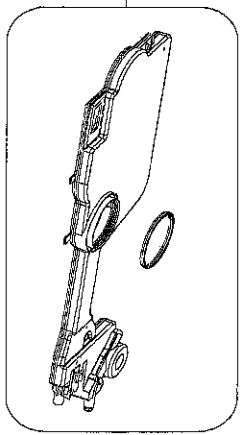
**NOTE-2: The spare part with poz no 16 and 17 is not valid from 29.05.2012**

**NOTE-3: The spare part with poz no 15 is not valid from 09.07.2012**

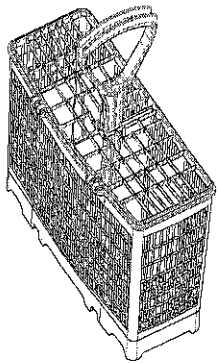




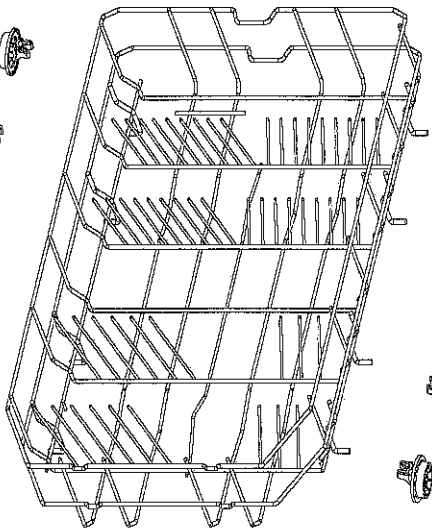
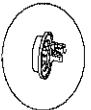
131



360

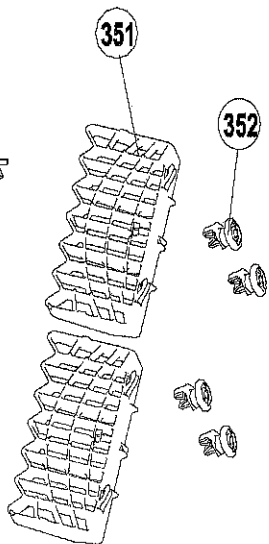
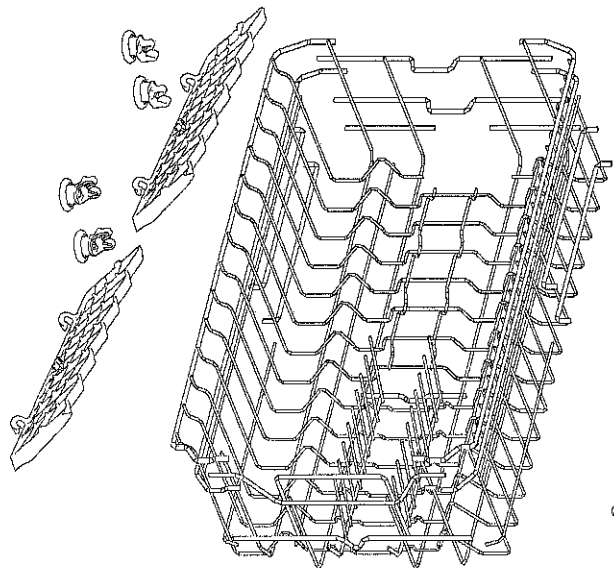


301

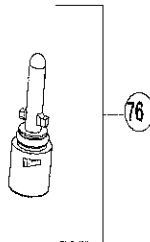
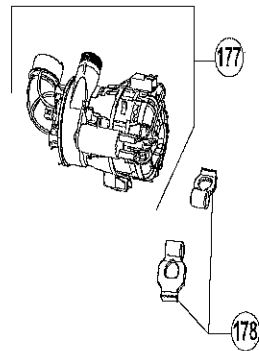
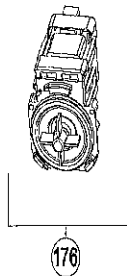
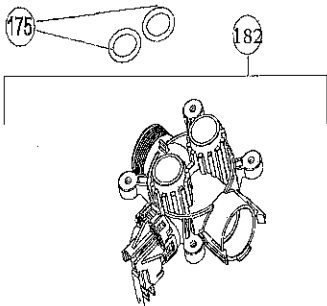
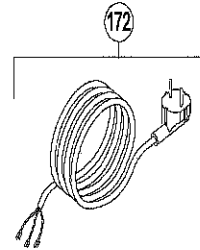
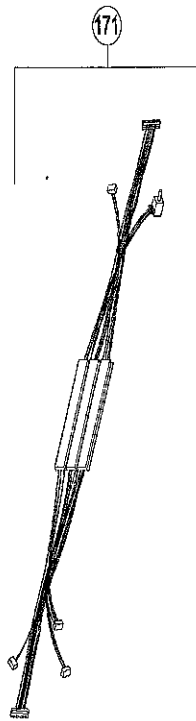
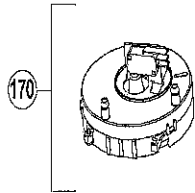


300

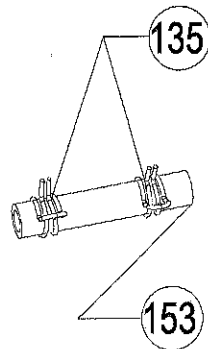
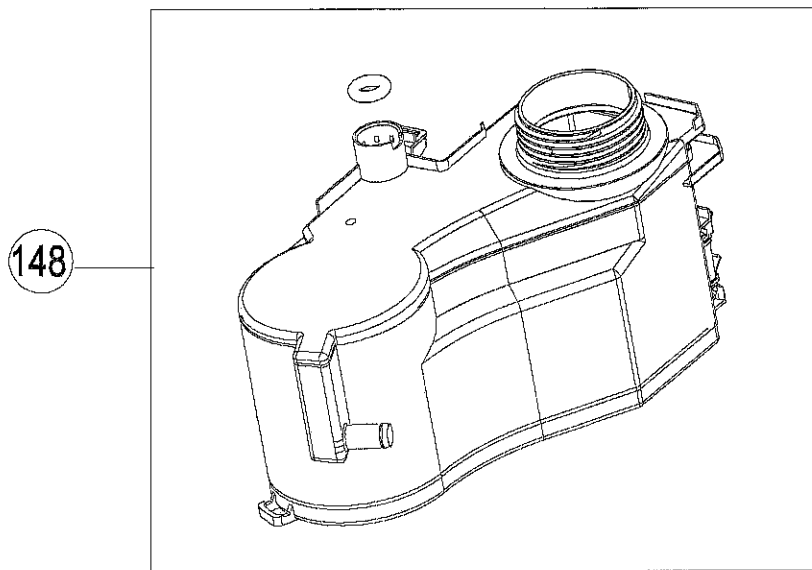
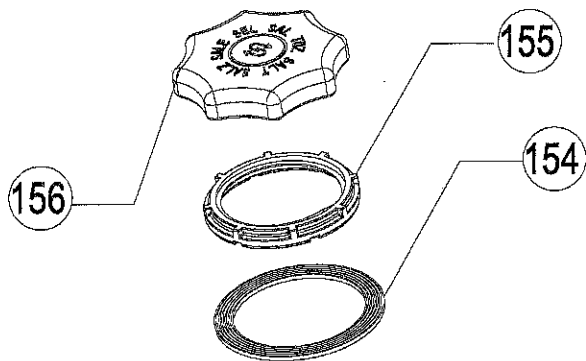


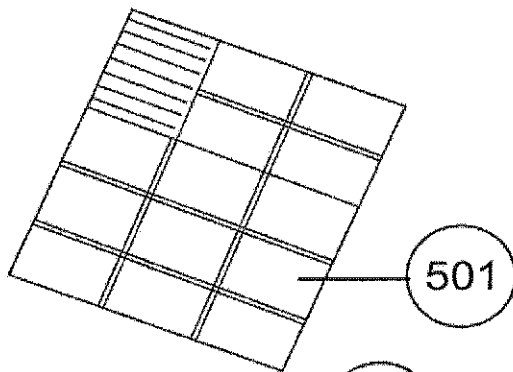


350

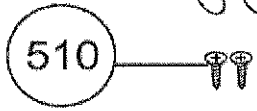
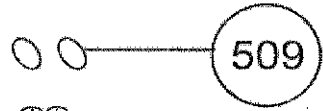
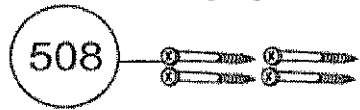
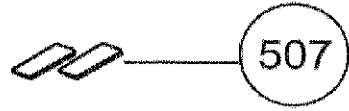
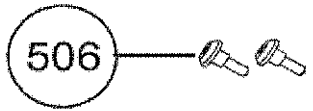
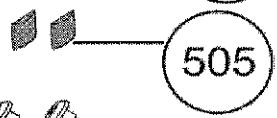


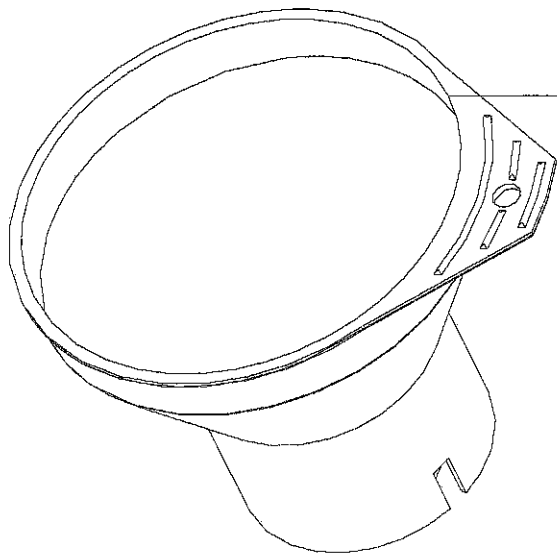






500





**511**