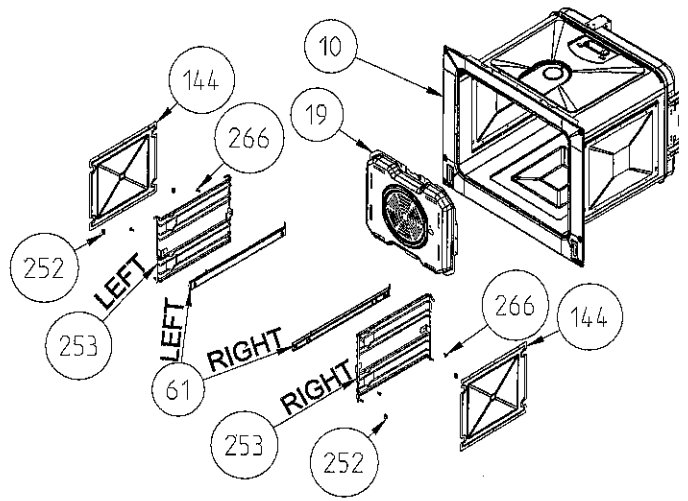
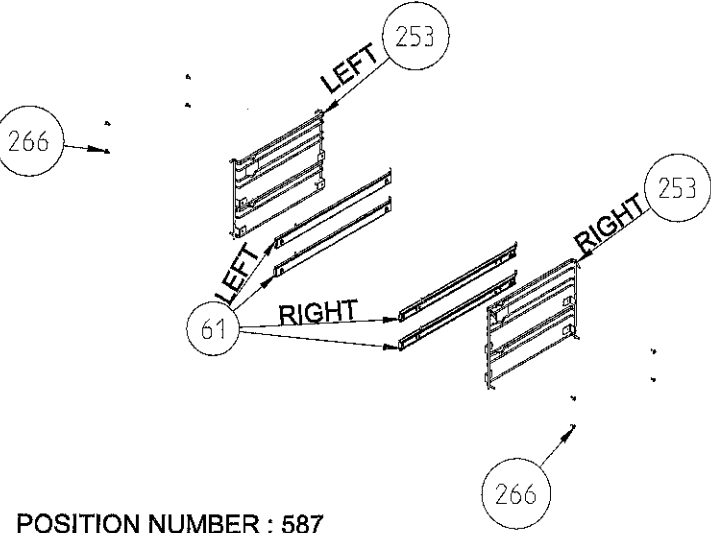


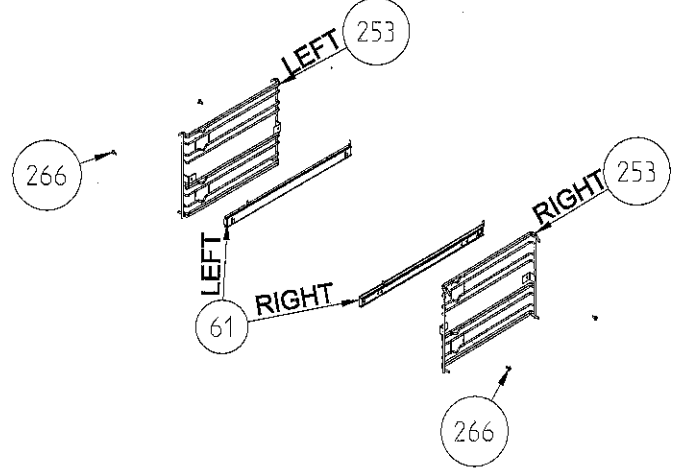
WIRE SHELF CAVITY ASSEMBLY  
WITH/ WITHOUT CATALYTIC PANEL  
OPTIONAL:DOUBLE TELESCOPIC RAIL (R / L)



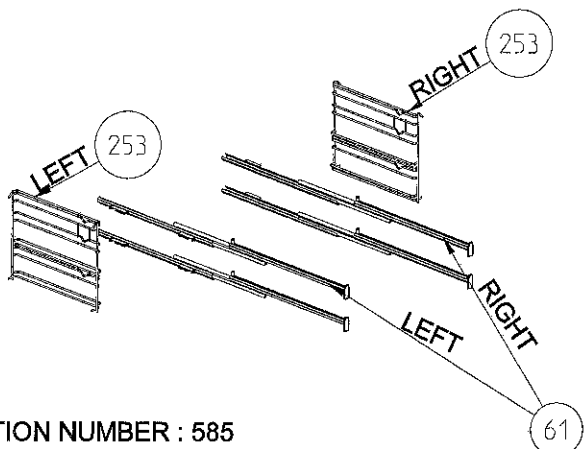
WIRE SHELF CAVITY ASSEMBLY  
WITH/ WITHOUT CATALYTIC PANEL  
OPTIONAL:TELESCOPIC RAIL (R / L)



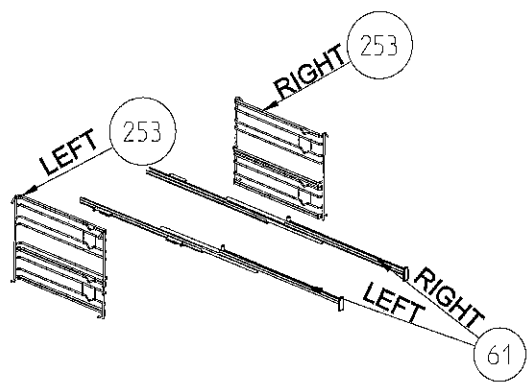
POSITION NUMBER : 587  
WIRE SHELF (SINGLE EXTENSION)  
OPTIONAL:DOUBLE TELESCOPIC RAIL (R / L) GROUP



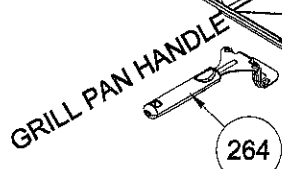
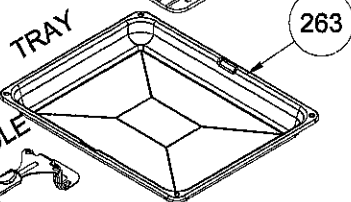
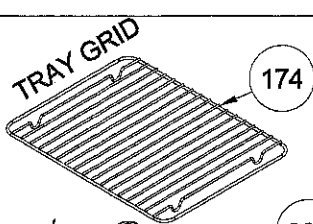
POSITION NUMBER :588  
WIRE SHELF (SINGLE EXTENSION)  
OPTIONAL: SINGLE TELESCOPIC RAIL (R / L) GROUP



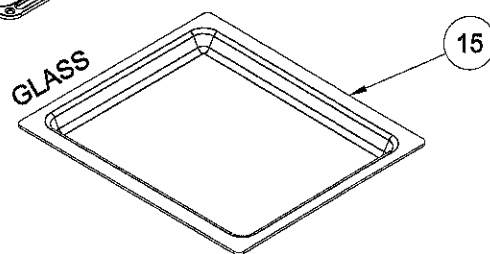
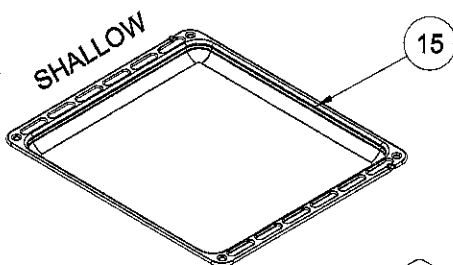
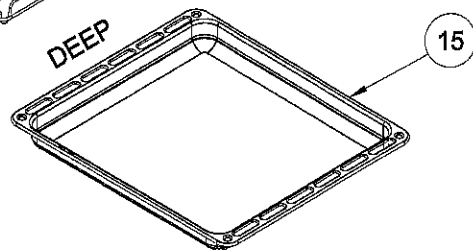
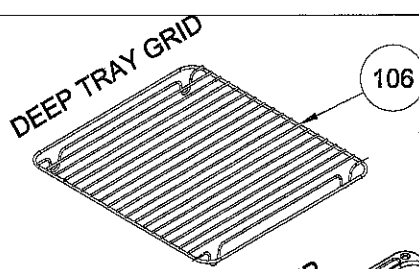
POSITION NUMBER : 585  
WIRE SHELF (FULL EXTENSION)  
OPTIONAL:DOUBLE TELESCOPIC RAIL (R / L) GROUP



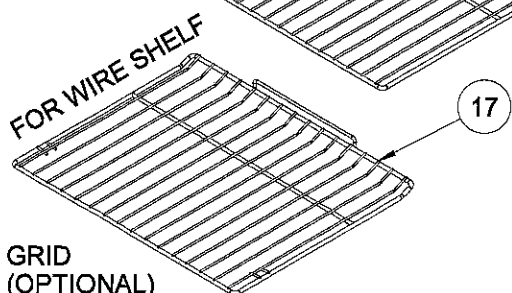
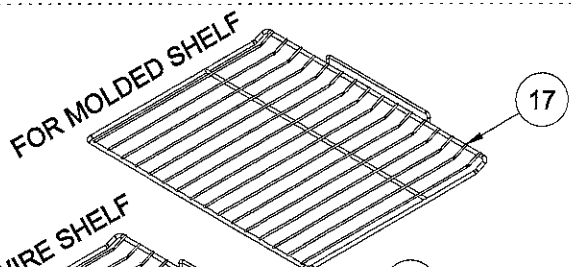
POSITION NUMBER: 586  
WIRE SHELF (FULL EXTENSION)  
OPTIONAL: SINGLE TELESCOPIC RAIL (R / L) GROUP



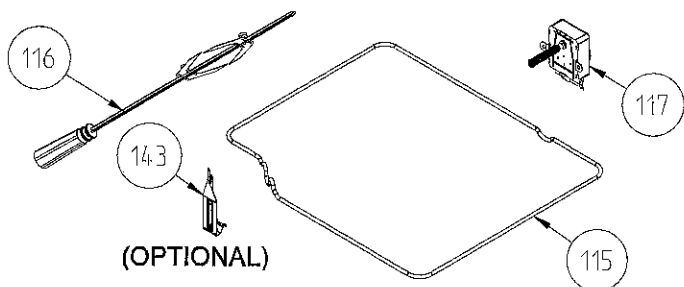
GRILL PAN AND HANDLE SET  
(TRAY SET FOR GRILL)  
POSITION NUMBER : 265 (OPTIONAL)



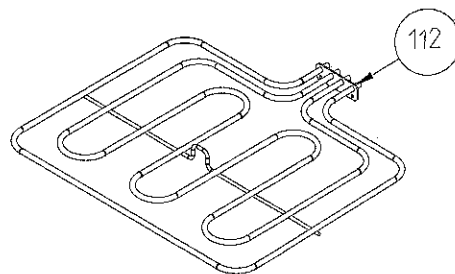
TRAYS & GRID  
(OPTIONAL FOR DB.OVEN ELC)



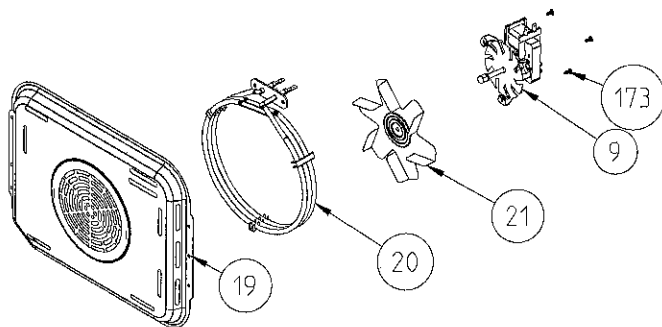
GRID  
(OPTIONAL)



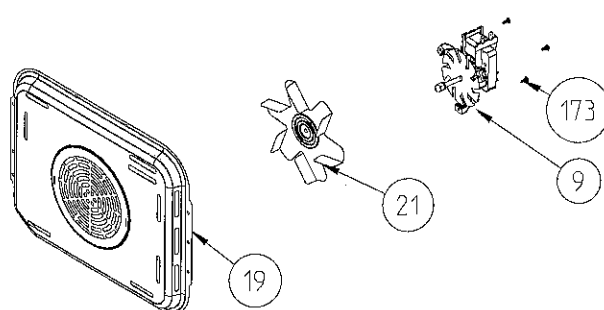
TRUNSPIT  
(OPTIONAL)



TOP AND HEATING GRILL ELEMENT  
(OPTIONAL)

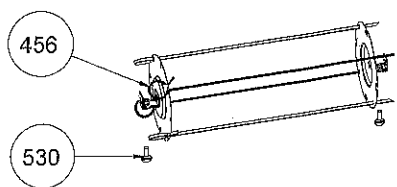


RING HEATING ELEMENT WITH FAN (OPTIONAL)

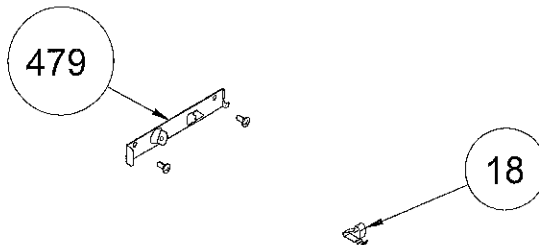


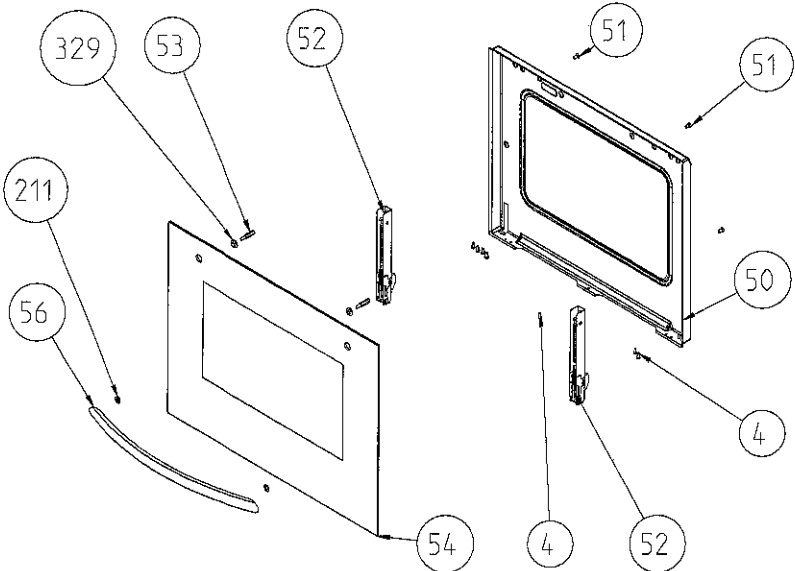
FAN COVER/FAN IMPELLER (6 WINGS )FAN MOTOR  
(OPTIONAL)

SHISH KEBAB ACCESSORY (OPTIONAL)

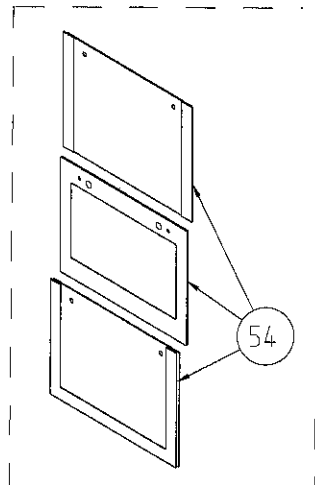


THERMOSTAT BULB HOLDER BRACKET

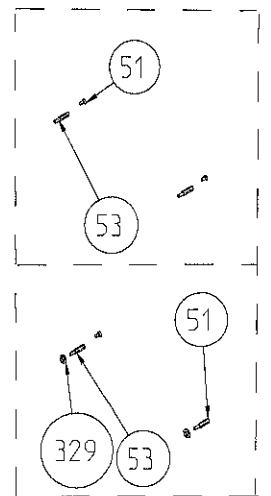




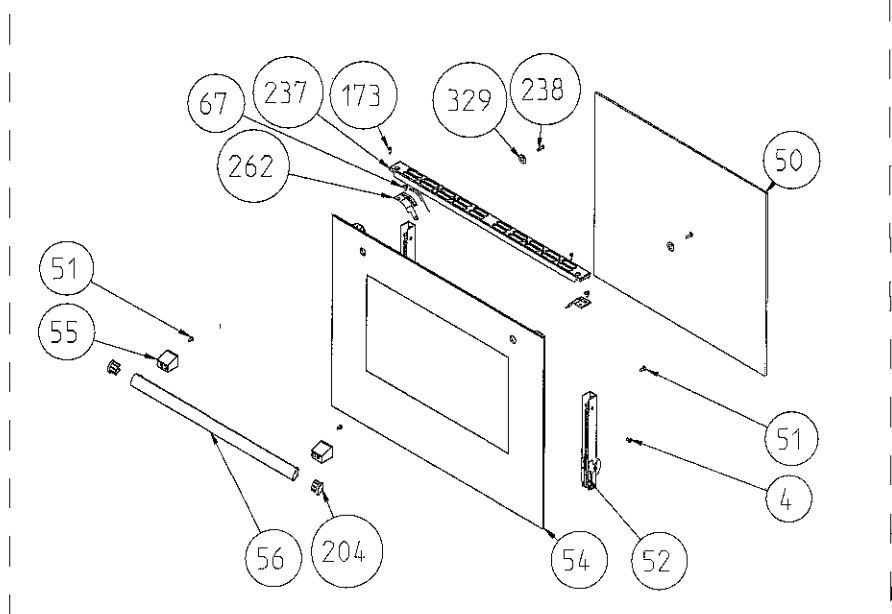
**OVEN DOOR ASSEMBLY (OUTER & INNER)  
(POSITION NO 378)**



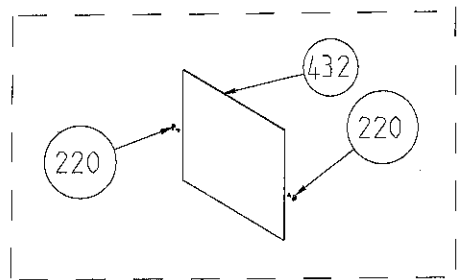
**OVEN DOOR OUTER  
GLASS ASSEMBLY WITH  
INOX ADD-ON TYPES  
(OPTIONAL)**



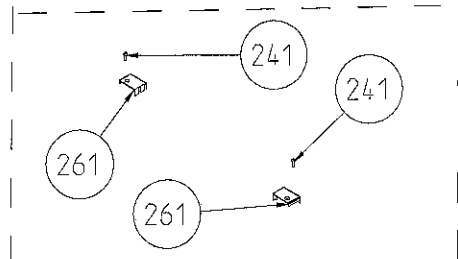
**HANDLE ASSEMBLY  
GROUP  
(POSITION NO 49)  
(OPTIONAL)**



**FLAT OVEN DOOR WITH FULL GLASS STRUCTURE (POSITION NO 377)  
(OPTIONAL)**



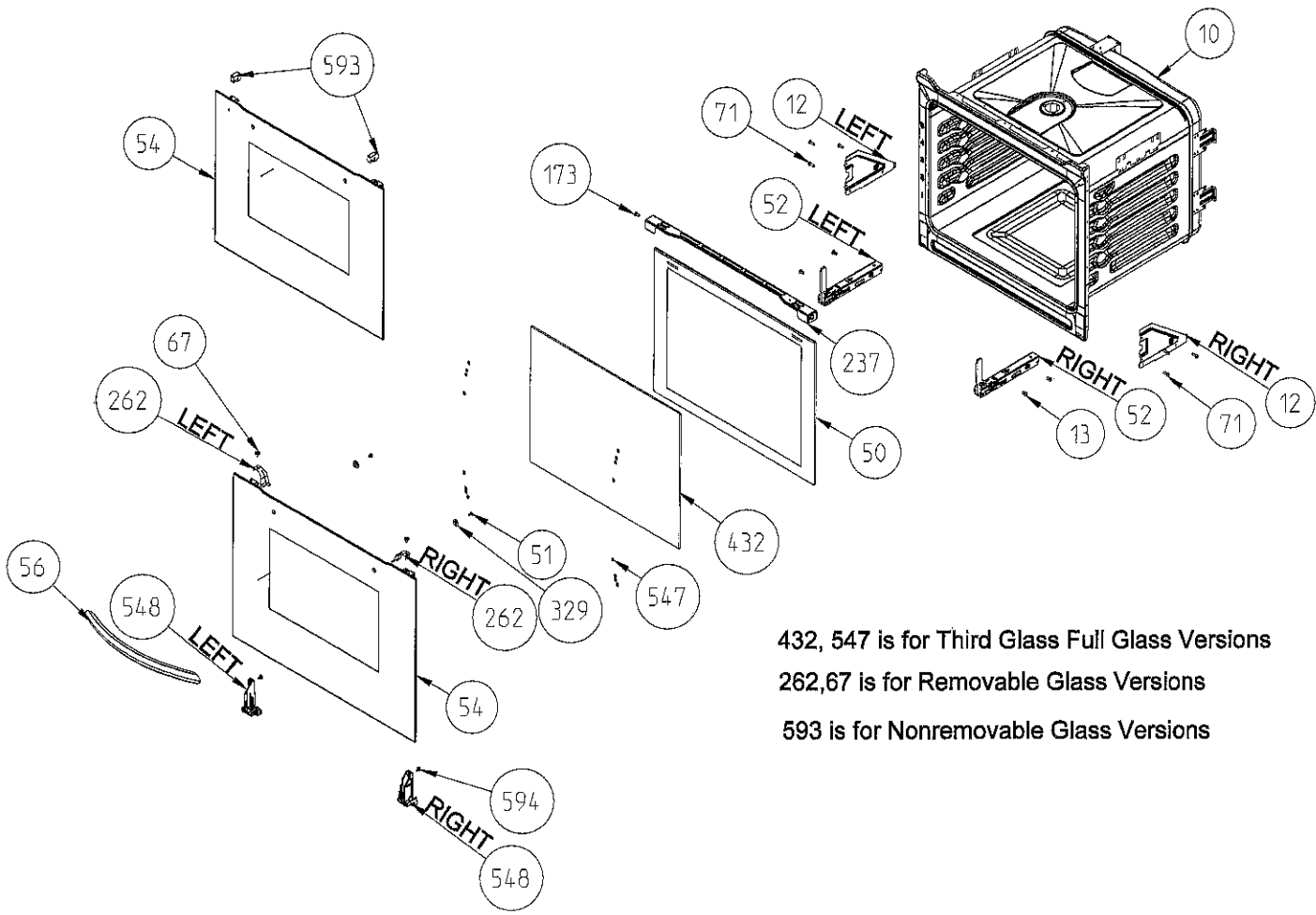
**INTERVAL GLASS  
(OPTIONAL)**



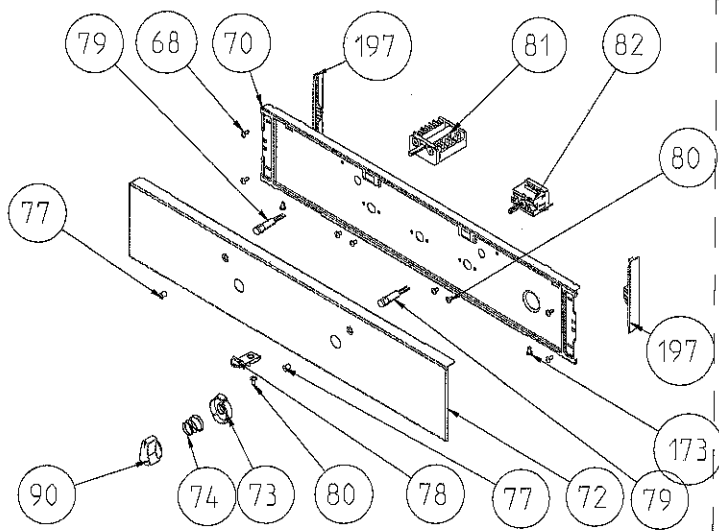
**OVEN DOOR TOP PANEL PARTS  
(OPTIONAL)**

\*Metal frames on outer glass, handle types, handle taps and brackets are optional.  
Your cooker may be different cosmetically.

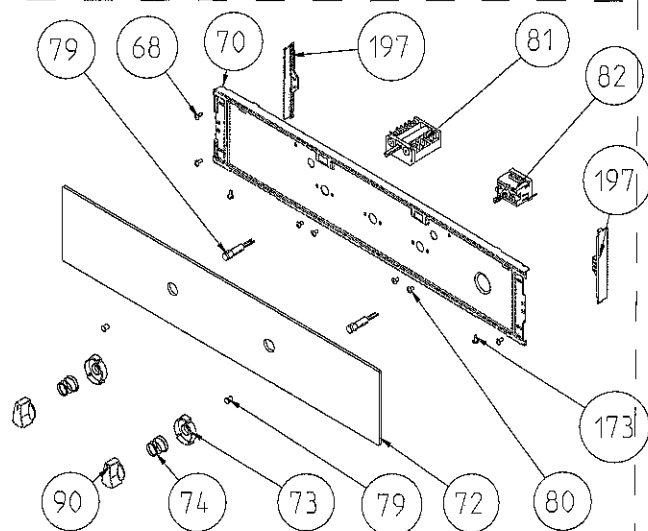
# BUILT-IN OVEN FULL GLASS OVEN DOOR



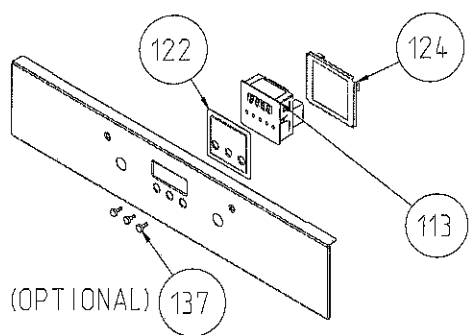
432, 547 is for Third Glass Full Glass Versions  
 262,67 is for Removable Glass Versions  
 593 is for Nonremovable Glass Versions



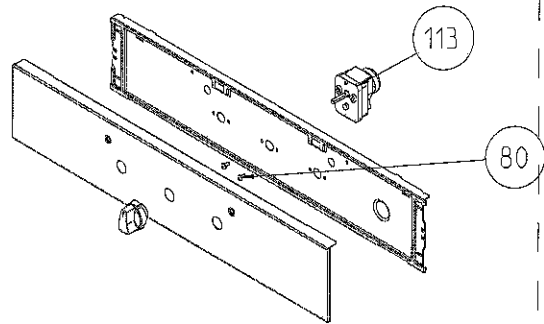
METAL CONTROL PANEL ASSEMBLY



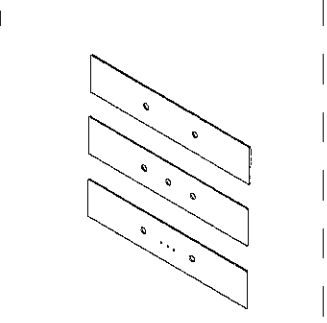
GLASS CONTROL PANEL ASSEMBLY (OPTIONAL)



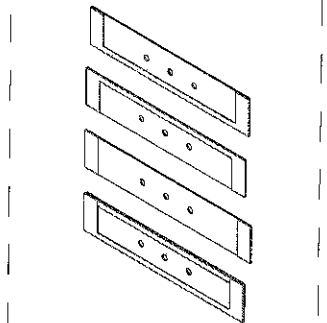
DIGITAL TIMER (OPTIONAL)



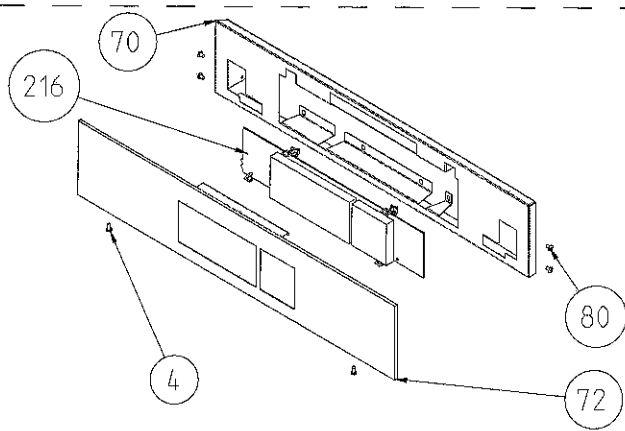
MECHANIC TIMER (OPTIONAL)



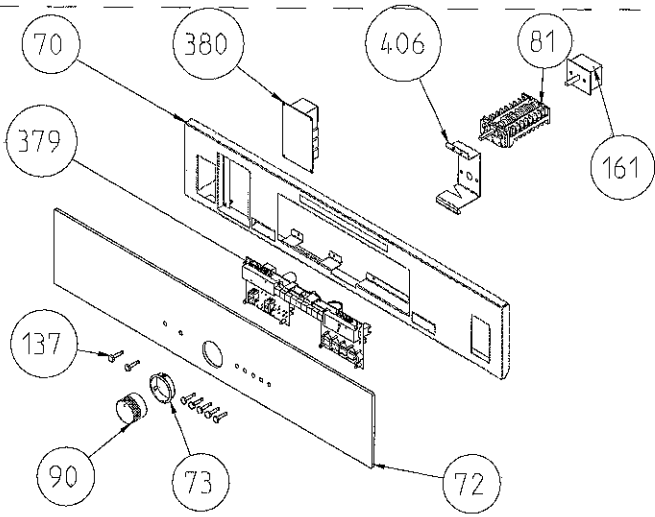
GLASS CONTROL PANELS (OPTIONAL)



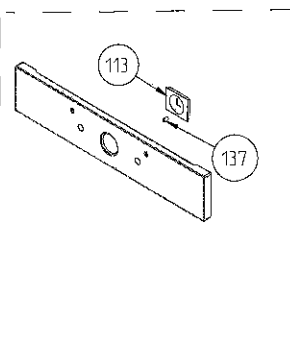
GLASS CONTROL PANELS WITH INOX ADD-ONS (OPTIONAL)



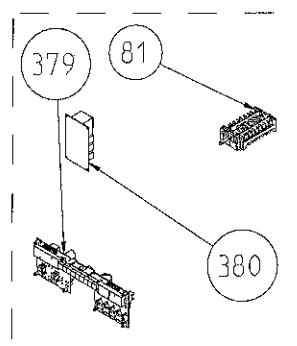
TOUCH CONTROLLED GLASS CONTROL PANEL ASSEMBLY (OPTIONAL)



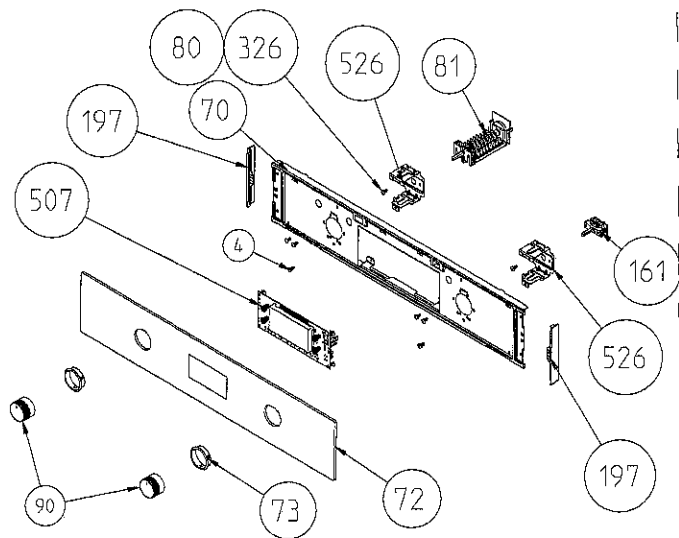
ELECTRONIC TIMERED GLASS CONTROL PANEL ASSEMBLY (OPTIONAL)



ANALOG TIMER (OPTIONAL)

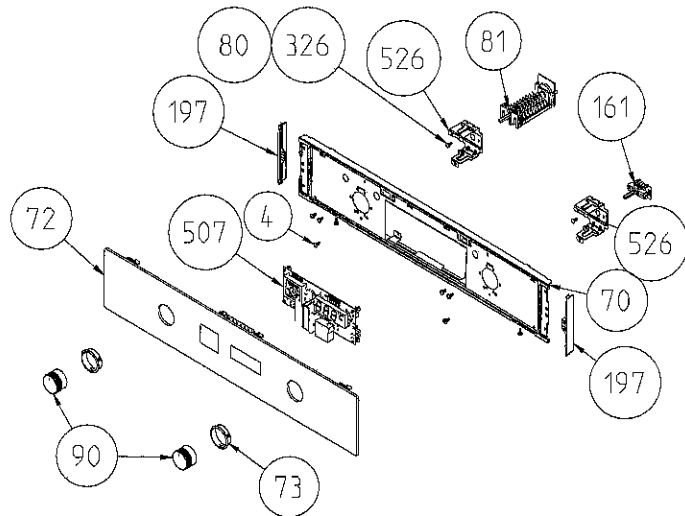


OVEN ELECTRONIC CONTROL GROUP (POSITION NO 381)



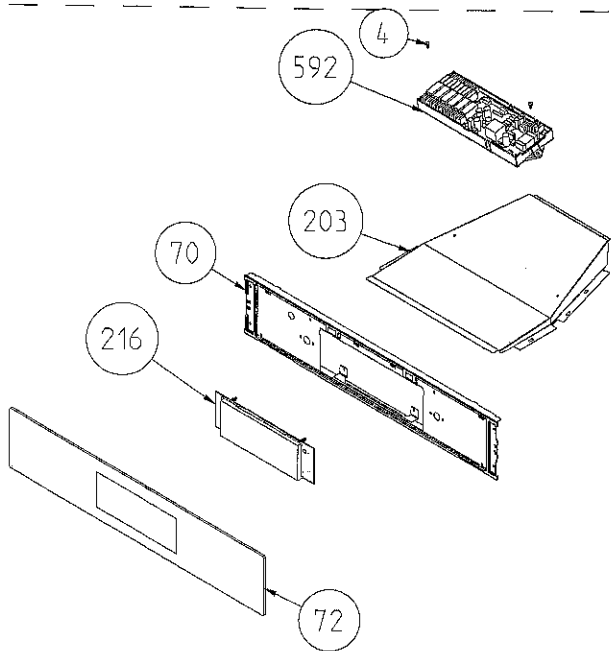
NOTE: The screws shown by the number 326 is used in transparent pipo knobs.

VISO TOUCH TIMERED GLASS CONTROL PANEL ASSEMBLY (OPTIONAL)

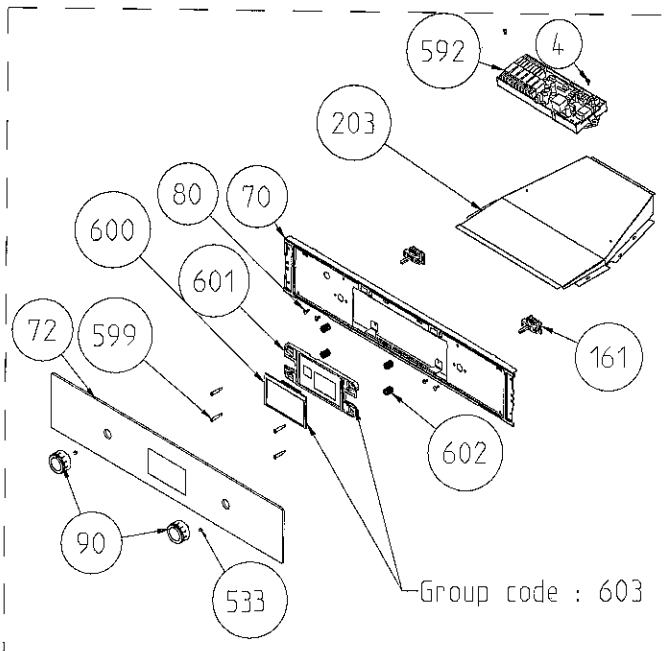


NOTE: The screws shown by the number 326 is used in transparent pipo knobs.

VISO DISPLAY TIMERED GLASS CONTROL PANEL ASSEMBLY (OPTIONAL)

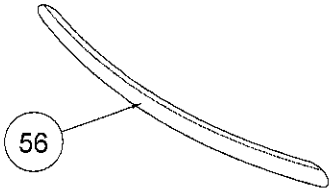


VESTEL FULL TOUCH GLASS CONTROL PANEL ASSEMBLY (OPTIONAL)



LCD SMART GLASS CONTROL PANEL ASSEMBLY (OPTIONAL)

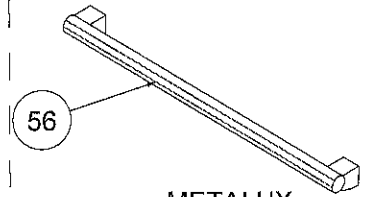
OVEN DOOR HANDLES (OPTIONAL)  
HANDLES WITHOUT TAP & BRACKET



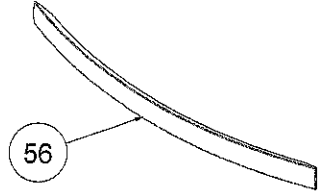
ELLIPSE ARC



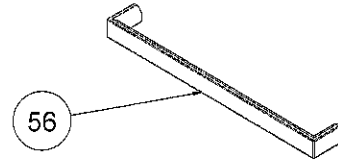
D PROFILE ARC



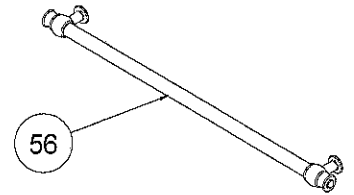
METALUX



D PROFILE ARC, ELECTROLUX  
( ONLY FOR FS - OPTIONAL )

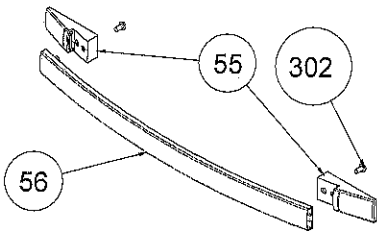


FNP ( ONLY FOR BUILT-IN -  
OPTIONAL )

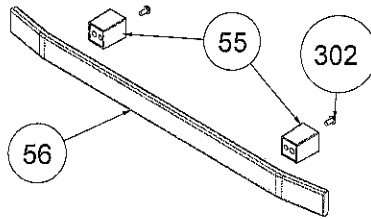


RUSTIC

HANDLES WITH BRACKET

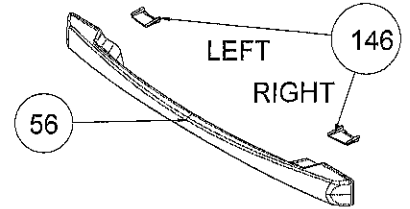


ARC QUADRANGLE



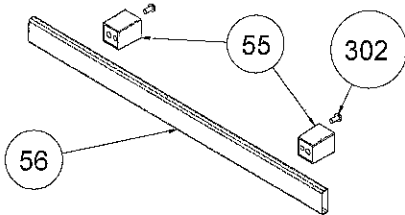
3D QUADRANGLE ( ONLY FOR  
FS/ NEW G/ BUILT-IN - OPTIONAL )

HANDLES WITH TUNNEL TAP

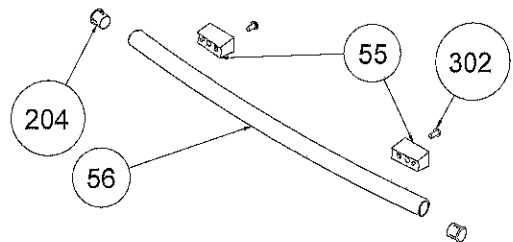


NO FAN TYPE ( ONLY FOR  
BUILT-IN - OPTIONAL )

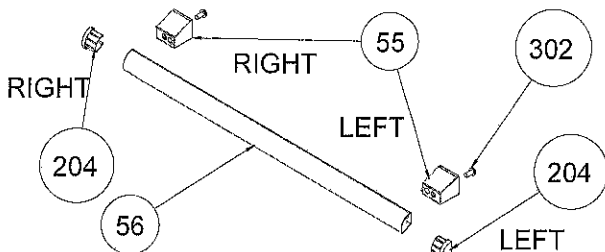
HANDLES WITH TAP & BRACKET



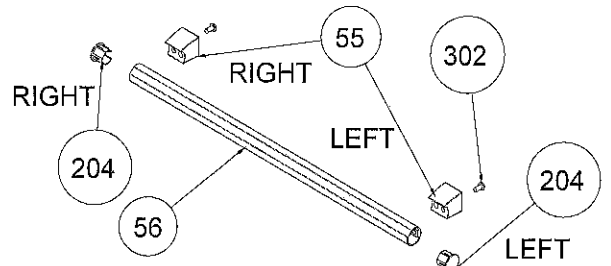
FLAT QUADRANGLE  
( ONLY FOR FS/ NEW G/ BUILT-IN - OPTIONAL )



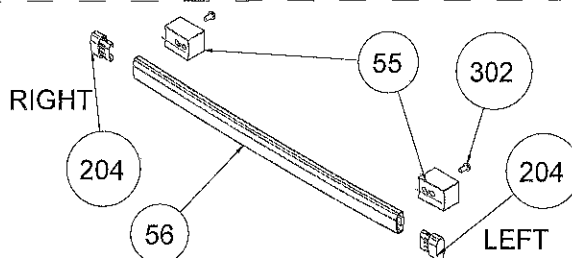
ARC TUBE



FLAT SLICE



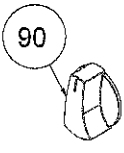
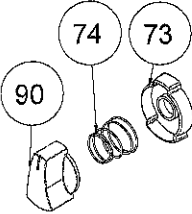
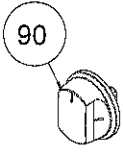
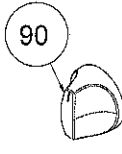

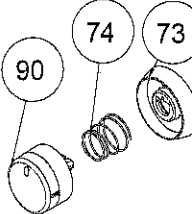
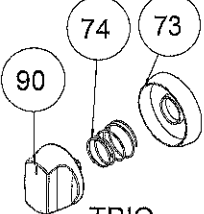
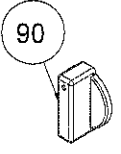
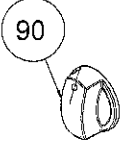
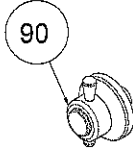
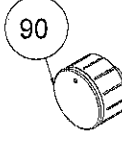
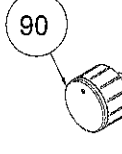

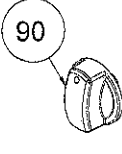

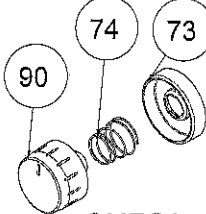
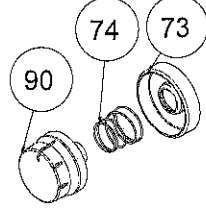
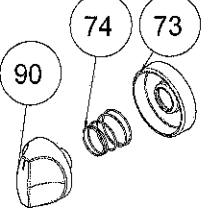
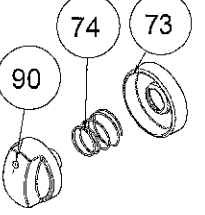
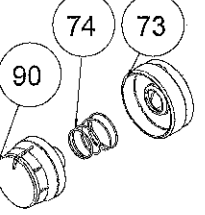
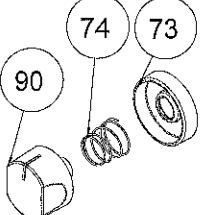
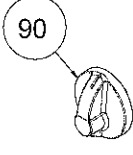
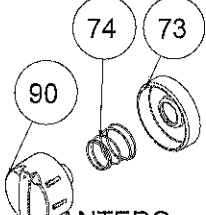
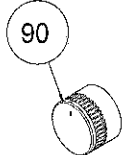
TRIO



CURVED QUADRANGLE



KNOBS ( ONLY FOR BUILT-IN - OPTIONAL )

 <p>90</p> <p>DELTA</p>	 <p>90 74 73</p> <p>DELTA RING</p>	 <p>90</p> <p>ALFA</p>	 <p>90</p> <p>GAMA</p>	 <p>90</p> <p>ZETA</p>	 <p>90 74 73</p> <p>SIGMA(SMALL)</p>
 <p>90 74 73</p> <p>TRIO</p>	 <p>90</p> <p>CANDY</p>	 <p>90</p> <p>ECLIPSE</p>	 <p>90</p> <p>RUSTIC RISUS</p>	 <p>90</p> <p>BIG MACRO</p>	 <p>90</p> <p>SMALL MACRO</p>
 <p>90</p> <p>VESTA</p>	 <p>90</p> <p>JANNU</p>	 <p>90</p> <p>NORD</p>	 <p>90 74 73</p> <p>OMEGA</p>	 <p>90 74 73</p> <p>EPSILON</p>	 <p>90 74 73</p> <p>GAMA RING</p>
 <p>90 74 73</p> <p>ECLIPSE RING</p>	 <p>90 74 73</p> <p>SPECTRUM</p>	 <p>90 74 73</p> <p>RIMO</p>	 <p>90</p> <p>VARIO</p>	 <p>90 74 73</p> <p>ANTERO</p>	 <p>90</p> <p>POP-IN</p>