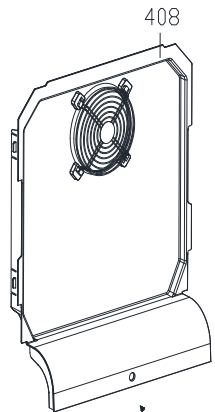
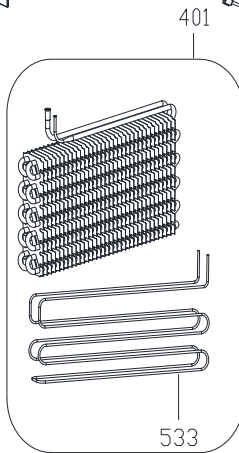
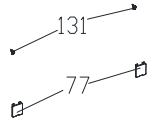
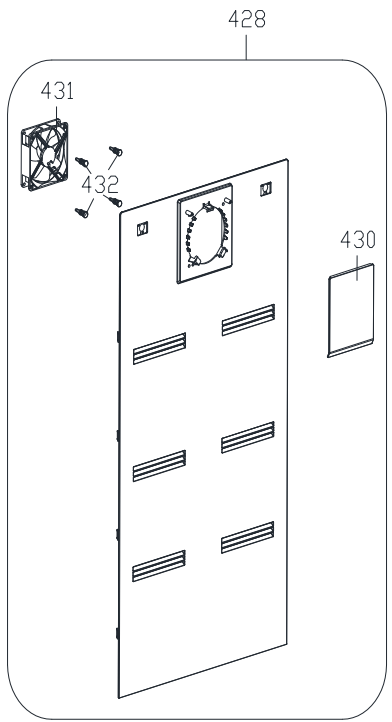
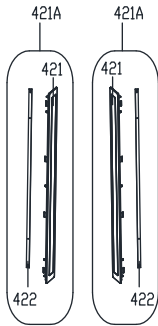


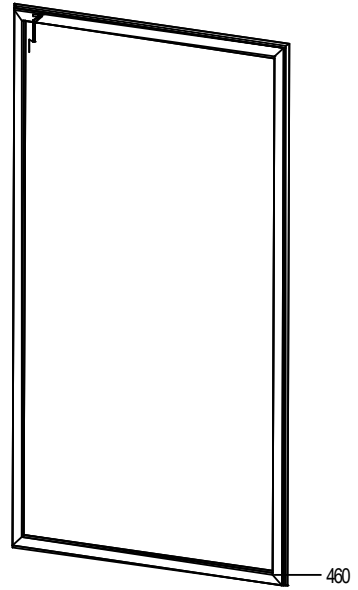
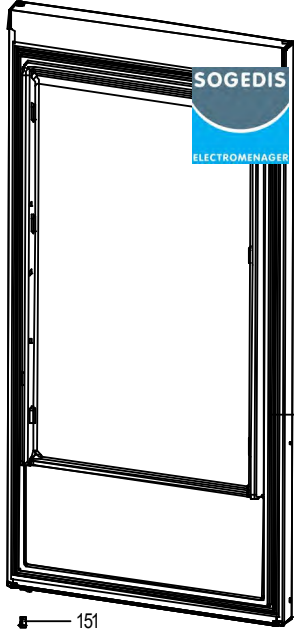
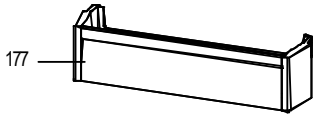
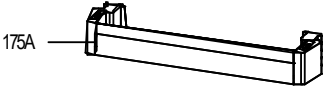
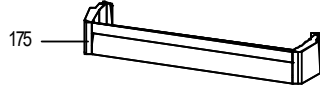
OPTIONAL
WITH SIDE PANEL LED



70

154

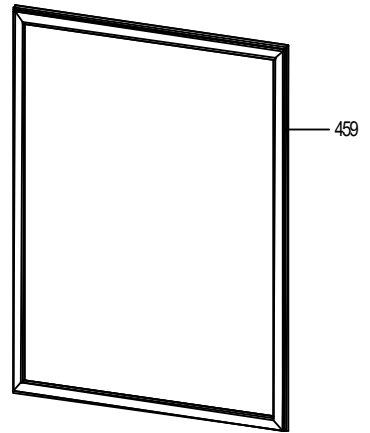
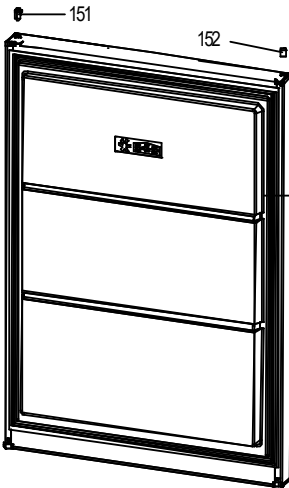
189



151

173

171



151

152

153

459

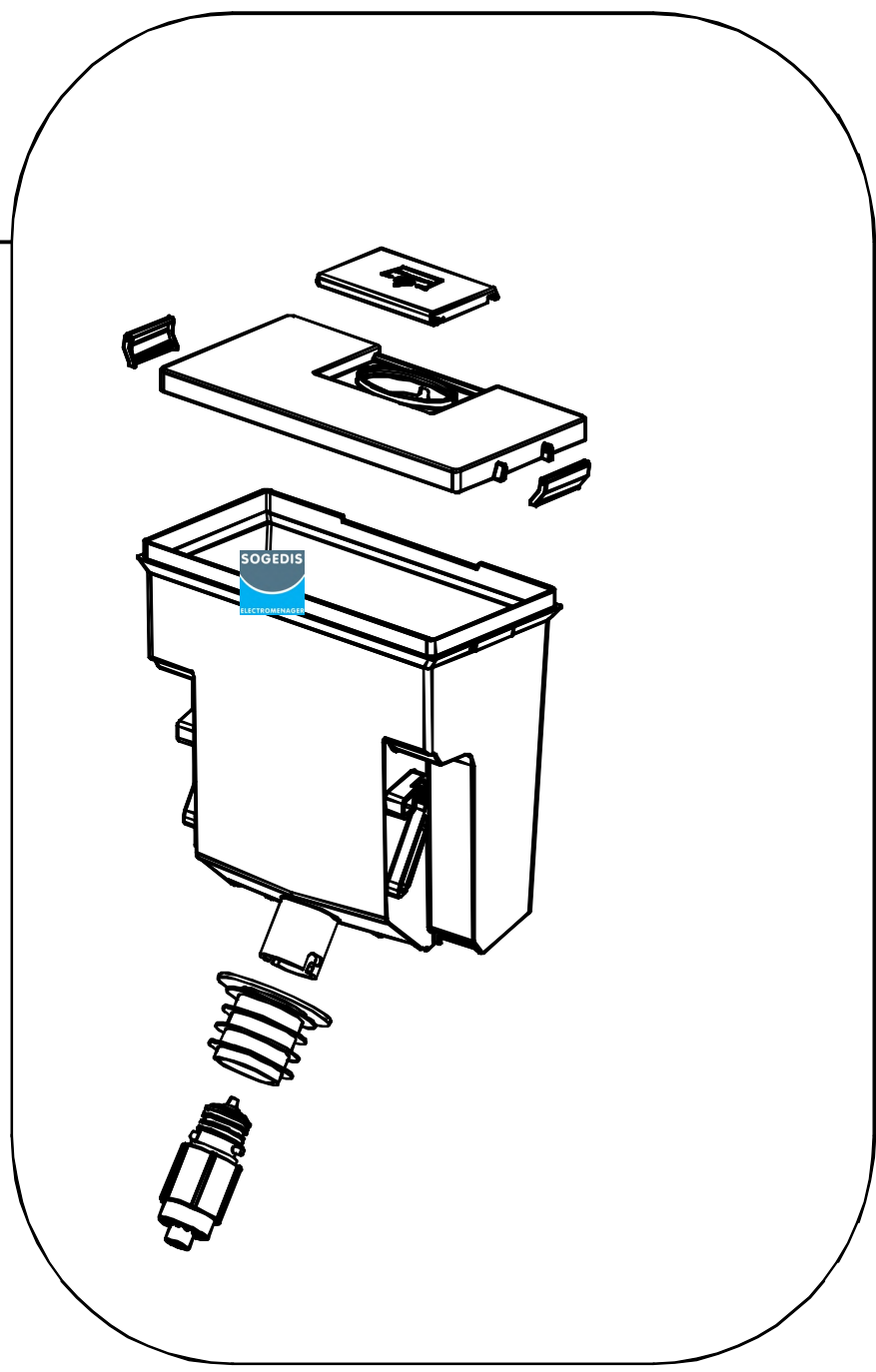
174B

174

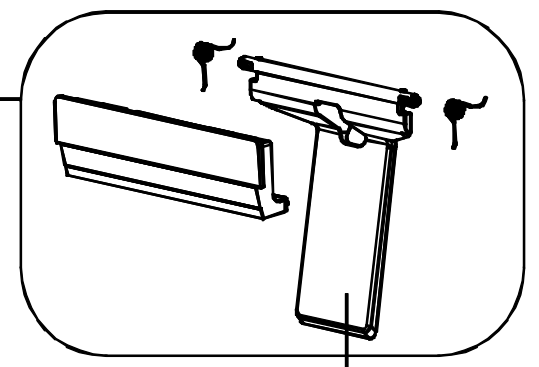
187

463

606



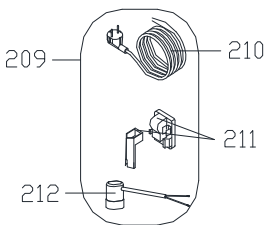
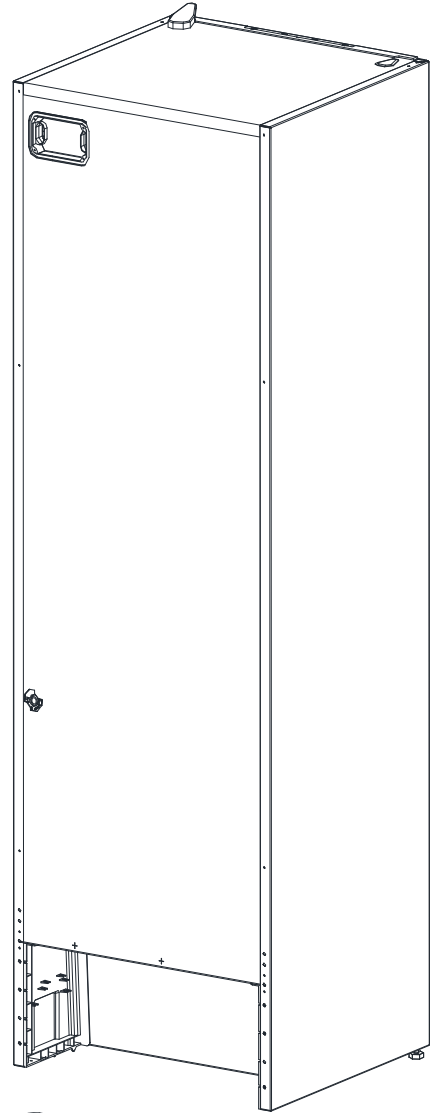
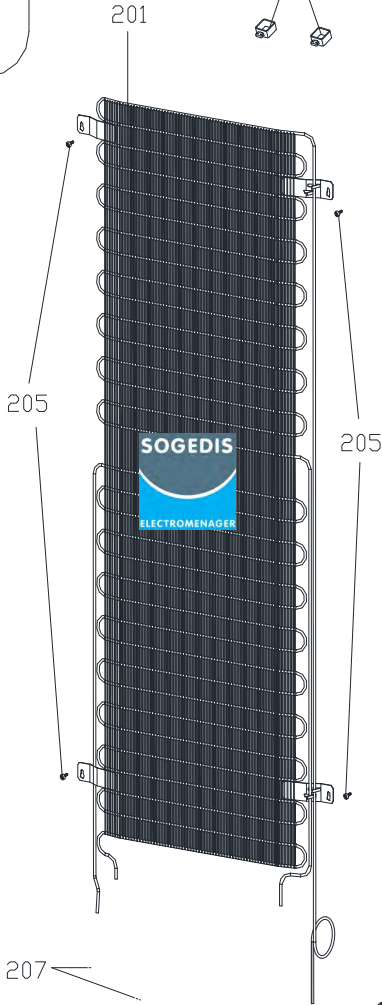
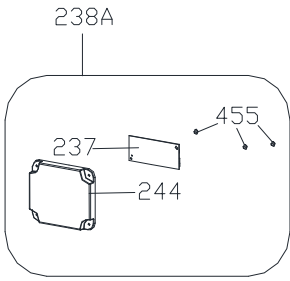
764



616

766





INVERTER
(OPTIONAL)

