

1. It is super freeze indicator.
2. It is freezer set value screen.
3. Sr alarm indicator.
4. Freezer set button.

### Freezer Set Button

The freezer set button allows changes to be made to the temperature of the freezer compartment. Super freeze and economy mode can also be activated using this button.

### Sr Alarm

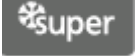
Sr alarm will change to red and an alarm will sound if any problems occur.

### Super Freeze Mode

#### Purpose

- To freeze a large quantity of food that cannot fit on the fast freeze shelf.
- To freeze prepared foods.
- To freeze fresh food quickly to retain freshness.

#### Activating Super Freezer Mode

Push the freezer set button until the super freezer symbol (  ) illuminates. The buzzer will sound twice and the mode will be set.

#### During Super Freeze Mode

Super freeze mode can be cancelled in the same way it is selected.


Super freeze mode will automatically cancel after 54 hours, depending on the environmental temperature or when the freezer sensor reaches a sufficiently low temperature.

### Economy Mode

#### Purpose

Energy savings. During periods of less frequent use (door opening) or absence from home, such as a holiday, Eco program can provide optimum temperature whilst saving power.

#### Activating Economy Mode

- Press the freezer set button until the economy symbol / -18o (  ) illuminates.
- If no button is pressed for 1 second the mode will be set and the buzzer will sound twice as confirmation.
- To cancel, press the freezer set button.

### Screen Saver Mode

#### Purpose

This mode saves energy by switching off all control panel lighting when the panel is left inactive.

#### How to Use

- Screen saver mode will be activated automatically after 30 seconds.
- If you press any key while the lighting of the control panel is off, the current machine settings will reappear on the display to let you make any change you wish.
- If you do not cancel the screen saving mode or press any key for 30 seconds, control panel will remain off.

#### To deactivate the screen saving mode,

- To cancel the screen saving mode, first of all, you need to press any key to activate the keys, select "-20" set value and then press and hold the freezer set button for 10 seconds.
- To reactivate screen saving mode, select "-20" set value and then press and hold the freezer set button for 10 seconds.

### Screen Saver Mode



#### Purpose

This mode saves energy by switching off all control panel lighting when the panel is left inactive.

#### How To Use?

- This mode will be activated when you press on "MODE" button for 3 seconds.
- If no button is pressed within 5 seconds when the mode is active, lights of the control panel will go off.
- If you press any button when lights of control panel are off, the current settings will appear on the screen, and then you can make the adjustment as you want. If you neither cancel screen saver mode nor press on any button in 5 seconds, the control panel will go off again.
- To cancel screen saver mode press on "MODE" button for 5 seconds again.
- When screen saver mode is active you can also activate child lock.
- If no button is pressed within 5 seconds after child lock is activated, the lights of the control panel will turn off. You can see the latest status of settings or modes after you press any button. While control panel's light is on, you can cancel child lock as described in the instruction of this mode.

### The Child Lock Mode

#### Purpose

Child lock can be activated to prevent any accidental or unintentional changes being made to the appliance settings.

#### Activating Child Lock

Press on super and freezer temperature setting buttons simultaneously for 5 seconds.

#### Deactivating Child Lock

Press on super and freezer temperature setting buttons simultaneously for 5 seconds.

Child lock will also be deactivated if electricity is interrupted or the fridge is unplugged.



### ***Door Open Alarm Function***

If freezer door is opened more than 2 minutes, appliance sounds 'beep beep' and door open icon will be light.



### ***Demo Mode***

This mode will be use for only sales points by salesman to show functions & modes to customer without operating components as a compressor, fan, motor..Etc.

#### **Entering Demo mode:**

Firstly the power is on, secondly within 1 minute user will push Mode and Freezer Set Button 3 seconds at the same time , Then appliance will go on "demo function" . «dE» will light on cooler set value screen for 1 second, and «on» will light for 1 second and off. Every 20 seconds this operations will occur.

All functions can be adjusted to show how they are adjusted to the customer.

#### **Canceling Demo mode:**

For cancelling; Same operation will be used. If user will push Mode\_and Freezer Set Button at the same time, demo function will be cancelled.

When appliance is Demo mode; if plug is removed or there is an electricty breakdown; demo mode will continue with current settings after user plug into or electricity breakdown finish.

### Freezer Temperature Settings

The initial temperature value for the freezer setting indicator is -18 °C.

- Press the set freezer temperature set button once.
- When you first push this button, the last set value will blink on the screen.
- Whenever you press this button, a lower temperature will be set (-16 °C, -18 °C, -20 °C, -22 °C and -24 °C,).
- If you continue to press it, it will restart from -16 °C.
- The temperature value selected before super freeze mode or economy mode is activated and will remain the same when the mode is over or cancelled. The appliance continues to operate with this temperature value.

### Warnings about temperature adjustments

- It is not recommended that you operate your freezer in environments colder than 10°C in terms of its efficiency.
- Do not start another adjustment while you are already making an adjustment.
- Temperature adjustments should be made according to the frequency of door openings, the quantity of food kept inside the freezer and the ambient temperature in the location of your freezer.



- In order to allow your freezer to reach the operating temperature after being connected to mains, do not open the door frequently or place large quantities of food in the freezer. Please note that, depending on the ambient temperature, it may take 24 hours for your freezer to reach the operating temperature.
- A 5 minute delay function is applied to prevent damage to the compressor of your freezer when connecting or disconnecting to mains, or when an energy breakdown occurs. Your freezer will begin to operate normally after 5 minutes.
- Your appliance is designed to operate in the ambient temperature (T/SN = 10°C - 43°C) intervals stated in the standards, according to the climate class displayed on the information label. We do not recommend operating your appliance out of the stated temperature limits in terms of cooling effectiveness.

| Climate Class | Ambient Temperature (°C) |
|---------------|--------------------------|
| T             | Between 16 and 43 (°C)   |
| ST            | Between 16 and 38 (°C)   |
| N             | Between 16 and 32 (°C)   |
| SN            | Between 10 and 32 (°C)   |
| T/SN          | Between 10 and 43 (°C)   |



## 371E RIGA DISPLAY



### SERVICE MODE

**Entering Service Mode:** Push and hold Super and Mode button together for 5 seconds. When user enters to Service Mode,

| SENSOR                   | FREEZER SET VALUE | COOLER SET VALUE |
|--------------------------|-------------------|------------------|
| (1) Freezer (Short-Open) | E                 | 01               |
| (2) Defrost (Short-Open) | E                 | 03               |
| (3) AT sensor            | E                 | 04               |

### Component defect on display

| DEFECT TYPE           | FREEZER SET VALUE | COOLER SET VALUE |
|-----------------------|-------------------|------------------|
| Compressor Defect     | E                 | 06               |
| Defrost Heater Defect | E                 | 07               |
| LF                    | E                 | 09               |

#### 1. Push of Mode Button;

This mode is starting mode and 'Economy' symbol in display will blink during mode.

"4" will light when R&Su hearet will b ON

"3" will light when Fan is ON

"1" will light when Compressor is ON

#### 2. Push of Mode Button;

Starting manual defrost and 'Super Freeze' symbol will blink during mode.

#### 3. Push of Mode Button;

Service man can see actual temperatures on this screen.

With SET button, service man can toogle between sensor values.

The sensor values are indicated in the following order;

1-Freezer sensor values

3-Defrost sensor values

4-AT sensor values

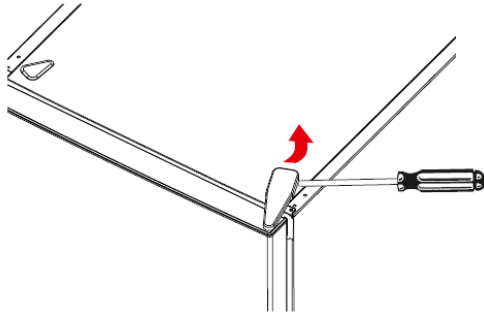
#### 4. Push of Mode Button;

The door open/close position on this mode. So, service man can check door switch working or not.

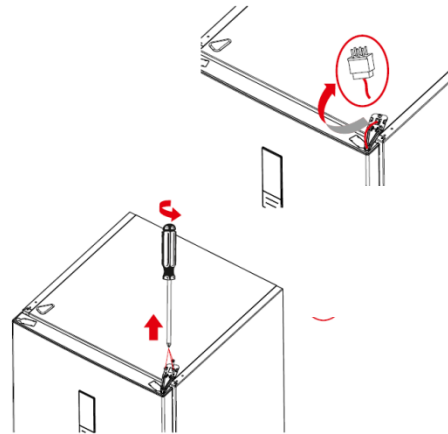
If door is open, «ON» will be seen on set value screen, if door is close, «OF» will be seen on set value screen.

**Reversing the door**

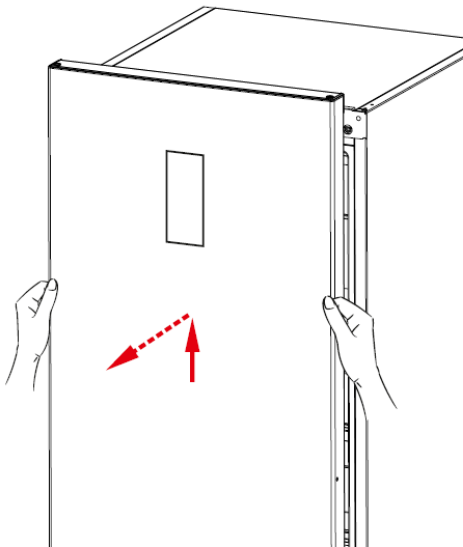
Hold the top hinge cover and remove it toward that direction



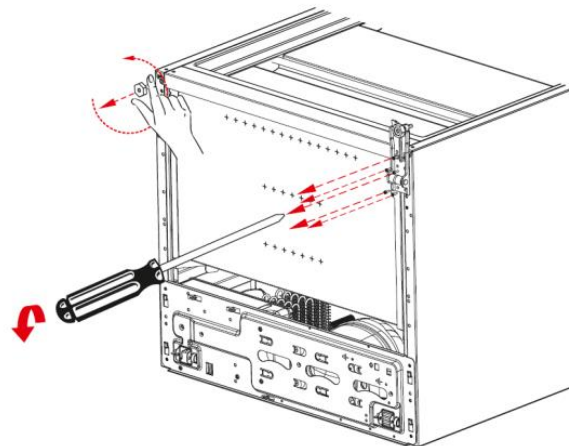
Disconnect the display connector. Unscrew the screws fixing the top hinge and remove it.



Displace the door

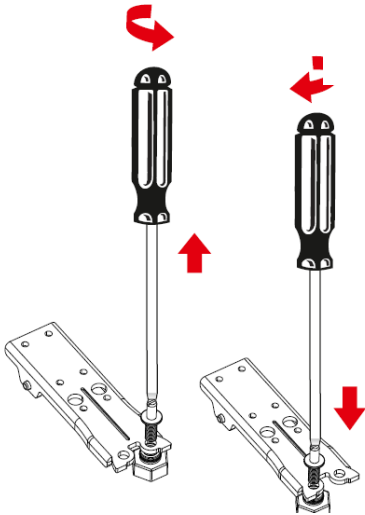


Unscrew the bottom hinge pin and screw it to other hole

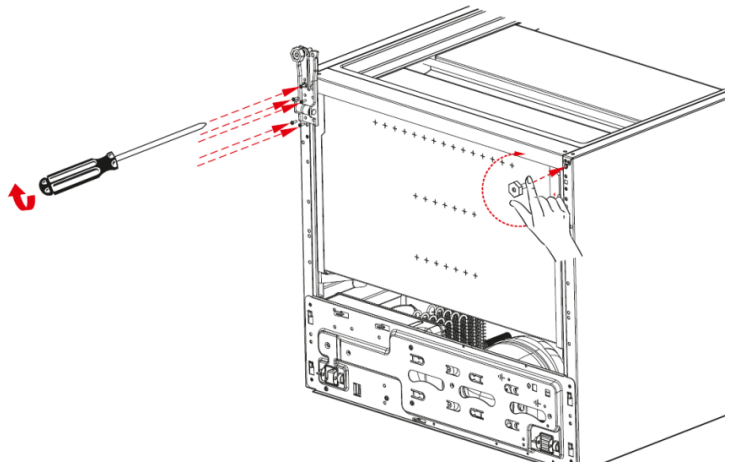


## Reversing the door

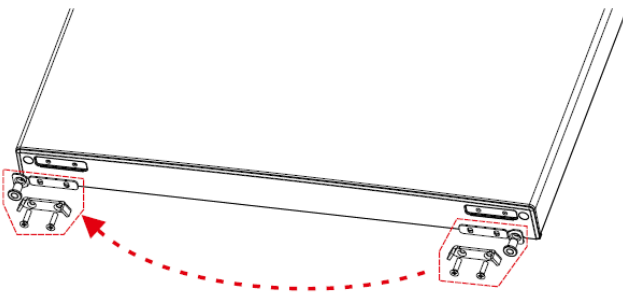
Unscrew the adjustable foot and unscrew the bottom hinge screws



Screw the bottom hinge to the left bottom side of refrigerator.  
Screw the adjustable foot there.



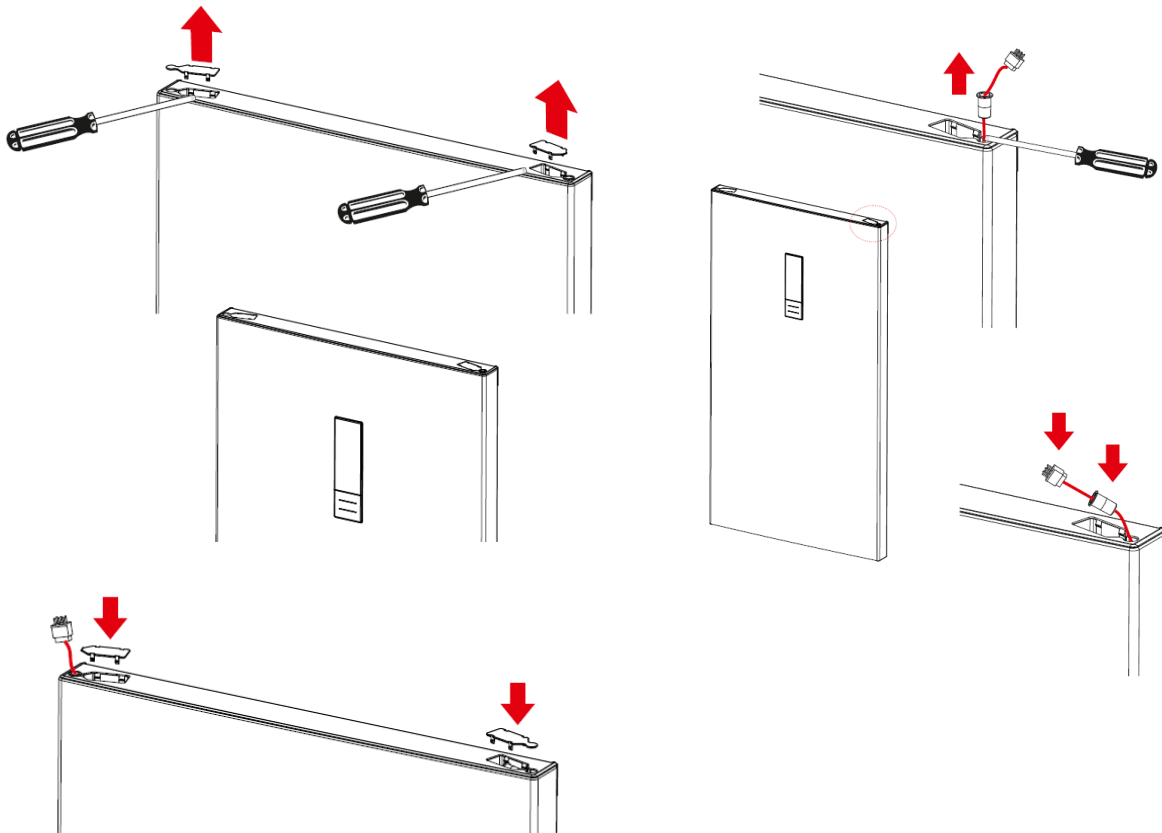
Unscrew the two screws fixing stopper and stopper support plate under the bottom door. After that screw the other side.





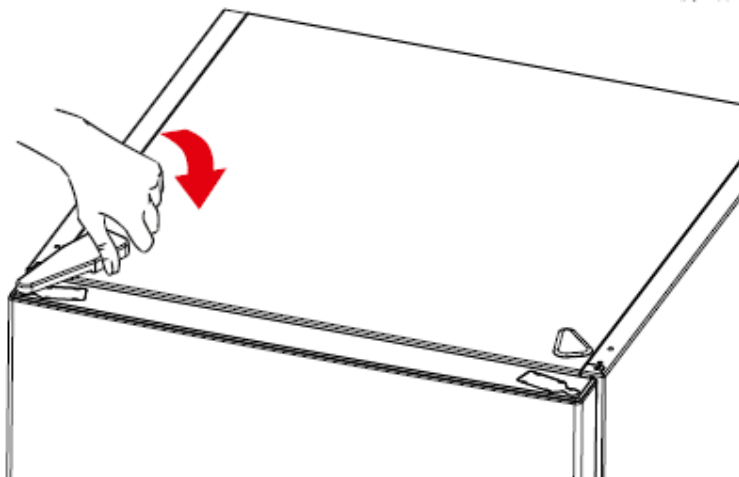
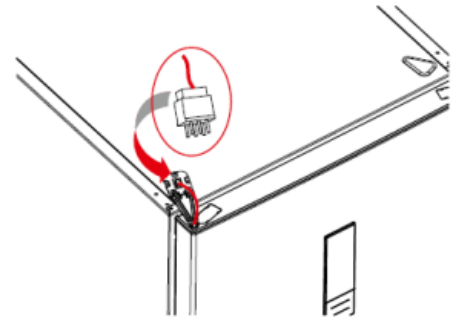
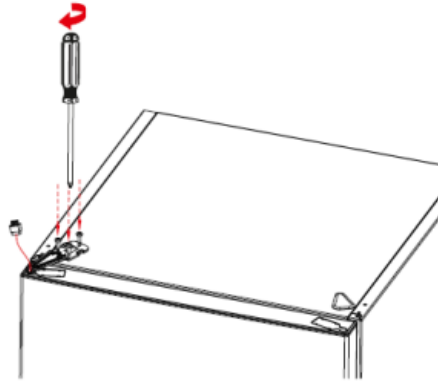
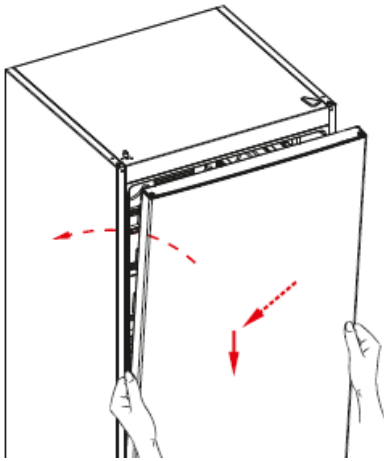
## Reversing the door

Remove the socket cover-right of the top door. Remove the display socket. Please use the socket cover to hidden other housing.



## Reversing the door

Place the door to the bottom hinge and then connect the display connector and screw the top hinge to the top panel. Place the top hinge cover.



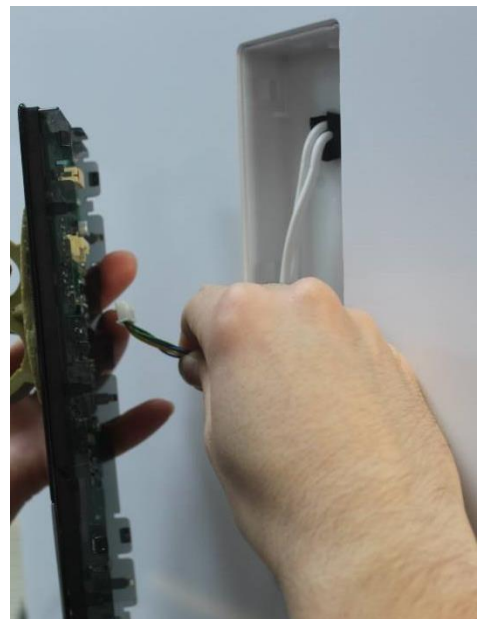


***CAUTION: The plug must be pulled out before the display is removed.***

Display can be removed with the disassembly tool. Do not use any sharp objects to remove the display.

Place and fix the disassembly tool on to display and pull to take out the display.

Take out the display cable socket.





**Warning: Make sure the unit is unplugged.**

**1.** Remove the refrigerator glass shelves and the flap cover supports left and right. (Picture-1 / Picture-2)



Picture-1



Picture-2

**2.** Remove the plugs by pulling them under the base with a pointed device to remove the screw plugs and remove the screws. (Picture-3-4-5)



Picture-3



Picture-4



Picture-5

**3.** Keep the air duct by the left side or right side and stretch it. Get rid of the nails. (Picture-6)



Picture-6

## ASSEMBLE & DISASSEMBLE OF FAN MOTOR

1. Remove the fan motor connector, unscrew the fan motor fixing screws and displace the fan motor and remove the propeller. (Picture-1 / Picture-2)



Picture-1



Picture-2

2. Displace the details on the fan motor box. (Picture-3)



Picture-4



Fan Motor Components

1. After remove the fan motor connector, airduct can be displaced (Picture-1 / Picture-2 / Picture-3)



Picture-1

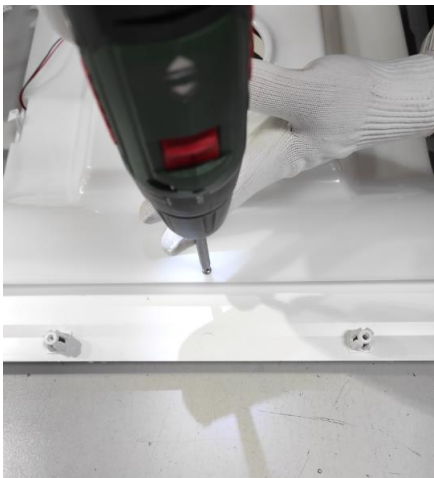


Picture-2

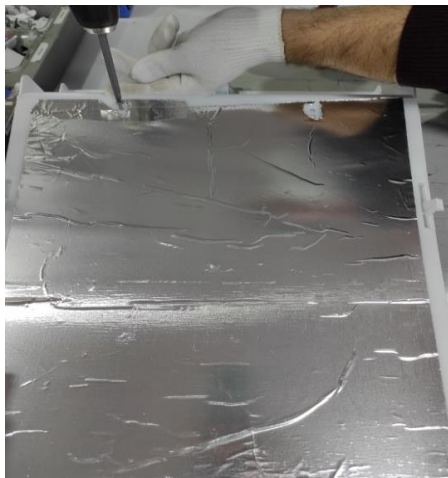


Picture-3

2. Unscrew the airduct fixing screws and Get rid of the nails carefully. (Picture-4 / Picture-5 / Picture-6)



Picture-4



Picture-5



Picture-6

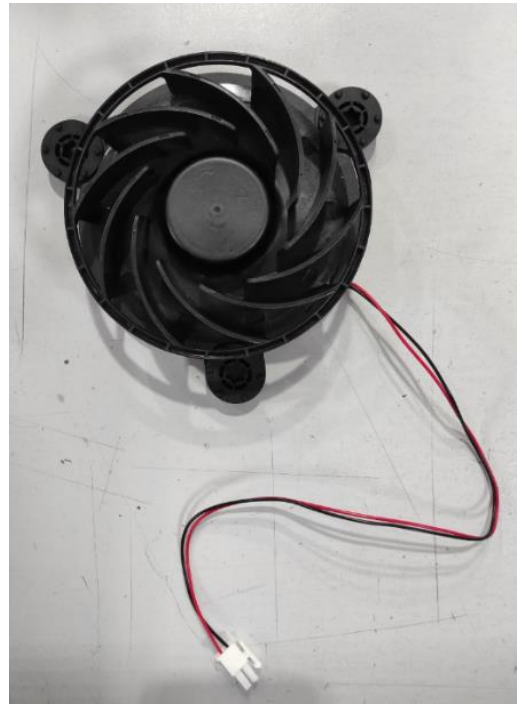
3. After remove the airduct cover, to displace the fan motor get rid of the the nail by using needlenose pliers. (Picture-7 / Picture-8 / Picture-9)



Picture-7



Picture-8

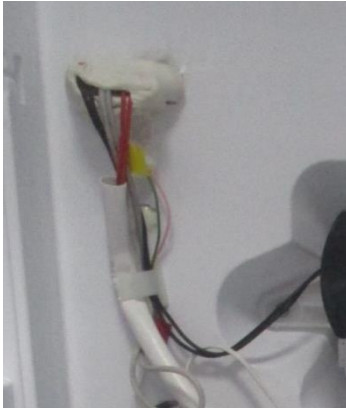


Picture-9



**Warning: This process needs gas deflation, gas re-charging and welding processes so its need to be done by trained professionals.**

1. Take out the fin evap heater (blue) connector and remove the bitumen covering the tubes.  
(Picture-1 / Picture-2)



Picture-1



Picture-2



**Warning: Before cutting the tube follow make sure the gas is evacuated.**

2. To take out the evaporator, tubes need to be cut with oxygen welding. (Picture-3 / Picture-4)  
Remove the evaporator by pulling forward in a horizontal direction. Do not push it up or down.  
You may broke the fixing plastics.



Picture-3



Picture-4



## Removing and Chancing The Mainboard

Unscrew the screws which are fixing the main board cover.



**CAUTION:** *The plug must be pulled out before the mainboard group is removed.*

Pull the mainboard slightly forward and disconnect all the connectors and then replace it. Finally, place the mainboard cover and screw it.



Remove the freezer sensor cover by pulling forward and disconnect sensor connector.



**Warning: Pay attention not to damage to the sensor cover details!**

### ASSEMBLE & DISASSEMBLE LED

Remove the led cover by pulling forward and disconnect the connector.



## ASSEMBLE & DISASSEMBLE REED SWITCH

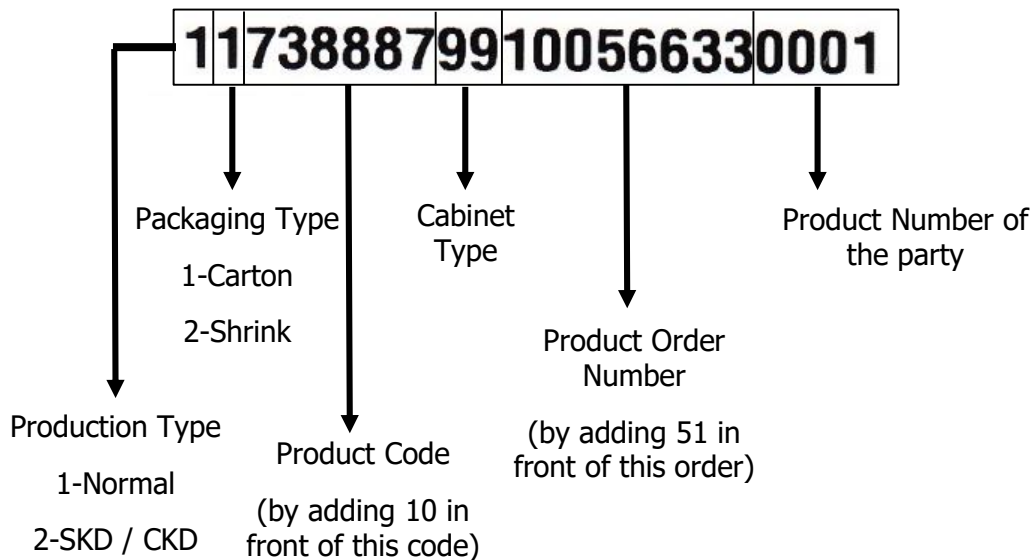
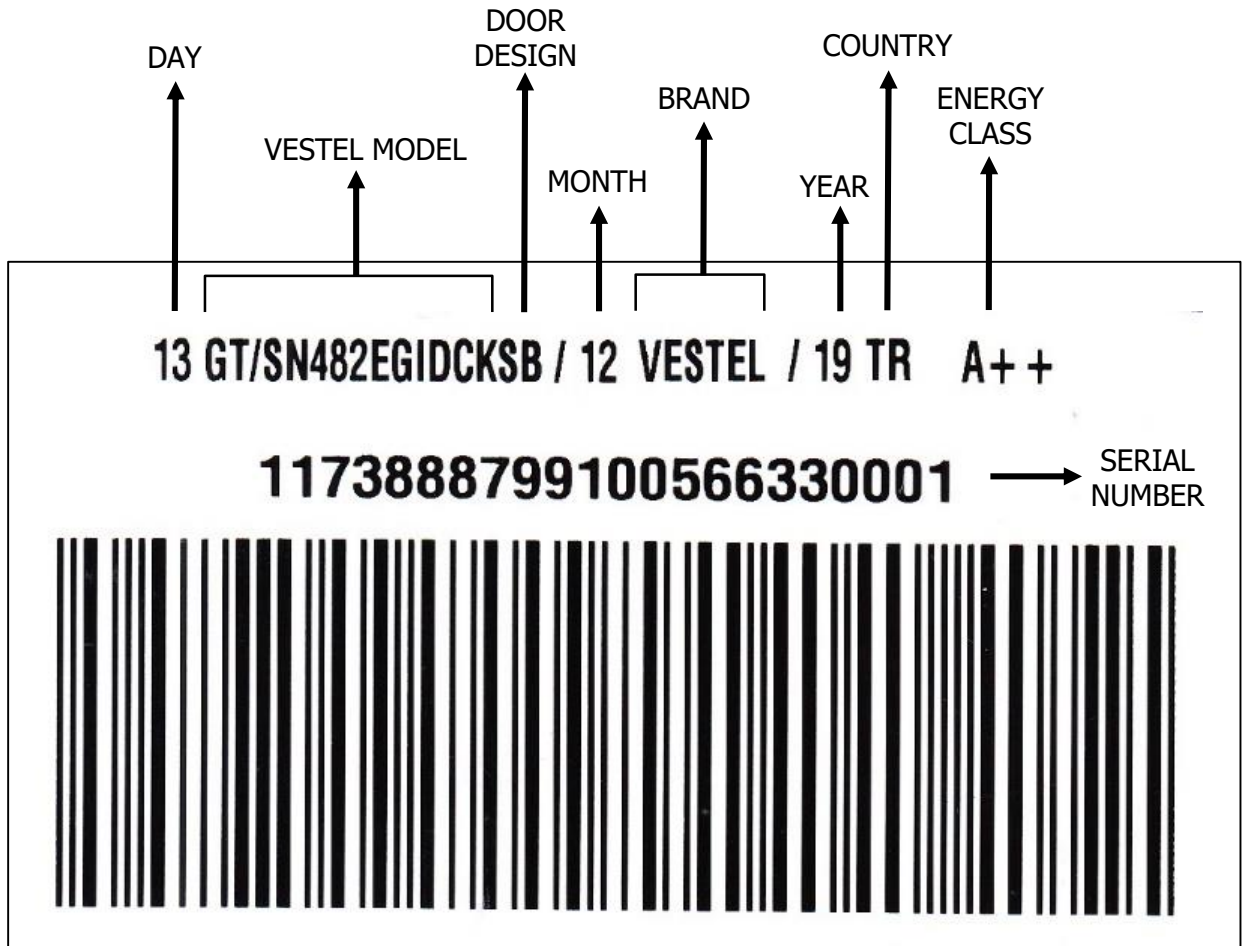
Take the reed switch out of its place with a screwdriver. Then Disconnect the connectors of the Switch and remove it.

**NOTE:** Reed Switch is a very sensitive miniature electronic card. So during the assembly and disassembly be carefull not to damage it.



## Barcode and Serial Number Explanation:

Vestel refrigerator serial numbers are consist of 22 digits.



**Exp:10738887**