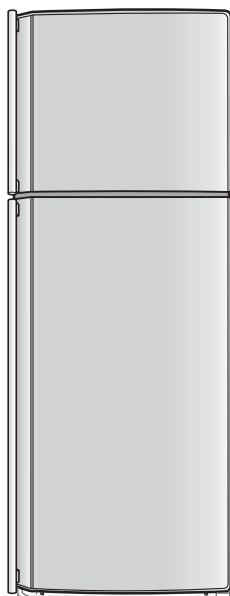


# SHARP SERVICE MANUAL

No.S2115SJ39CSUMT



## Refrigerator-freezer MODELS

**SJ-GC440V-BK/SL**  
**SJ-GC480V-BK/SL**  
**SJ-SC440V-BE/SL/WH**  
**SJ-SC480V-BE/SL/WH**



DESTINATION ..... E

Refrigerant; R600a

Refer to "REFRIGERATING-CYCLE REPAIR MANUAL" for handling this refrigerant.

### CONTENTS

[1] INSTALATION .....	2	[ 8 ] FAILURE DIAGNOSIS .....	16
[2] SPECIFICATIONS .....	3	1. OUTLINE OF CONTROL .....	16
[3] FICHE .....	5	2. CHECK MODE OF DEFROST HEATER (Forced Defrosting) ...	16
[4] DESIGNATION OF VARIOUS PARTS .....	6	3. RE-SETTING OF MICROCOMPUTER AT POWER FAILURE ...	17
1. EXTERNAL DESCRIPTION .....	6	4. DIAGNOSIS METHOD OF FAILURE AROUND PWB ...	17
2. CONSTRUCTIONS .....	7	5. METHOD OF STOPPING THE DOOR ALARM TEMPORARILY .....	18
[5] DIMENSIONS .....	8	6. SELF-DIAGNOSIS MODE .....	18
1. OUTER DIMENSIONS AND CLEARANCE	8	7. CONVERSION TABLE BETWEEN TEMPERATURE AND RESISTANCE VALUE ...	19
2. INNER DIMENSIONS .....	10	[ 9 ] ASSEMBLING PROCEDURES OF MAIN PARTS AND CAUTIONS .....	20
[6] LIST OF ELECTRICAL PARTS .....	11	1. FAN LOUVER AND E.V COVER ASSEMBLY ...	20
[7] WIRING DIAGRAM .....	12	2. R CONTOROL COVER ASSEMBLY .....	22
1. WIRING DIAGRAM .....	12	3. R SHOWER DUCT ASSEMBLY .....	25
2. ELECTRIC ACCESSORIES LAYOUT .....	13	4. DEFROST HEATER ASSEMBLY .....	26
3. CIRCUIT DIAGRAM .....	14	[10] COOLING UNIT .....	28
4. PRECAUTIONS FOR USING LEAD-FREE SOLDER .....	15	1. COOLING UNIT .....	28
		2. LOCATION .....	29

Parts Guide

SHARP CORPORATION

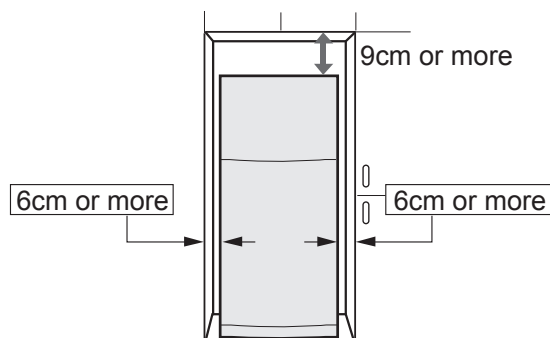
This document has been published to be used for  
after sales service only.  
The contents are subject to change without notice.

## [1] INSTALATION

### 2. INSTALATION

Free standing type

- To ensure adequate ventilation for this refrigerator, install with 6 cm space at the rear and both sides, with a minimum space of 9 cm above the refrigerator.



- This refrigerator shall be used under the ordinary place condition between +5 °C and +43 °C of ambient temperature, and also not be left under -10 °C for long days.
- To be used this refrigerator within the range of the rated voltage $\pm 6\%$ .

**[2] SPECIFICATIONS**

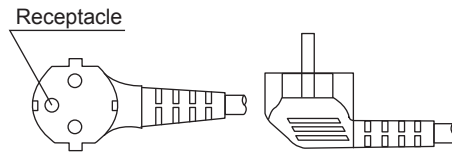
Items		SJ-GC440V	SJ-SC440V	SJ-GC480V	SJ-SC480V
Type		2 Door			
Outer dimensions	Height	1670 mm ( 65.7 ")		1770 mm ( 69.7 ")	
	Width	644 mm ( 25.4 ")		644 mm ( 25.4 ")	
	Depth	688 mm ( 27.1 ")	682 mm ( 26.9 ")	688 mm ( 27.1 ")	682 mm ( 26.9 ")
Rated storage volume	Total	363 liter ( 12.9 cu.ft)		393 liter ( 13.9 cu.ft)	
	Freezer	99 liter ( 3.5 cu.ft)		99 liter ( 3.5 cu.ft)	
	Refrigerator	264 liter ( 9.4 cu.ft)		294 liter ( 10.4 cu.ft)	
Rated gross volume	Total	400 liter ( 14.1 cu.ft)		431 liter ( 15.2 cu.ft)	
Defrosting	System	Heater system			
	Start	Automatic			
	Finish	Automatic			
Door material		Glass	Steel	Glass	Steel
Temperature control		Automatic (Adjustable)			
No-frost freezer		Yes			
Interior lamp (refrigerator)		1			
Evaporating pan		1 (unremovable)			
Freezer Compartment	F-shelf	1			
	Ice cube maker	Twin ice cube maker			
	Ice storage box	1			
	Freezer bar	1			
	RF door pocket	1			
Refrigerator Compartment	Fresh case	1			
	Fresh door	1			
	R glass shelf ass'y	2			
	V glass shelf ass'y	1			
	Vegetable case	1			
	Divider	1			
	Egg tray	1			
	R door pocket	1			
	RF door pocket	1			
	Utility pocket	2			
	Utility pocket L	—			1
	Bottle pocket	1			
Tube stand	1				
Plasmacluster unit		1			
Deodorizing unit (Honeycomb type)		1			

## RATING

Items		SJ-GC440V	SJ-SC440V	SJ-GC480V	SJ-SC480V
Rated voltage	(V~)	220-240			
Rated frequency	(Hz)	50			
Climate class		SN-T			
Rated current	(A)	0.45-0.50			
Rated input of heating systems	(W)	125-148			
Defrosting input	(W)	125-148			
Refrigerant (Charging quantity) [Flammable]		R600a(50g)			
Insulation blowing gas [Flammable]		Cyclo pentane (HC)			
Net Weight	(kg)	68	64	70	66

# SJGC480VSL

PLUG TYPE	
Plug cord	2pin+Earth
Plug type	CS
Destination mark	E



## COLOR

Items	-BK	-SL	-WH	-BE
Outside color	Black	Silver	White	Beige
Inside color	White	White	White	White

## [3] FICHE

## THE FICHE(according to ANNEX II : 94/2/EC)

NO.	Items	Description				Remark
		<b>SHARP</b>	<b>SHARP</b>	<b>SHARP</b>	<b>SHARP</b>	
1	Trade mark	<b>SHARP</b>	<b>SHARP</b>	<b>SHARP</b>	<b>SHARP</b>	
2	Model name	SJ-GC440V	SJ-SC440V	SJ-GC480V	SJ-SC480V	
3	Type	Category;7	Category;7	Category;7	Category;7	fridge/freezer
4	Energy efficiency class	A+	A+	A+	A+	A++/A+/A~G
5	Eco-award mark	—	—	—	—	880/92
6	Energy consumption (230V 50Hz at 25°C)	348 kWh/year	348 kWh/year	350 kWh/year	350 kWh/year	EN153:2006
7	Net storage volume of fresh food storage compartment	264L	264L	294L	294L	
8	Net storage volume of frozen food (4star compartment)	99L	99L	99L	99L	✱✱✱✱
9	Star rating of frozen food compartment	✱✱✱✱	✱✱✱✱	✱✱✱✱	✱✱✱✱	✱✱✱✱
10	No frost	No frost	No frost	No frost	No frost	
11	Temperature rise time	14h	14h	14h	14h	at 25°C
12	Freezing capacity	4.75kg/24h	4.75kg/24h	4.75kg/24h	4.75kg/24h	at 25°C
13	Climate class	SN-T	SN-T	SN-T	SN-T	
14	Noise	37dB(A) re 1 pw	37dB(A) re 1 pw	37dB(A) re 1 pw	37dB(A) re 1 pw	86/594/EEC

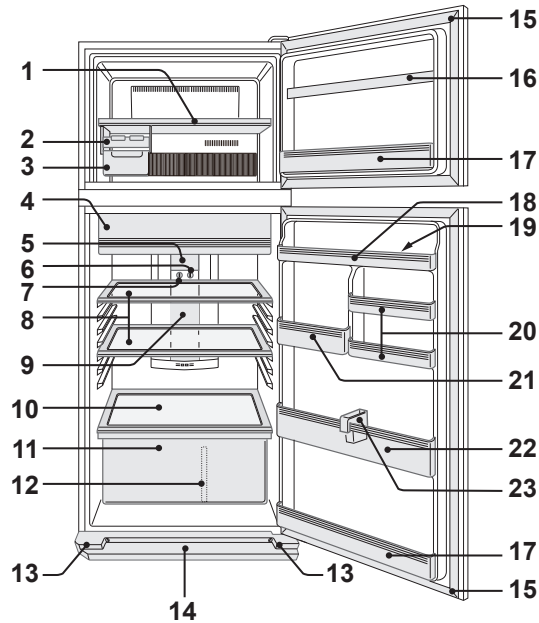
(96/57/EC)

15	Tier	4	4	4	4	
----	------	---	---	---	---	--

## [4] DESIGNATION OF VARIOUS PARTS

### 1. EXTERNAL DESCRIPTION

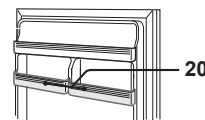
The names in parenthesis “[ ]” are the denominations used in the PARTS GUIDE.



SJ-GC480V  
SJ-SC480V

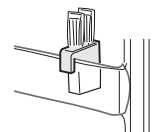
- 1. Freezer shelf [Fshelf]
- 2. Ice cube maker
- 3. Ice cube box [Ice storage box]
- 4. Fresh case & door
- 5. Refrigerator light [Lamp]
- 6. Freezer temp. control knob
- 7. Refrigerator temp. control knob
- 8. Refrigerator shelf [R glass shelf ass'y] (2 pcs.)
- 9. Hybrid cooling panel (Aluminum panel)  
The panel is cooled from the rear, thus indirectly cooling the refrigerator compartment. In this way, food is refrigerated gently, without exposing it to cold air flow.
- 10. Fruit and Vegetable shelf [V glass shelf ass'y]
- 11. Fruit and Vegetable crisper [Vegetable case]
- 12. Divider [V parting plate]
- 13. Adjustable feet [Adjustable leg] (2 pcs.)
- 14. Foot cover [Base cover]
- 15. Magnetic door seal [Door packing] (2 pcs.)
- 16. Freezer bar
- 17. Door pocket [RF door pocket] (2 pcs.)
- 18. Refrigerator pocket [R door pocket]

- 19. Egg holder [Egg tray]
- 20. Utility pocket (2 pcs.)

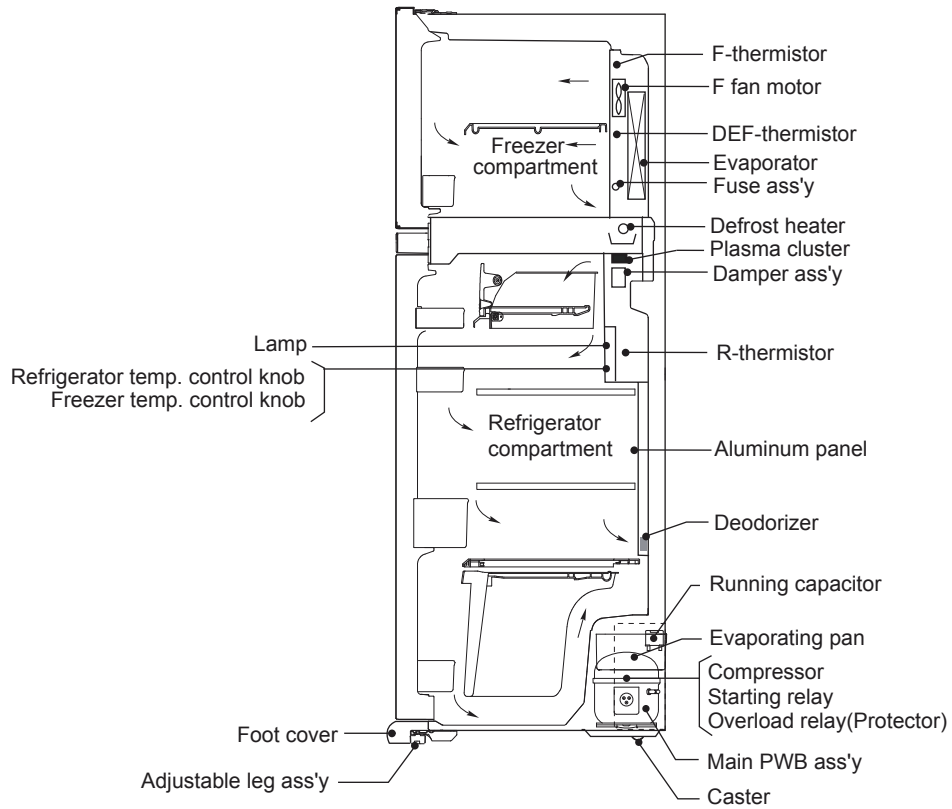


SJ-GC440V, SJ-SC440V

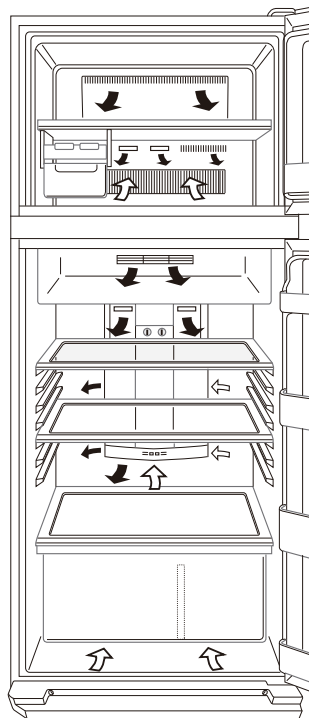
- 21. Utility pocket (large)  
(Only for SJ-GC480V, SJ-SC480V)  
• Do not replace the right and left position of the utility pocket and the utility pocket (large).
- 22. Bottle pocket  
Prevents bottles etc. from falling.
- 23. Tube stand  
Stick-type food products stored inside.



2. CONSTRUCTIONS



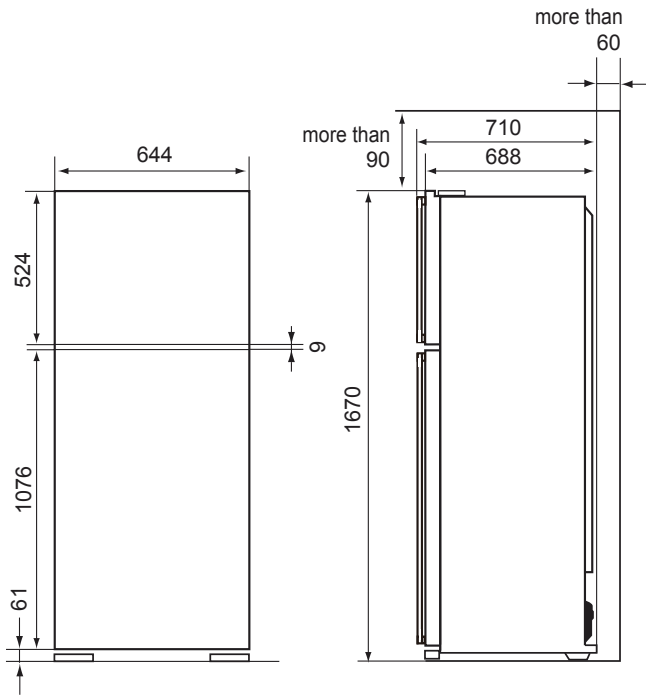
Cold air flow



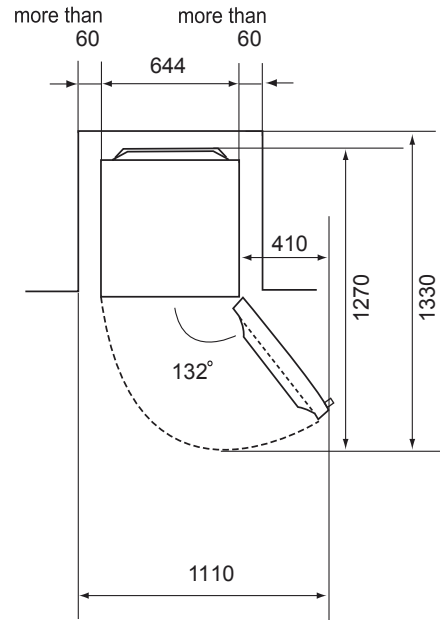
## [5] DIMENSIONS

### 1. OUTER DIMENSIONS AND CLEARANCE

#### 1. SJ-GC440V

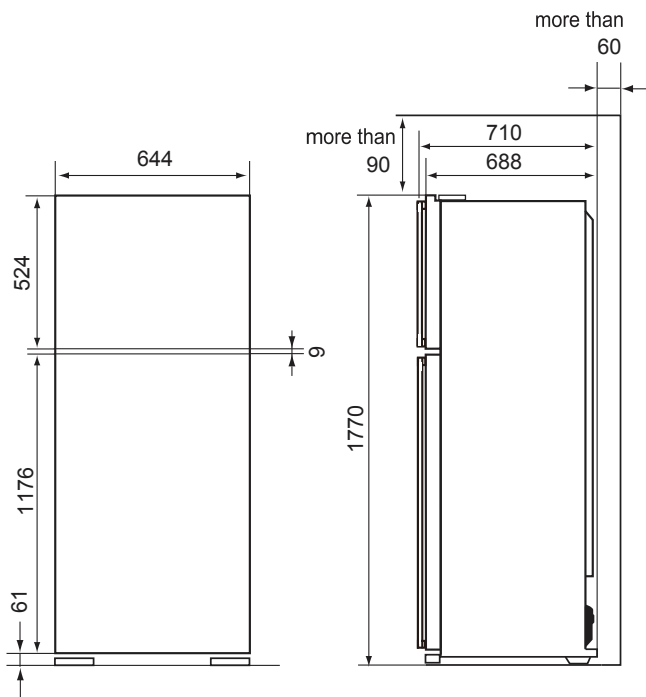


This model is Free standing type.  
(Not built-in type.)

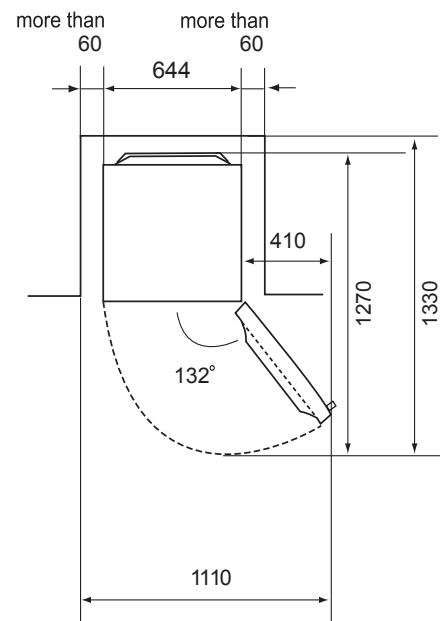


(Unit: mm)

#### 2. SJ-GC480V



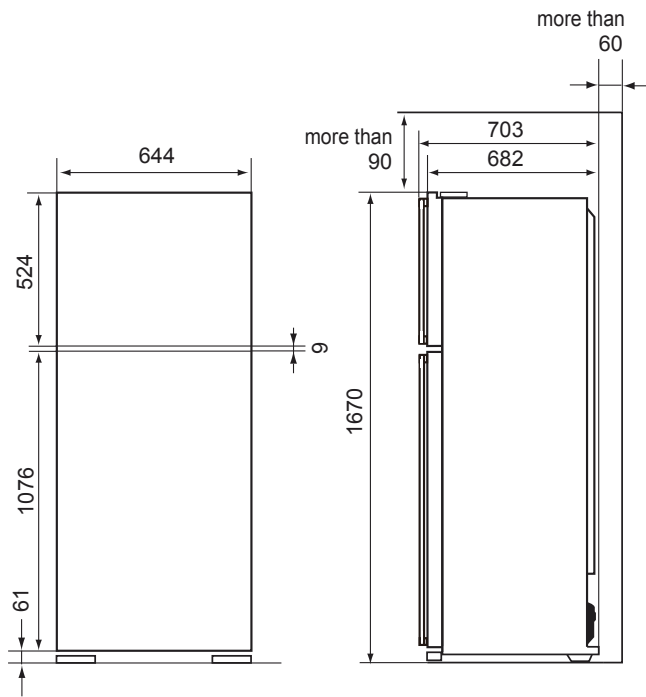
This model is Free standing type.  
(Not built-in type.)



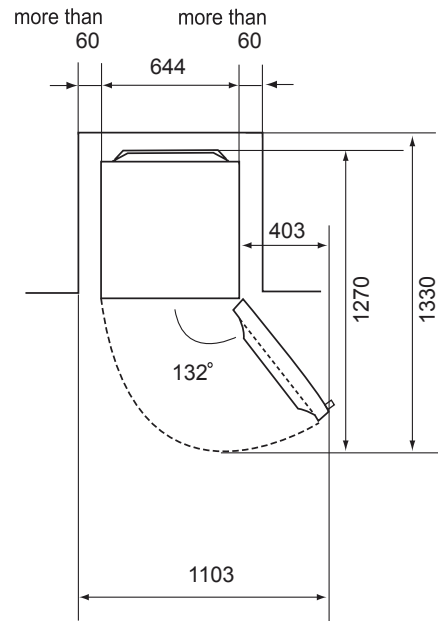
(Unit: mm)



3. SJ-SC440V

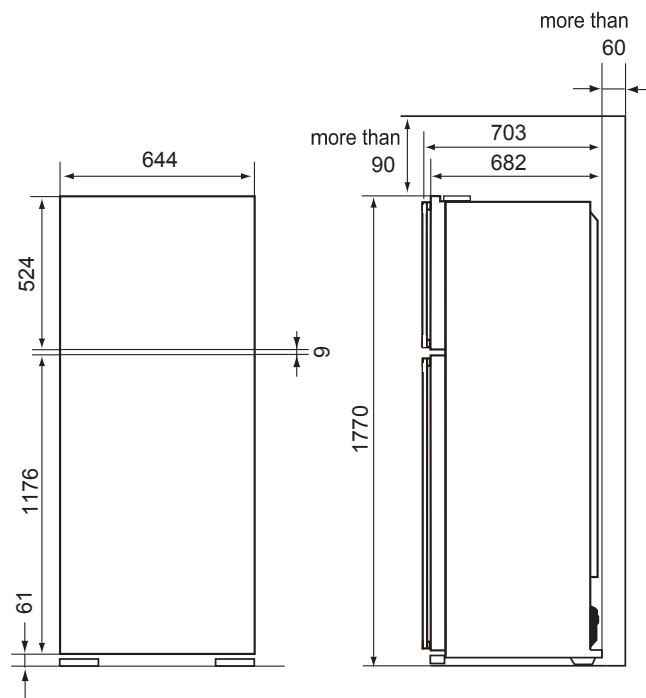


This model is Free standing type.  
(Not built-in type.)

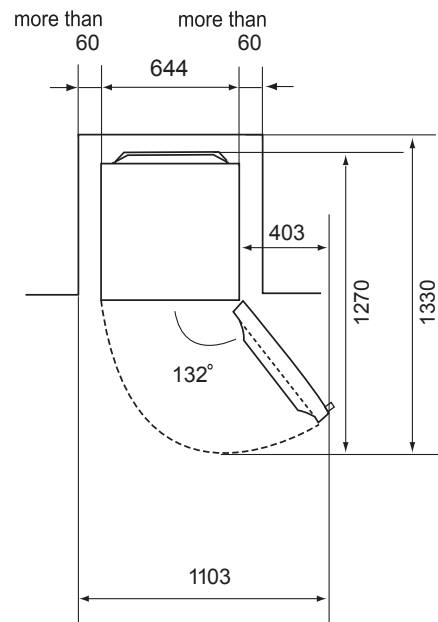


(Unit: mm)

4. SJ-SC480V



This model is Free standing type.  
(Not built-in type.)

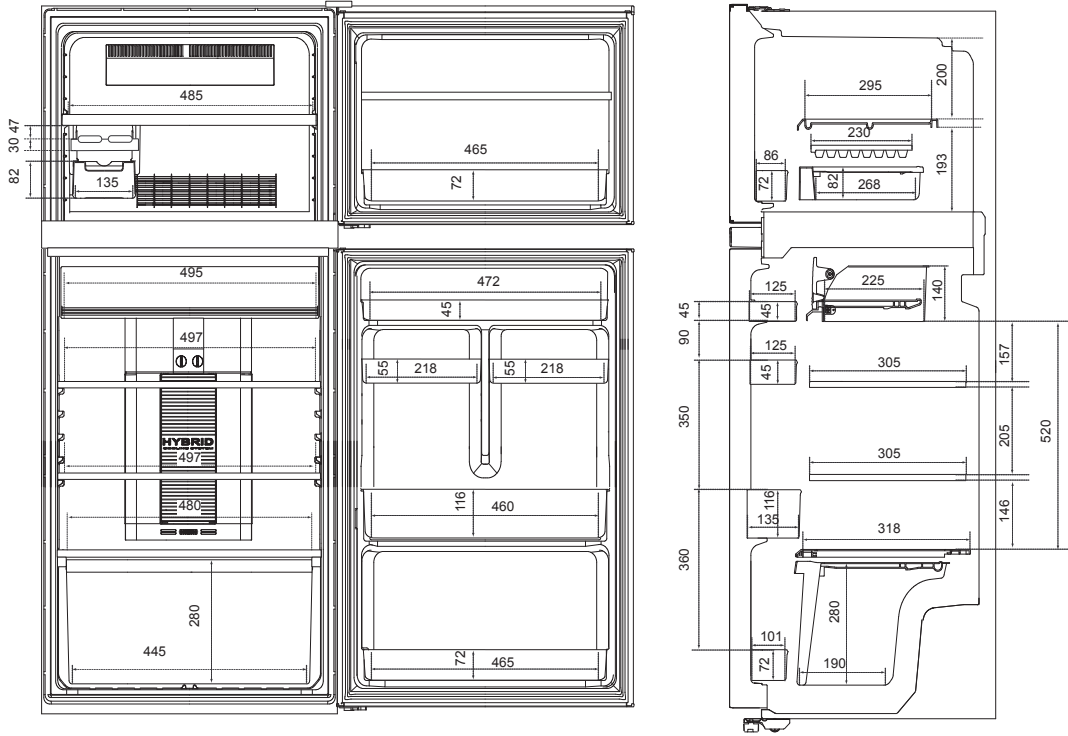


(Unit: mm)

## 2. INNER DIMENSIONS

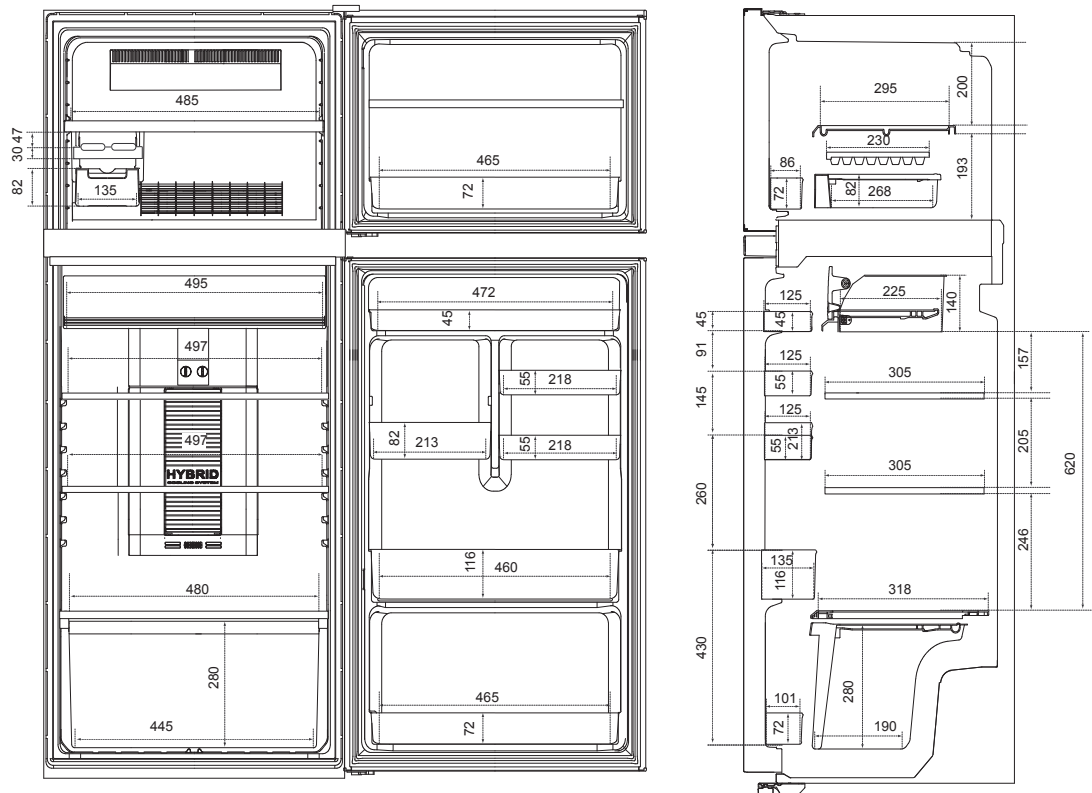
The dimensions between shelves can be changed by setting the shelves on the other rails.

### 1. SJ-GC440V/SC440V



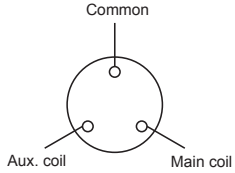
(Unit: mm)

### 2. SJ-GC480V/SC480V



(Unit: mm)

**[6] LIST OF ELECTRICAL PARTS**

ITEMS	TYPE NAME	RATING	SPECIFICATIONS
R Thermistor	—	DC 5V	R0 = 6.4 k $\Omega$ , B(0) = 3811
F Thermistor	—	DC 5V	R0 = 6.4 k $\Omega$ , B(0) = 3811
Defrost Thermistor	—	DC 5V	R0 = 15 k $\Omega$ , B(0) = 3811
Thermo. fuse	12Y	250V 2A	Working temp. : 76 °C
Defrost heater	—	240V 378 $\Omega$	140W at 230V
Fan motor	FBA12J15VXD	DC 15V	—
F Door switch	D3D-211	250V 0.5A/125V 1A	3 Terminals lever type
R Door switch	D3D-211	250V 0.5A/125V 1A	3 Terminals lever type
R Lamp	—	240V 50Hz	#187 Straight Terminal, Pitch 6
Compressor	FL15S68NAA	220-240V/50Hz	Cooling capacity : 200W (50Hz) Main coil : 14.3 $\Omega$ Aux. coil : 21.1 $\Omega$ (AT 75 °C) 
Starting Relay	PGN6SBT	50/60 Hz	22 $\pm$ 4.4 $\Omega$ (at 25 °C)
Overload Relay (Protector)	5TM232RFBYY-53	—	Open/ Close : 130 $\pm$ 5.0 / 61 $\pm$ 9.0 °C
Running capacitor	RC-EZA254CBZZ	—	400V 5 $\mu$ F
Main & Sub PWB ass'y	FPWB-A778CBKZ	220-240V	—
VR PWB	FPWB-A554CBKZ	DC 5V	—
Ionizer-K (Plasmacluster)	CKITTA159AKKZ	DC12V	—
Damper ass'y	DTHM-A043CBKZ	DC12V	—

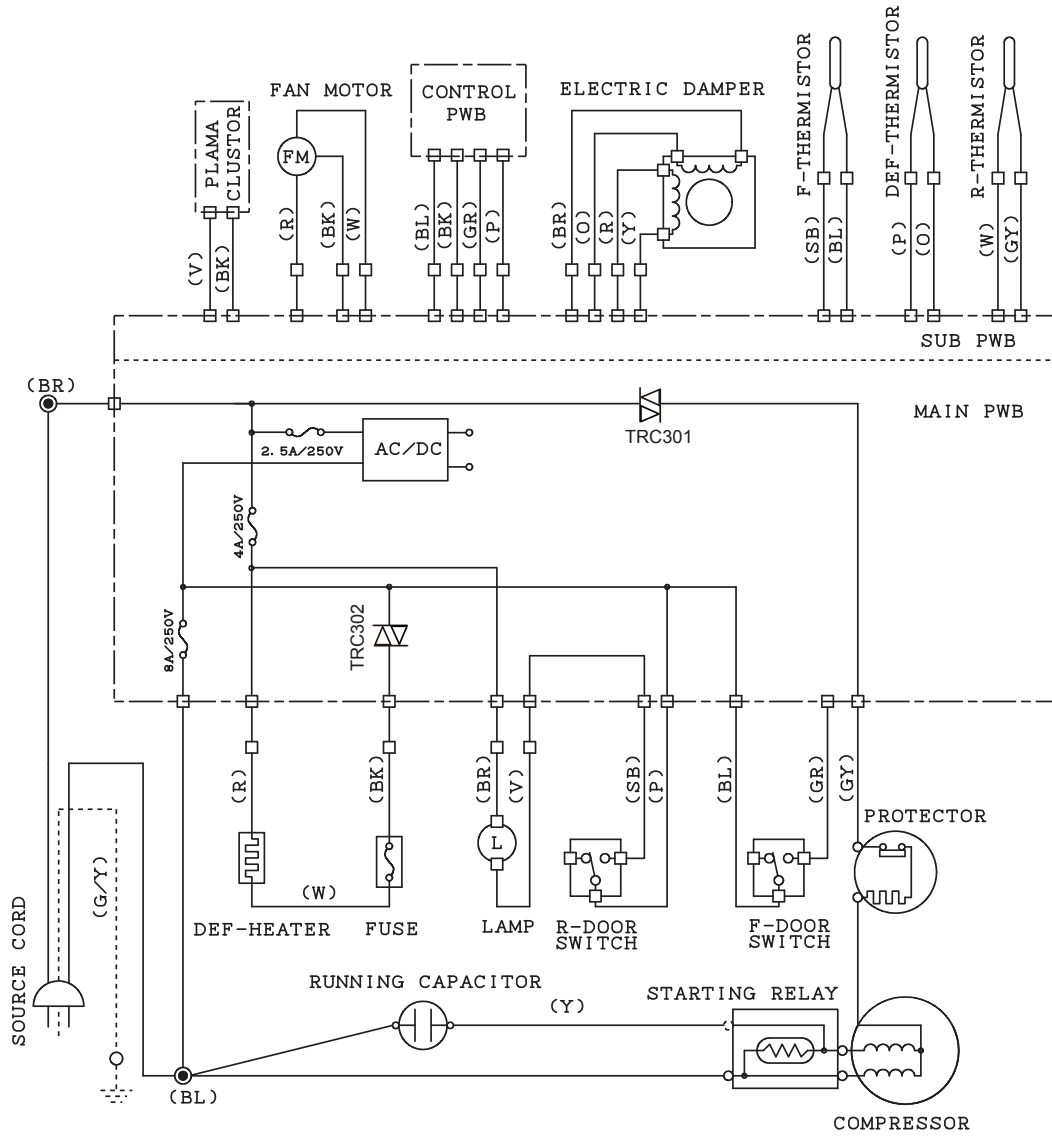
# [7] WIRING DIAGRAM

## 1. WIRING DIAGRAM

Be sure to replace the electrical parts with specified ones for maintaining the safety and performance of the set.

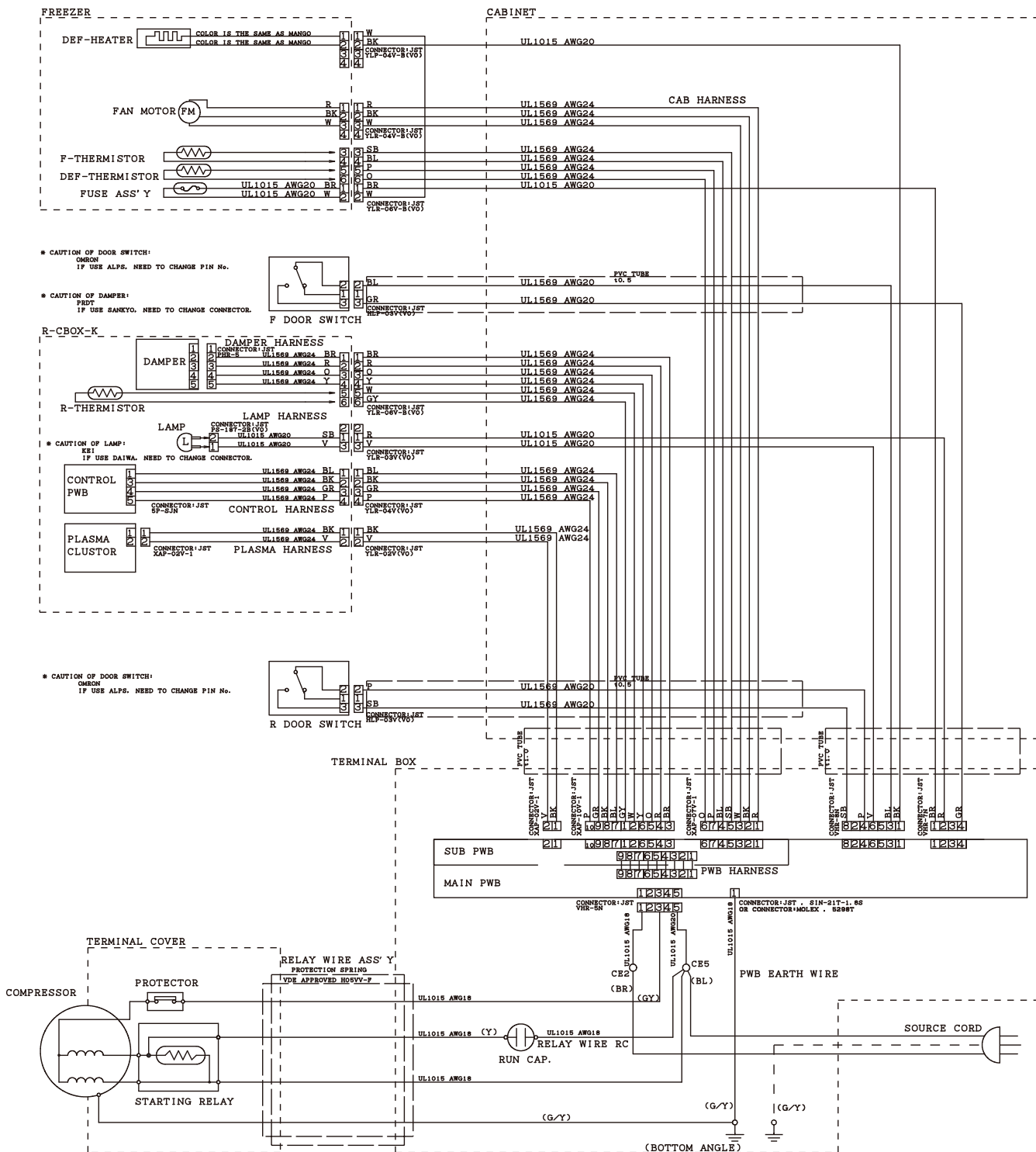
● CONNECTOR IN TERMINAL BOX

□ CONNECTOR

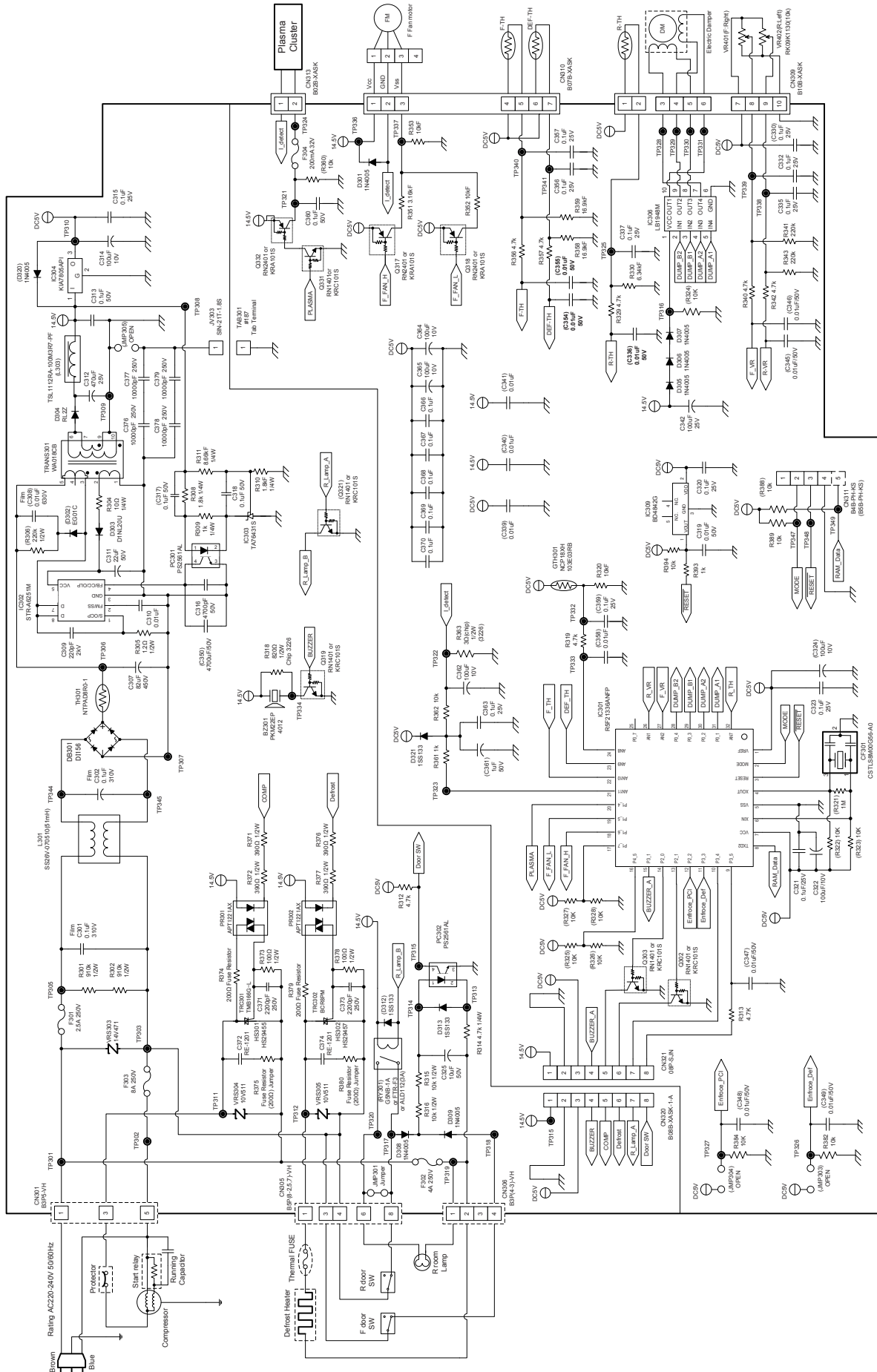


- BK : BLACK
- BR : BROWN
- R : RED
- O : ORANGE
- Y : YELLOW
- GR : GREEN
- BL : BLUE
- V : VIOLET
- GY : GRAY
- W : WHITE
- P : PINK
- SB : SKY-BLUE
- G/Y : GREEN/YELLOW STRIPE

## 2. ELECTRIC ACCESSORIES LAYOUT



### 3. CIRCUIT DIAGRAM



**Main Control Board Circuit Diagram**

1. Rating of resistors without appointment are 1/10W, error 5%(J).
2. Rating of capacitors without appointment are 0.01uF/50V, 0.1uF/25V.
3. Part with parentheses are not in use, but can be inserted.

## 4. PRECAUTIONS FOR USING LEAD-FREE SOLDER

### 1) Employing lead-free solder

The PWB of this model employs lead-free solder. This is indicated by the "LF" symbol printed on the PWB and in the service manual. The suffix letter indicates the alloy type of the solder.

**Example:**

**LF**a  
Sn-Ag-Cu

Indicates lead-free solder of tin, silver and copper

### 2) Using lead-free wire solder

When repairing a PWB with the "LF" symbol, only lead-free solder should be used. (Using normal tin/lead alloy solder may result in cold soldered joints and damage to printed patterns.)

As the melting point of lead-free solder is approximately 40°C higher than tin/lead alloy solder, it is recommend that a dedicated bit is used, and that the iron temperature is adjusted accordingly.

### 3) Soldering

As the melting point of lead-free solder (Sn-Ag-Cu) is higher and has poorer wettability, (flow), to prevent damage to the land of the PWB, extreme care should be taken not to leave the bit in contact with the PWB for an extended period of time. Remove the bit as soon as a good flow is achieved. The high content of tin in lead free solder will cause premature corrosion of the bit. To reduce wear on the bit, reduce the temperature or turn off the iron when it is not required.

Leaving different types of solder on the bit will cause contamination of the different alloys, which will alter their characteristics, making good soldering more difficult. It will be necessary to clean and replace bits more often when using lead-free solder. To reduce bit wear, care should be taken to clean the bit thoroughly after each use.

## [ 8 ] FAILURE DIAGNOSIS

### 1. OUTLINE OF CONTROL

#### 1) ON/OFF Control of Compressor

ON/OFF of the compressor will be controlled depend on the temperature detected by the R-thermistor and F-thermistor. (Normal cooling control)

In case the surrounding temperature is high at the power supply input, the compressor will be ON at once and the normal cooling control will start after several hours.

• During 5 minutes after the compressor stops, it will not start regardless of the detected temperature by R-thermistor and F-thermistor.

#### 2) Defrosting

Microcomputer calculates the appropriate timing of defrosting and defrosting is made automatically. Therefore no manual operation by user is required. The cycle of defrosting varies depend on the usage condition of the refrigerator. (Maximum time 50 hours, minimum time 40 minutes)

It is possible to perform defrosting forcedly by turning ON the power with the door of the refrigerating room opened.

#### 3) Thermistor

Thermistors are installed in 4 places; in the refrigerator and freezer compartment, and on the Main PWB and close to Evaporator. (R-thermistor, Fthermistor, Outside temp-thermistor, Def-thermistor)

R-thermistor and F-thermistor reads the temperature in the refrigerator and freezer compartment respectively and controls ON/OFF of the compressor and OPEN/CLOSE of the electrical damper.

Def-thermistor detects the temperature around the evaporator and shows the progress of defrosting.

Outside temp-thermistor reads the surrounding temperature of refrigerator. It changes the operation mode by the outside temperature.

### 2. CHECK MODE OF DEFROST HEATER (Forced Defrosting)

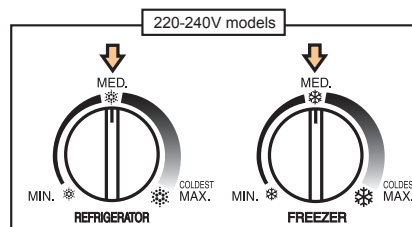
The operation of the defrost heater can be checked by starting it.

In case the failure of defrosting is suspected, this is an effective inspection method.

#### 1) Starting Method

At the power OFF condition.

1. Keep the door of the refrigerator or freezer compartment open.
2. Set both Temp. Control Knobs to the position shown in the figure.
3. Keep the door open and supply power source.



#### 2) Normal Operation

1. Approximately 2 seconds after power supply, the relay on the PWB will be turned ON and the defrost heater will be electrified for 10 seconds.
2. After 10 seconds, if the temperature of Def-thermistor reaches high enough (over 10°C) and judged as defrosting completion, it returns to the normal control.

On the other hand, if the temperature of Def-thermistor is still low (under 10°C), the defrost heater will be electrified until the temperature of Def-thermistor reaches the specified temperature or higher.

After completion of electrification, it returns to the normal control after 5 minutes.

\* In the case that there is any abnormality in Door Switch, Potentiometer (Control knob), any thermistors, or the Temp. Control Knob is not in the position corresponding to the value of the rating voltage settled to the PWB itself, this mode will not be entered nor the defrost heater is electrified.



### 3. RE-SETTING OF MICROCOMPUTER AT POWER FAILURE

- At the power failure for over 0.2 second, the control of the microcomputer will be reset.

(Microcomputer might continue to operate for approximately 10 seconds maximum at power failure depending on the load at the operation. When you need the definite power off condition ,approximately 30 seconds is necessary.)

- When the power is re-supplied, the normal cooling will be resumed.

### 4. DIAGNOSIS METHOD OF FAILURE AROUND PWB

In case of any abnormality of refrigerator, check by the following procedure;

1. Disconnect power supply and check the following point.
  - Is there any failure portion in inserting connectors?
2. Detach the PWB and check the appearance.
  - Is there any burning or abnormal damage?
3. Check the conditions of the fuse and the varistor. (Fuse and varistor are located at the position in the figure.)
  - Under the condition of power supply plug connected;

In case of cooling but indoor lamp lighting, there might be a possibility of fuse (F301) melt down.

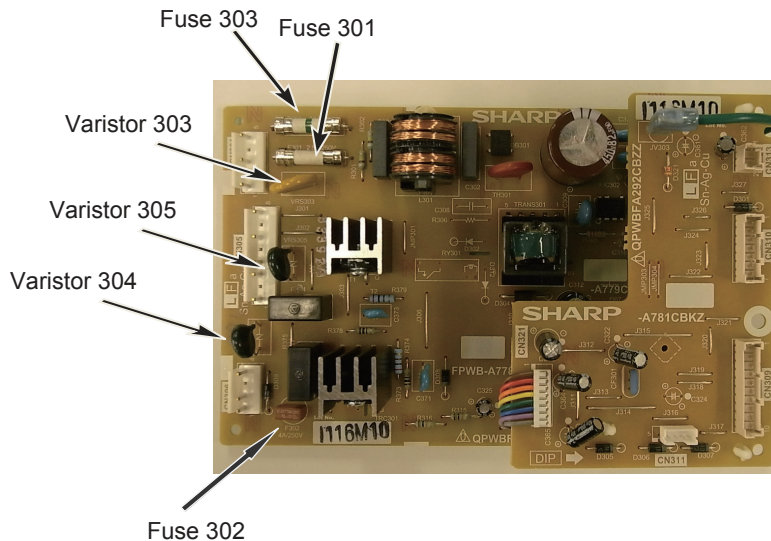
(However, these indications do not conclude the cause of the defect.)

When the fuse F302 is melt down, indoor lamp, door switch and defrosting heater are not electrified.

When the fuse F303 is melt down, PWB does not operate at all.

Melting in the fuse cannot be checked visually (as the safer one than transparent glass tube is used).

- Be sure to detach the connector "CN301" when you measure the resistance between the both ends of the fuse by the tester.
- Next, check the appearance of varistors.



4. Check whether the temperature (resistance value) shown by R-thermistor is correct or not. (Refer to the table below.)

- Detach the connector "CN309" on the PWB and measure the resistance value between 1 and 2 pins.

5. Check whether the temperature (resistance value) shown by Def-thermistor is correct or not. (Refer to the table below.)

- Detach the connector "CN310" on the PWB and measure the resistance value between 6 and 7 pins.

6. Check whether the temperature (resistance value) shown by F-thermistor is correct or not. (Refer to the table below.)

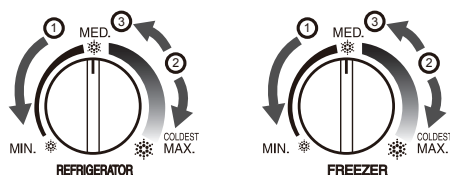
- Detach the connector "CN310" on the PWB and measure the resistance value between 4 and 5 pins.

### 5. METHOD OF STOPPING THE DOOR ALARM TEMPORARILY

Adjust both temp.control knobs at the same time as following steps.

(Adjust ① ~ ③ within 20 seconds)

- ① Adjust to MIN
- ② Adjust to MAX
- ③ Return to MED



• The door alarm will sound again after approximately 2 days.

### 6. SELF-DIAGNOSIS MODE

#### 1) How to input

1. Open R door.
2. Set the both R and F temp. control knob to "MAX" position.  
Operate 3 and 4 within 20 seconds
3. Operate the only R temp. control knob as follows.  
"MAX" → "MIN" → "MAX"
4. Close and open the R door three times  
"close → open → close → open → close → open"
5. When MPU accept the Self-diagnosis mode , a long buzzer rings pi--- .  
And the check mode goes on for 2 minutes.

#### 2) Operation in mode

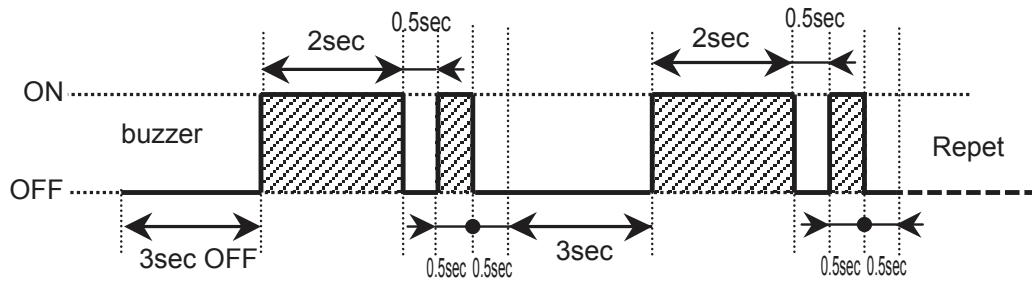
1. The compressor ,F fan motor and Plasmacluster are compulsorily turned on.
2. If there is any trouble with each thermistor(F, R and DEF ), F fan motor ,Plasmacluster, MPU keeps a buzzer ringing during check mode (for 2 minutes) .  
If there is no trouble , the buzzer doesn't ring.

#### Error buzzer

Error Part	Buzzer	Detail of error as concerned.
F-thermistor	●	} Part is no good Connector miss input, wiring cut PWB side is error
R-thermistor	● ●	
DEF-thermistor	● ● ●	
Thermistor (GTH)	● ● ● ●	
F fan motor	◎ ●	Part is no good Fan lock, Current is low or high. Connector miss input, wiring cut PWB side is error
Plasmacluster	◎ ● ●	Part is no good Connector miss input, wiring cut PWB side is error

● : 0.5sec ON and 0.5 sec OFF  
 ◎ : 2sec ON and 0.5 sec OFF  
 3sec OFF between each pattern

**Example buzzer : F fan motor**



\* If there is no trouble , the buzzer keeps ringing “ pipipi pipipi pipipi .....” until the door is closed.

**7. CONVERSION TABLE BETWEEN TEMPERATURE AND RESISTANCE VALUE**

**1) R-thermistor, F-thermistor**

Temperature (°C)	Resistance Value (KΩ)	Temperature (°C)	Resistance Value (KΩ)	Temperature (°C)	Resistance Value (KΩ)
-25	26.1	-9	10.3	7	4.5
-24	24.5	-8	9.8	8	4.3
-23	23.1	-7	9.2	9	4.1
-22	21.7	-6	8.8	10	3.9
-21	20.5	-5	8.3	11	3.7
-20	19.3	-4	7.9	12	3.6
-19	18.2	-3	7.5	13	3.4
-18	17.1	-2	7.1	14	3.2
-17	16.2	-1	6.7	15	3.1
-16	15.3	0	6.4	20	2.5
-15	14.4	1	6.1	25	2.0
-14	13.6	2	5.8	30	1.6
-13	12.9	3	5.5	35	1.3
-12	12.2	4	5.2	40	1.1
-11	11.5	5	5.0		
-10	10.9	6	4.7		

**2) Def-thermistor**

Temperature (°C)	Resistance Value (KΩ)	Temperature (°C)	Resistance Value (KΩ)	Temperature (°C)	Resistance Value (KΩ)
-25	61.2	-9	24.1	7	10.6
-24	57.5	-8	22.9	8	10.1
-23	54.1	-7	21.7	9	9.6
-22	50.9	-6	20.5	10	9.2
-21	47.9	-5	19.5	11	8.7
-20	45.2	-4	18.5	12	8.3
-19	42.6	-3	17.5	13	8.0
-18	40.1	-2	16.6	14	7.6
-17	37.9	-1	15.8	15	7.3
-16	35.7	0	15	20	5.8
-15	33.7	1	14.3	25	4.7
-14	31.9	2	13.6	30	3.8
-13	30.1	3	12.9	35	3.1
-12	28.5	4	12.3	40	2.5
-11	26.9	5	11.7		
-10	25.5	6	11.1		

## [ 9 ] ASSEMBLING PROCEDURES OF MAIN PARTS AND CAUTIONS

**CAUTION: DISCONNECT THE UNIT FROM THE POWER SUPPLY BEFORE ANY REPAIRING.**

### 1. FAN LOUVER AND E.V COVER ASSEMBLY

#### 1-1. How to remove the Fan louver

- 1) Take out 2 screws with screw driver.
- 2) Pull the Fan louver toward yourself to take off.

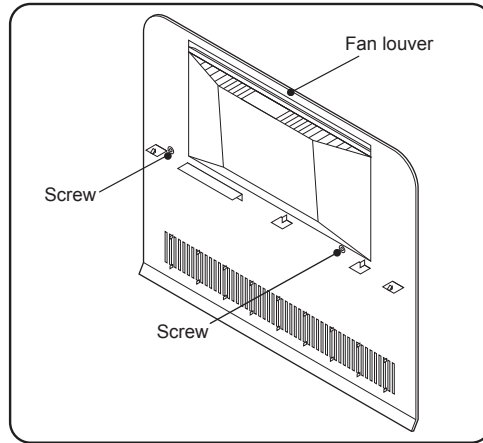


Figure A-1

#### 1-2. E.V cover assembly

- 1) Stick E.V cover sealer c to F fan motor. (Figure A-2)

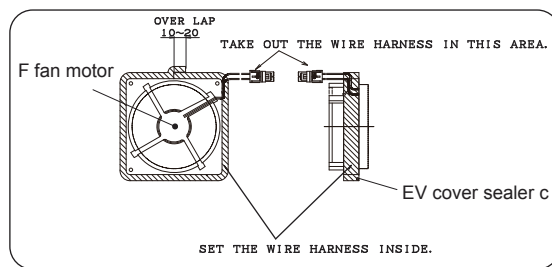


Figure A-2

- 2) Insert terminal F-Thermistor and Def-thermistor in the housing.(Figure A-3)

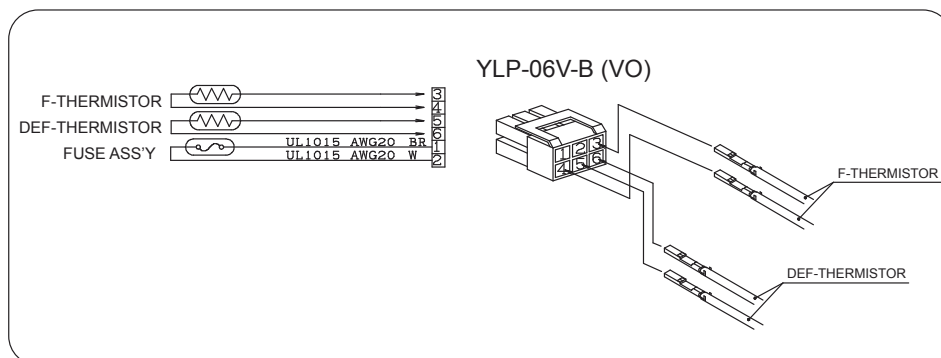


Figure A-3

3) Stick E.V cover sealer a and c to E.V cover. (Figure A-4)

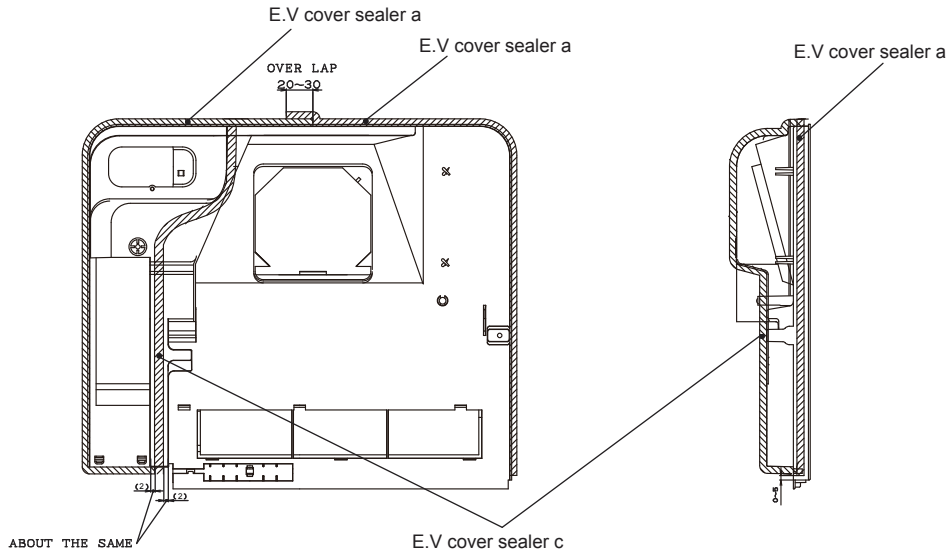


Figure A-4

4) Setting of F-fan motor , F-thermistor , Def-thermistor , Fuse ass'y in the EV cover and stick Al tape. (Figure A-5)

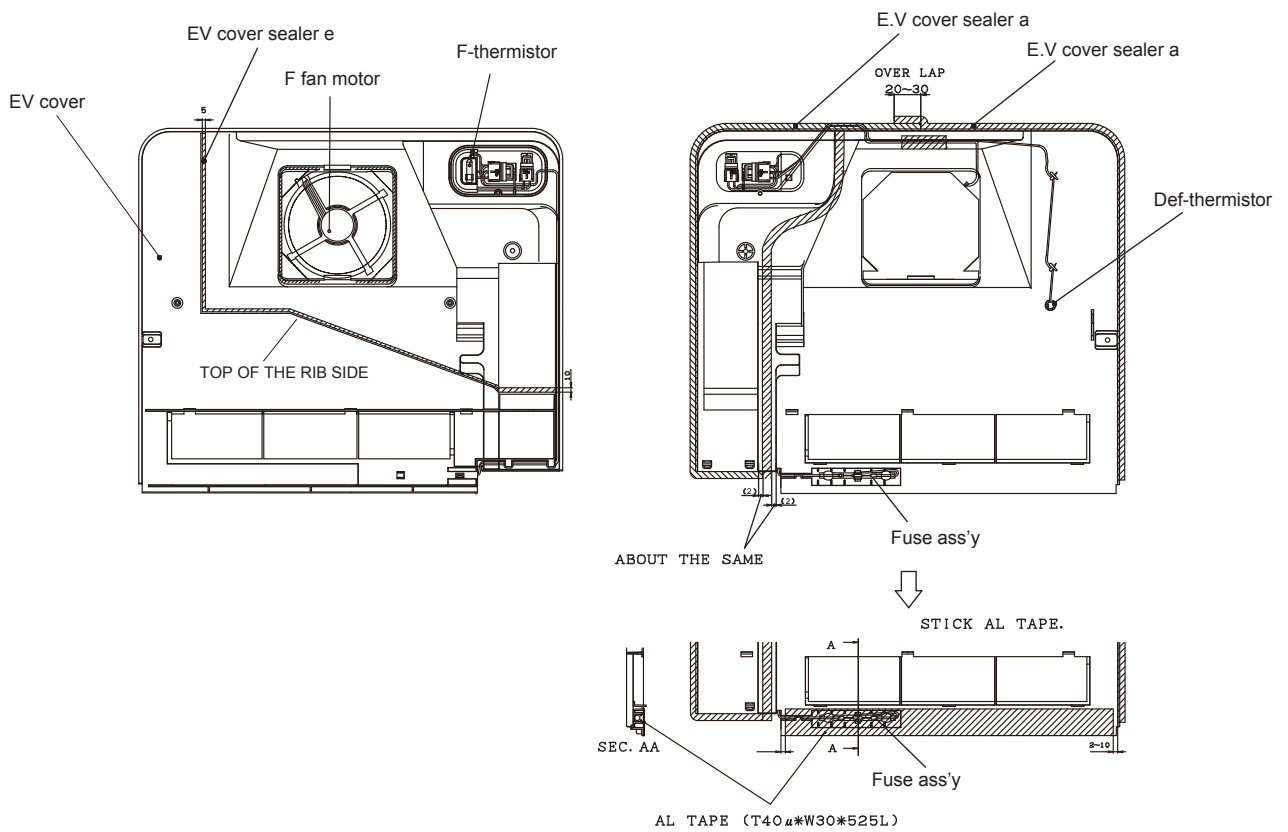


Figure A-5

## 2. R CONTOROL COVER ASSEMBLY

1) Insert Plasma Harness to Plasma Cluster and Fix all to slot of R air guider a.

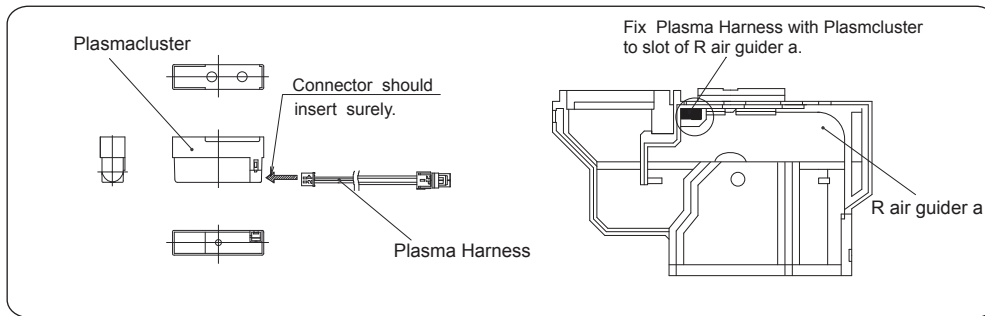


Figure A-6

2) Insert R air guider b to R air guider a. (Figure A-7)

3) Fix 2) ass'y with paper tape. (Figure A-8)

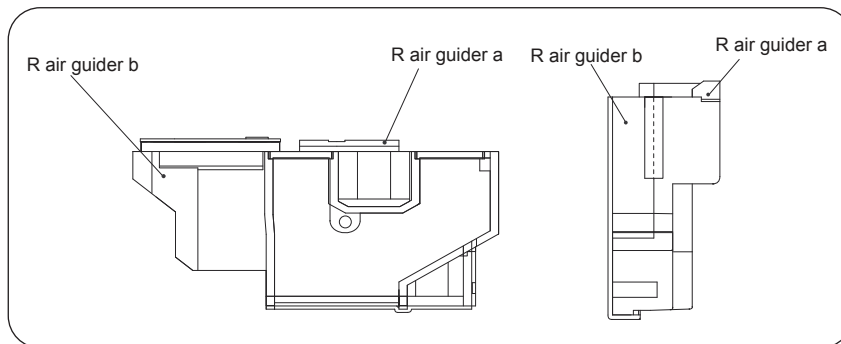


Figure A-7

4) Stick Ra-sealer a to 3) ass'y.

5) Stick Ra-sealer f to 3) ass'y.

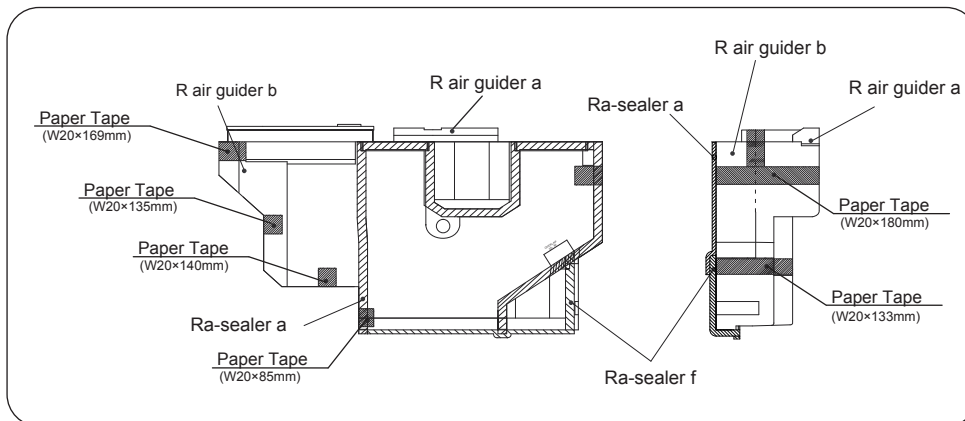


Figure A-8

- 6) Stick A-sealer rc-d to Damper ass'y.
- 7) Insert Damper harness to Damper ass'y. (Figure A-9)

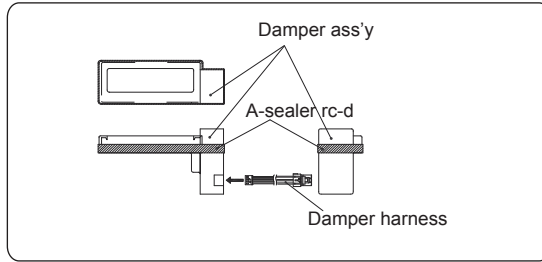


Figure A-9

- 8) Insert 7) ass'y to 5) ass'y.
- 9) Stick A-sealer damper to 7) ass'y.
- 10) Fix 9) ass'y with paper tape.

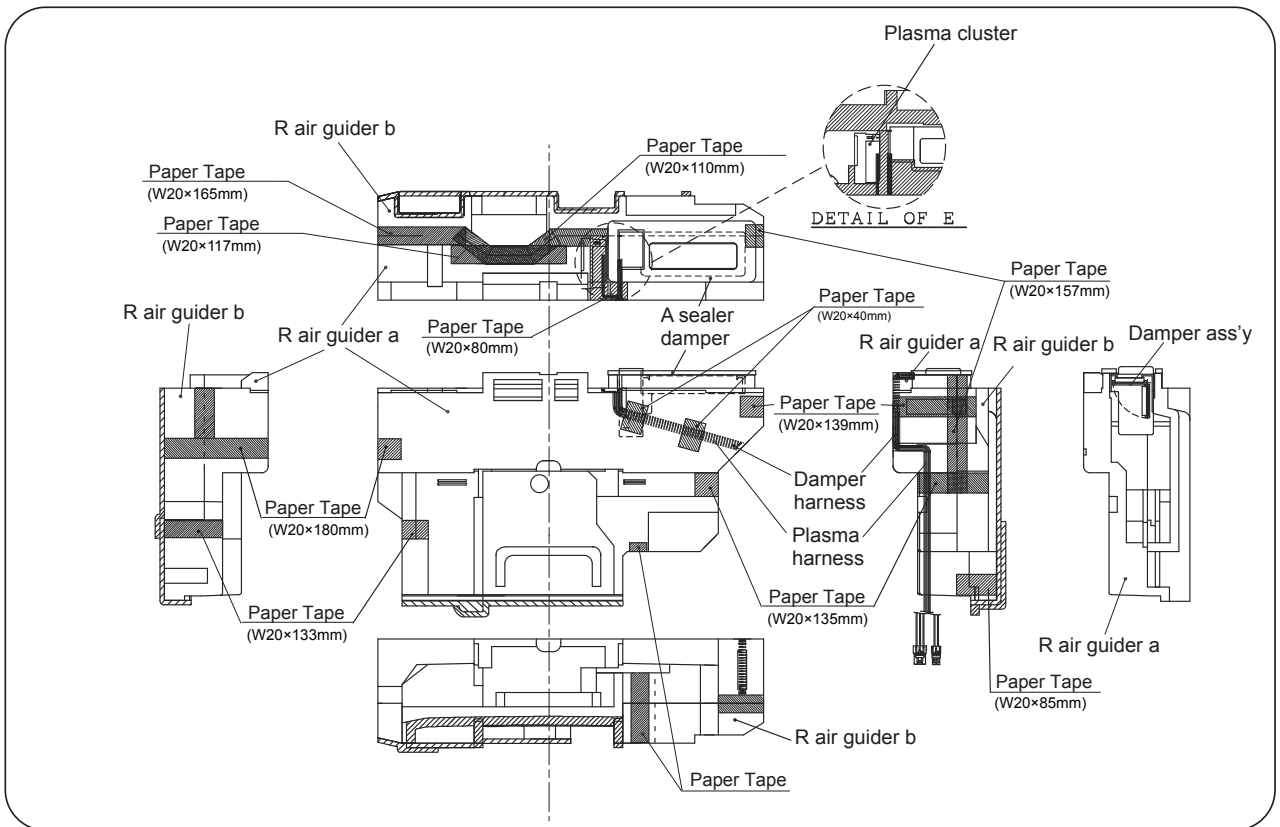


Figure A-10

- 11) Insert Control harness to VR PWB ass'y.
- 12) Fix VR PWB ass'y to R-c box cover.
- 13) Insert Control knob to 12) ass'y.
- 14) Fix 13) ass'y with Waterproof tape.
- 15) Fix 14) ass'y with PWB sheet 55DR.
- 16) Fix Lamp ass'y to R lamp holder.
- 17) Fix 16) ass'y to 2 Screws.
- 18) Insert R-c box al sheet to R-c box cover.  
After putting in two notches hole, bent it 90°.
- 19) Insert Lamp harness to 17) ass'y.
- 20) Fix 19) ass'y to R-c box cover.
- 21) Fix R-thermistor to R-c box cover.

- 22) Stick Warning label to R-c box al sheet.
- 23) Stick Control label to R-c box cover.
- 24) Fix 23) ass'y with paper tape.
- 25) Insert 10) ass'y to 24) ass'y.

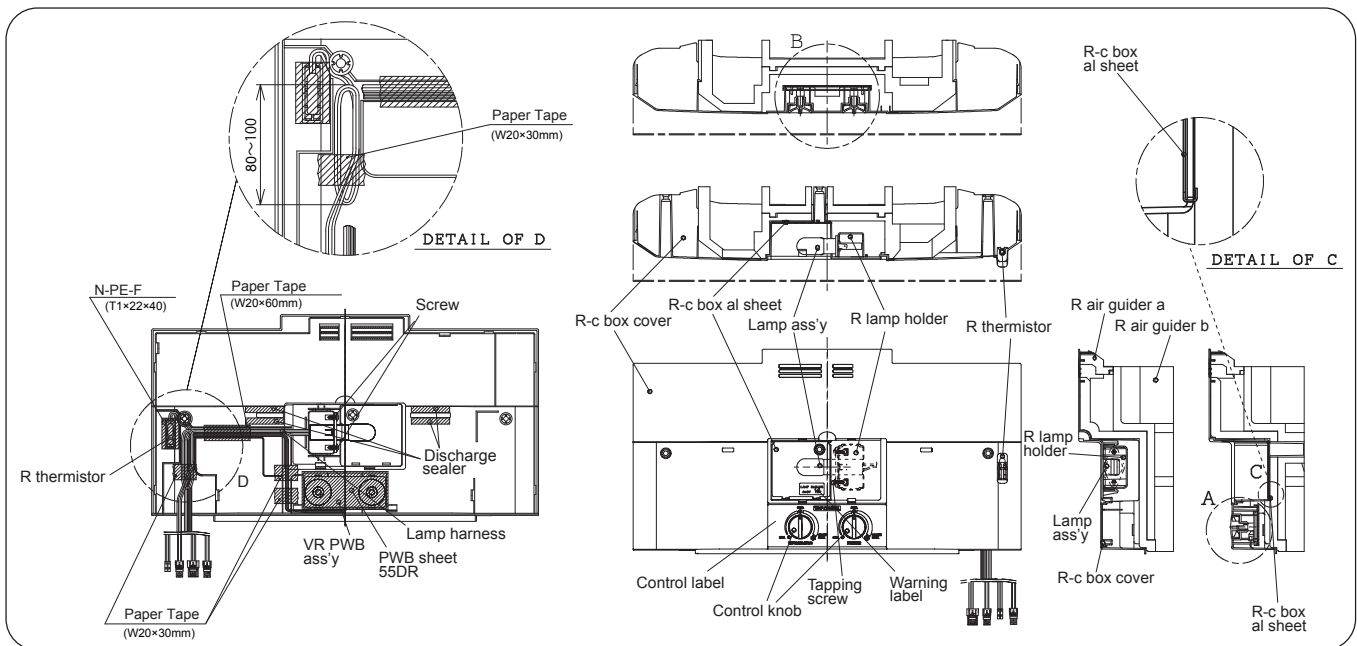
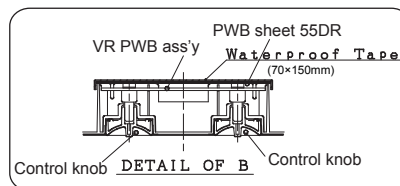
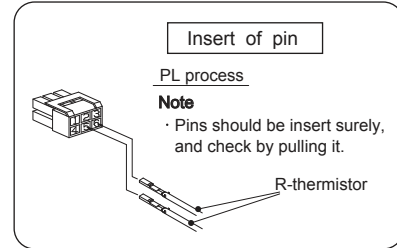


Figure A-11



### 3. R SHOWER DUCT ASSEMBLY

- 1) Insert Deodorizer to R shower duct.
- 2) Fix R-shower ins.a to "1" ass'y. (Figure A-12)

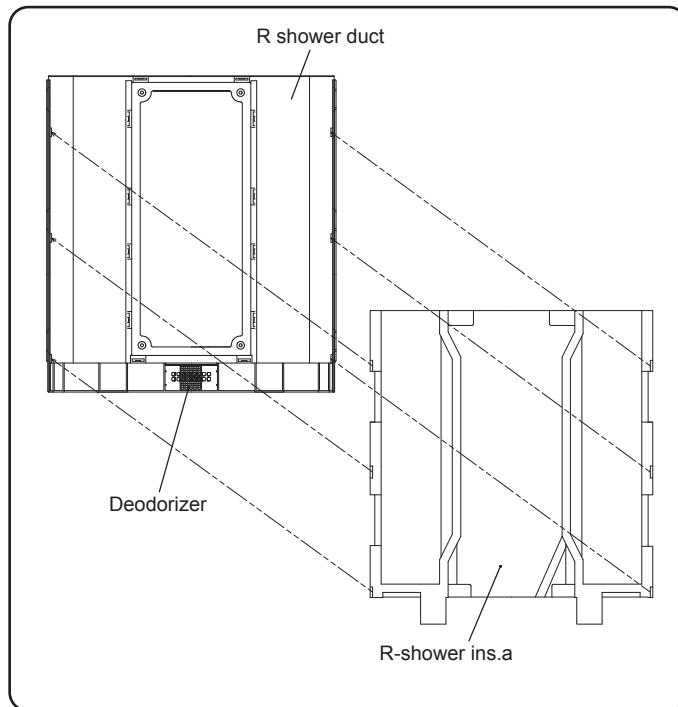


Figure A-12

- 3) Stick A-sealer R-shower-d to "2" ass'y. (Figure A-13)

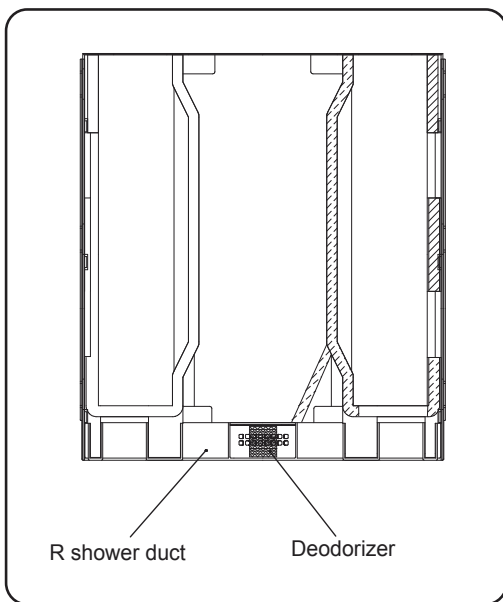


Figure A-13

- 4) Fix AI panel to "3" ass'y. (Figure A-14)

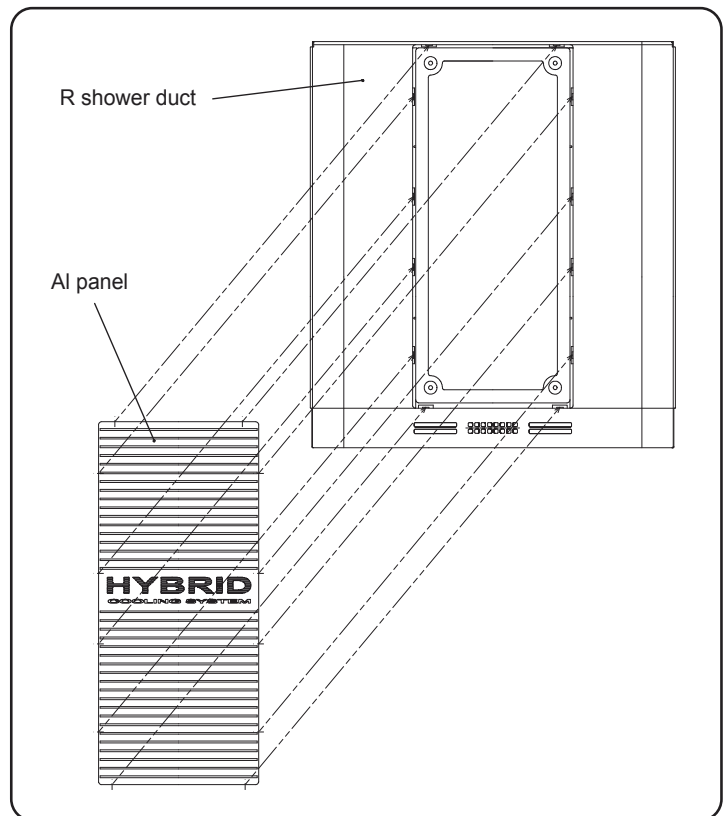


Figure A-14

## 4. DEFROST HEATER ASSEMBLY

### 4-1. Taking-out Evaporator

- 1) Take-out Fan louver.
- 2) Take-out E.V cover ass'y.

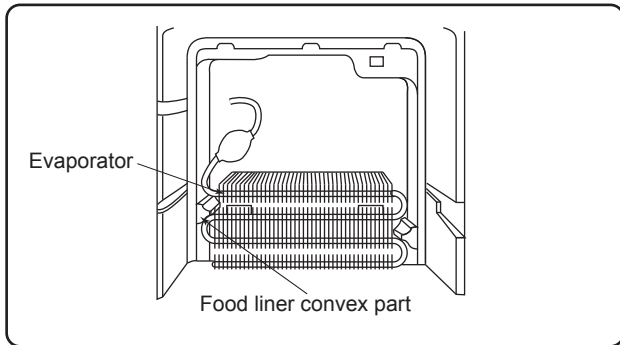


Figure A-15

- 3) As shown in Figure A-16, pull the upper part of Evaporator toward you, pull it diagonally so that the pipe of Evaporator does not contact the convex part of food liner.

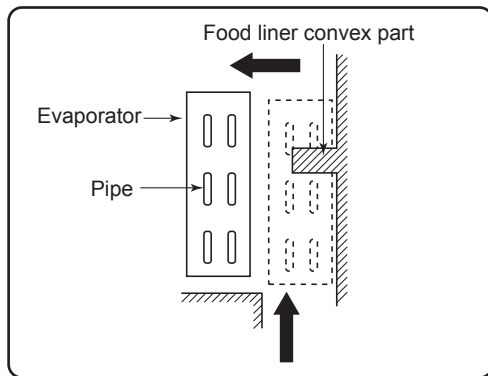


Figure A-16

- 4) Pull the Evaporator for remove as shown in Figure-17.

NOTE: When pulling Evaporator and bending the pipes, pay attention so as not to break and deform the pipes. Still, take care not to hurt yourself by fin of Evaporator.

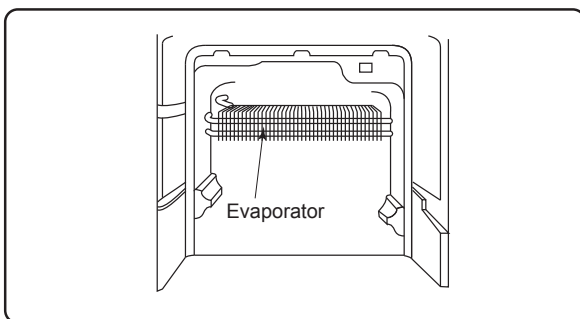


Figure A-17

### 4-2. Replacement of Def. heater ass'y.

- 1) Take off the Drain support al from the food liner.

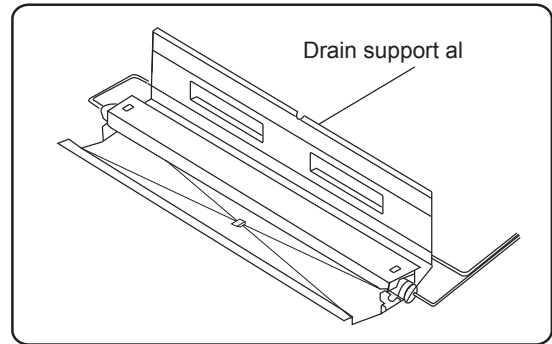


Figure A-18

- 2) Raise the protrusion part of Drain support al. Then remove Heater cover.

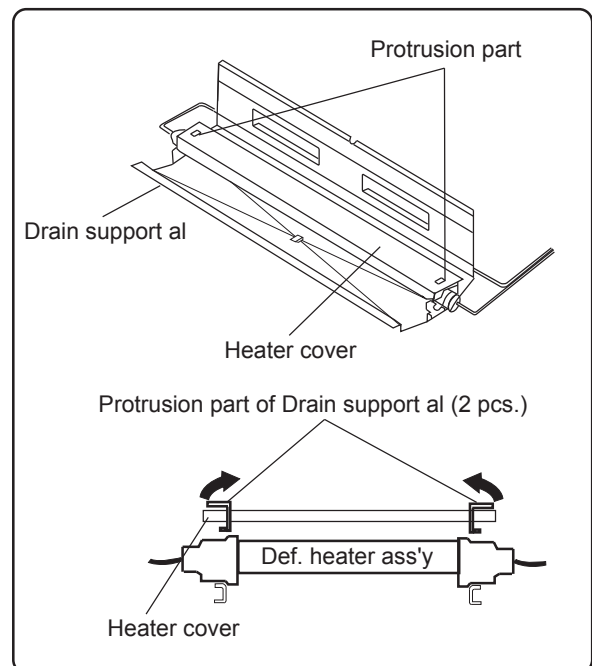


Figure A-19

- 3) Open Def.heater fixed part of Drain support al to the right and left, then remove Def.heater ass'y.

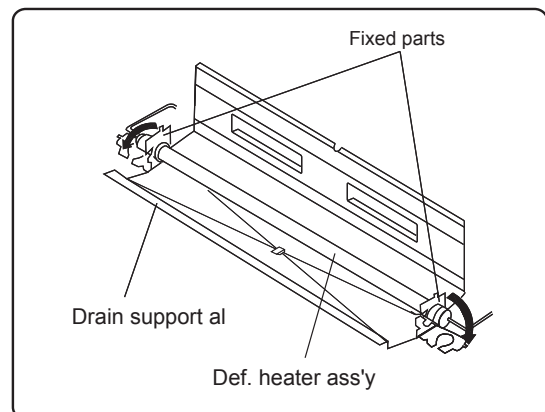


Figure A-20

4) Replace Def. heater ass'y with new one.

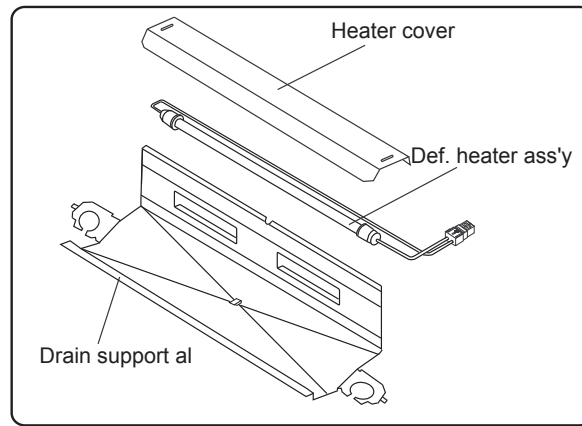


Figure A-21

5) Bend the end of Drain support 90°.

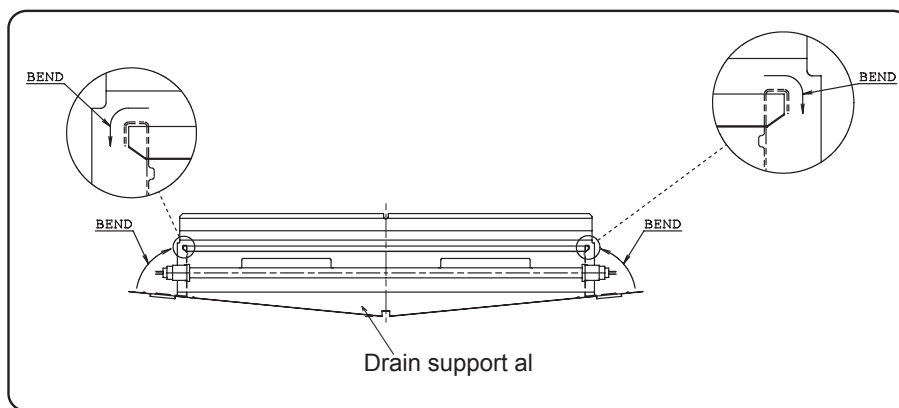


Figure A-22

6) Assemble Defrost heater to Drain support al.

7) Assemble Heater cover to Drain support al. Bend top edge to outside.

8) Stick the Vinyl tape on the Lead wire of Defrost heater ass'y.

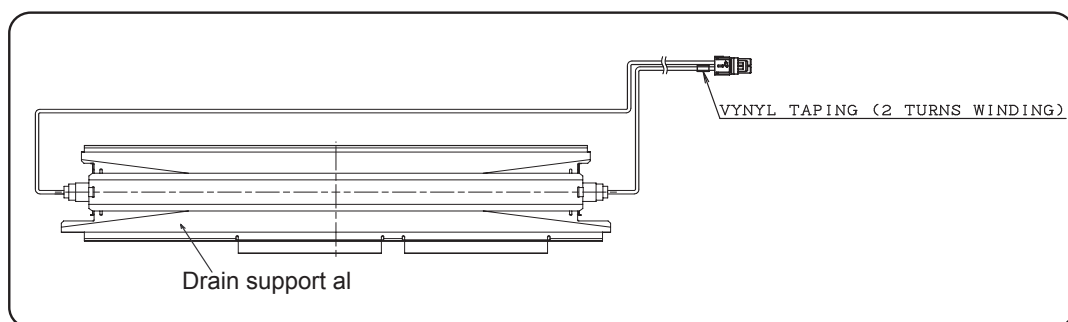


Figure A-23

### 4-3. Installing of Evaporator

1. Install Evaporator as shown in the Figure A-15 in the reverse order of Figure A-16.

2. Correct the defromed fin.

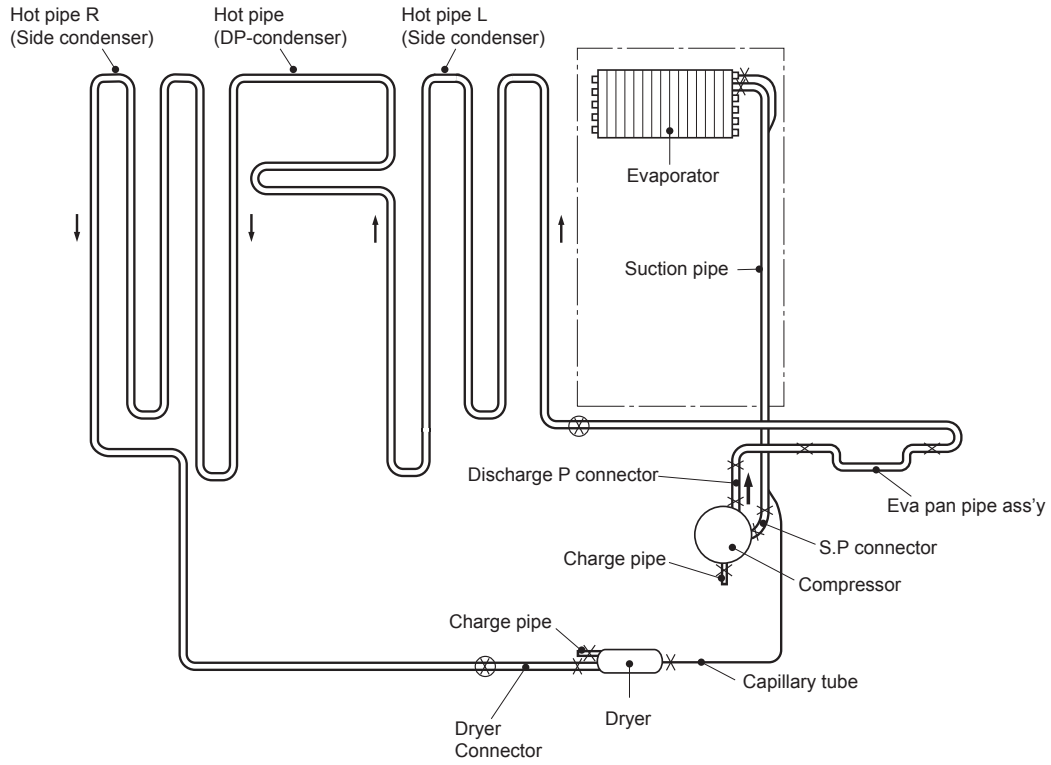
NOTE:

1. When installing Evaporator, take care not to deform significantly and break the pipes.
2. Take care not to damage the lead wires and hurt yourself by the fin of Evaporator.
3. You shouldn't touch Defrost heater with your bare hand. (You should wear pure gloves.)
4. You should wipe that with alcohol. When you touch Defrost heater with your bare hand.

# [10] COOLING UNIT

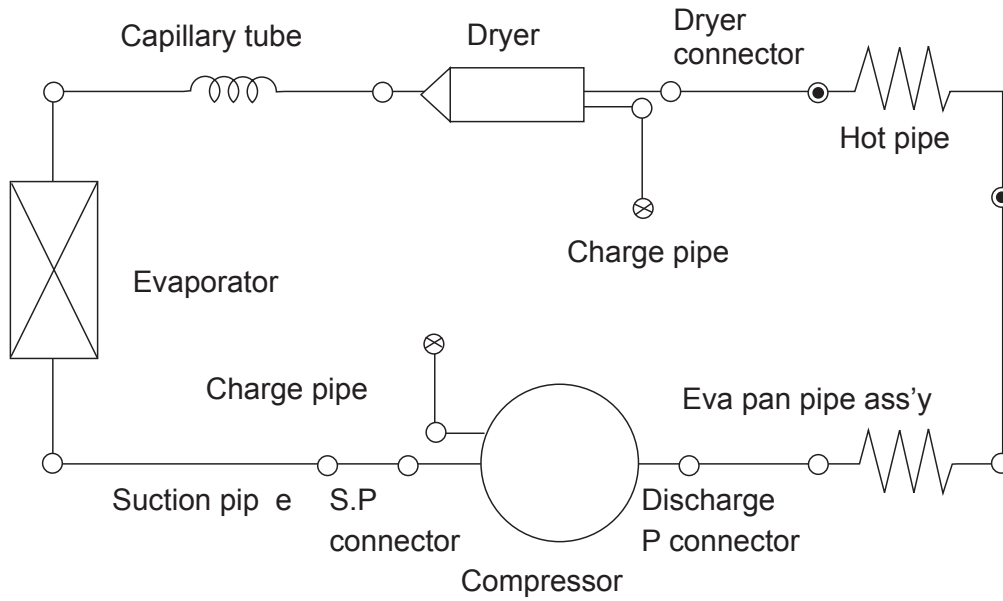
## 1. COOLING UNIT

- ➔ Mark: Refrigerant flow
- ✕ Mark: Brazing portion(copper to copper)
- ⊗ Mark: Brazing portion(steel to copper)



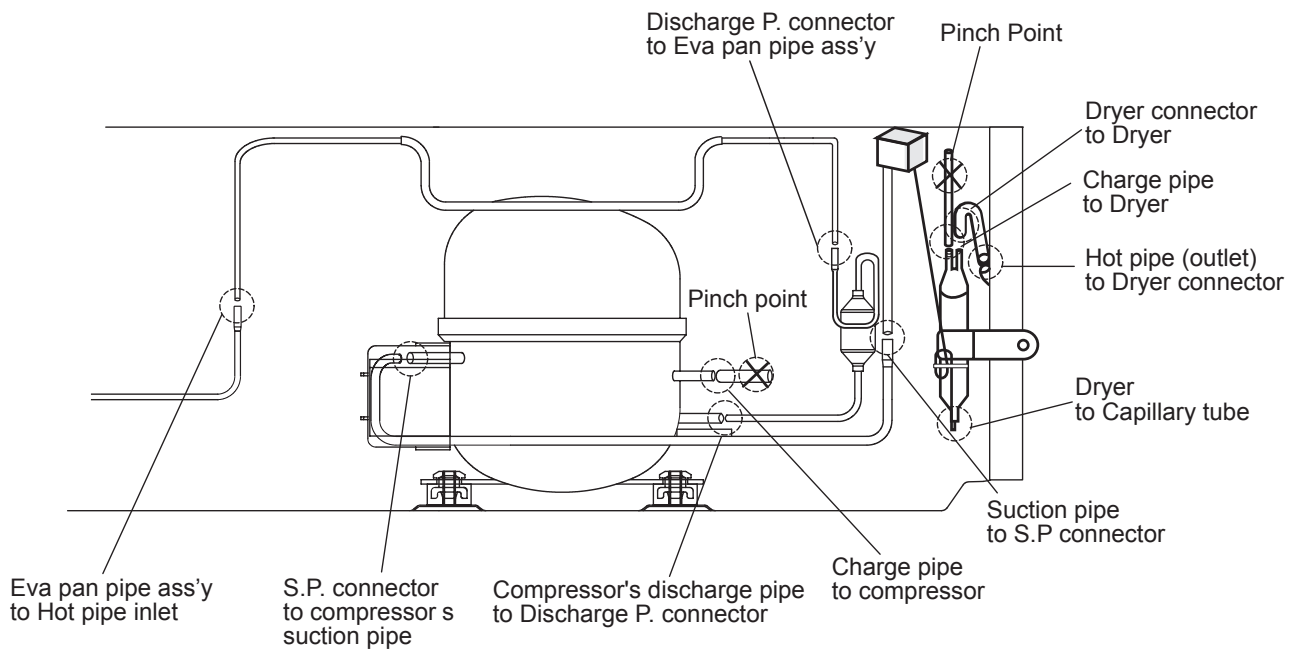
2. LOCATION

1) LOCATION 1

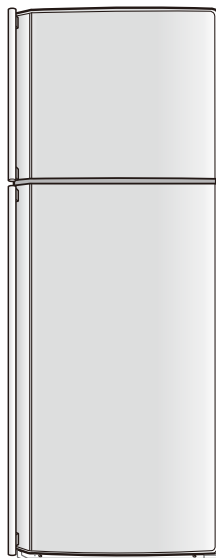


- ⊗ Mark shows pinch points
- Mark shows welding points (copper to copper)
- Mark shows welding points (steel to copper)

2) LOCATION 2



# SHARP PARTS GUIDE



## Refrigerator-freezer MODELS

**SJ-GC440V-BK/SL**

**SJ-GC480V-BK/SL**

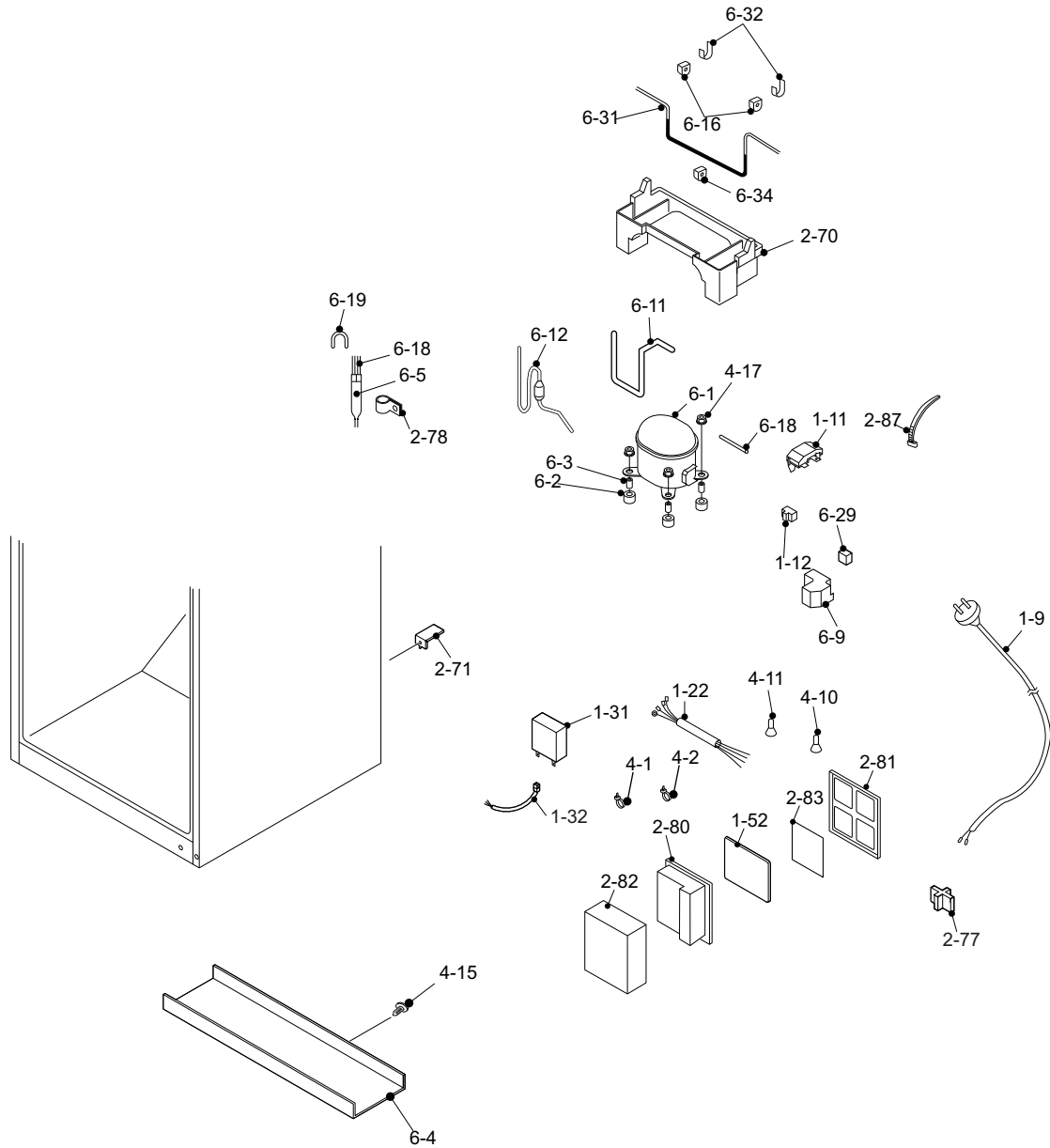
**SJ-SC440V-BE/SL/WH**

**SJ-SC480V-BE/SL/WH**

### CONTENTS

- |                                |                                 |
|--------------------------------|---------------------------------|
| [1] SJ-GC440V CYCLE PARTS      | [11] SJ-SC440V CYCLE PARTS      |
| [2] SJ-GC440V MECHANICAL PARTS | [12] SJ-SC440V MECHANICAL PARTS |
| [3] SJ-GC440V DOOR PARTS       | [13] SJ-SC440V DOOR PARTS       |
| [4] SJ-GC440V ATTACHMENT PARTS | [14] SJ-SC440V ATTACHMENT PARTS |
| [5] SJ-GC440V OTHER PARTS      | [15] SJ-SC440V OTHER PARTS      |
| [6] SJ-GC480V CYCLE PARTS      | [16] SJ-SC480V CYCLE PARTS      |
| [7] SJ-GC480V MECHANICAL PARTS | [17] SJ-SC480V MECHANICAL PARTS |
| [8] SJ-GC480V DOOR PARTS       | [18] SJ-SC480V DOOR PARTS       |
| [9] SJ-GC480V ATTACHMENT PARTS | [19] SJ-SC480V ATTACHMENT PARTS |
| [10] SJ-GC480V OTHER PARTS     | [20] SJ-SC480V OTHER PARTS      |
|                                | ■ INDEX                         |

[1] SJ-GC440V CYCLE PARTS

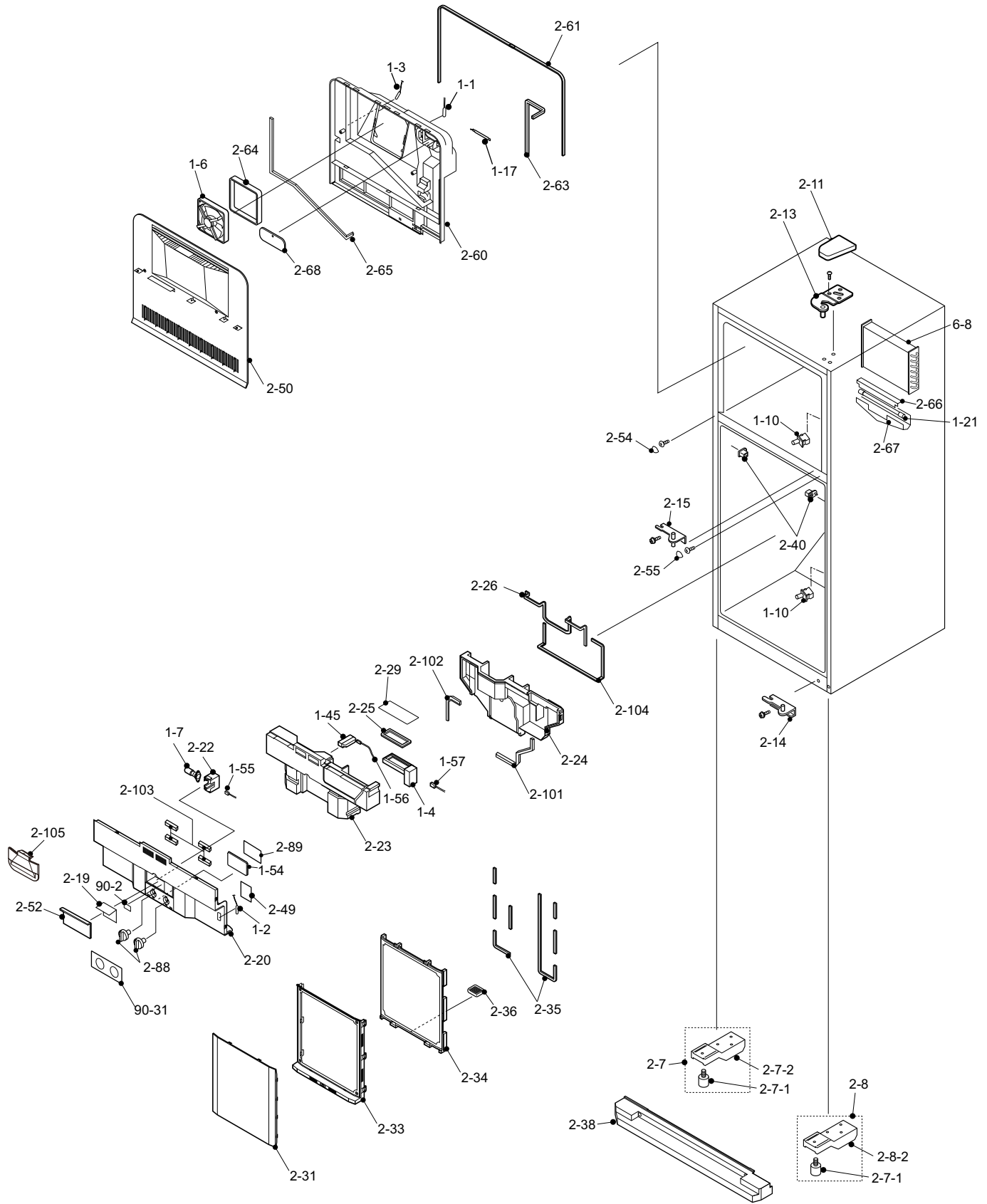


NO.	PARTS CODE	PRICE RANK	NEW MARK	PART RANK	DESCRIPTION
<b>[1] SJ-GC440V CYCLE PARTS</b>					
1-9	QACC-A156CBZZ	AQ			Source cord
1-11	RHOG-A189CBEZ	AZ			Protector
1-12	RSTT-A179CBZZ	AR			Ptc relay
1-22	FCNW-B019CBKZ	AT			Relay cord s ass'y
1-31	RC-EZA254CBZZ	AS			Running capacitor
1-32	QCNW-B021CBZZ	AC			Reray wire rc
1-52	FPWB-A778CBKZ	BW			Main & sub pwb ass'y
2-70	USRA-A318CBFA	AP			Drain pan
2-71	LHLD-A797CBFZ	AE			Ev pan holder
2-77	LHLD-A359CBFA	AE			T-box holder
2-78	LPLTMA399CBP0	AD			Dryer support
2-80	PBOX-A166CBFA	AV			Terminal box
2-81	PCOV-A406CBPZ	AF			Terminal cover
2-82	PCOVMA006CBYZ	AF			Terminal box cover
2-83	PSHEPA086CBZZ	AF			Terminal sheet
2-87	LBND-A018CBE0	AP			Fastening band a
4-1	LBND-A023CBE0	AC			L-band c
4-2	LBND-A019CBE0	AB			Nylon band
4-10	QTAN-A013CBE0	AH			Solderless term. A
4-11	QTAN-A012CBE0	AH			Solderless term. B
4-15	LX-BZA090CBZZ	AC			Special screw
4-17	LX-WZA035CBZZ	AB			Washer
6-1	PCMPLA296CBZZ	BZ			Compressor
6-2	PSPAGA080CBZZ	AK			Rubber grommet

NO.	PARTS CODE	PRICE RANK	NEW MARK	PART RANK	DESCRIPTION
<b>[1] SJ-GC440V CYCLE PARTS</b>					
6-3	PSPAFA047CBEZ	AE			Sleeve
6-4	FFRM-A156CBKZ	AH			Base frame ass'y
6-5	FDRY-A006CBK0	AX			Dryer ass'y
6-9	PCOVPA271CBEZ	AH			Terminal cover
6-11	PPiPCA648CBZZ	AL			S.p connector
6-12	PPiPCA651CBZZ	AL			Discharge connector
6-16	PGUM-A003CBF0	AH			Absorbent rubber b
6-18	PPiPCA517CBZZ	AE			Chrg pipe hc s
6-19	PPiPCA551CBZZ	AF			Drier connector
6-29	LHLD-A465CBE0	AG			Cord clip
6-31	FPiPCA352CBKZ	AQ			Eva pan pipe s ass'y
6-32	LANG-A058CBPZ	AC			Absorbent rubber clm
6-34	PGUM-A034CBFZ	AF			Evapan rubber wp

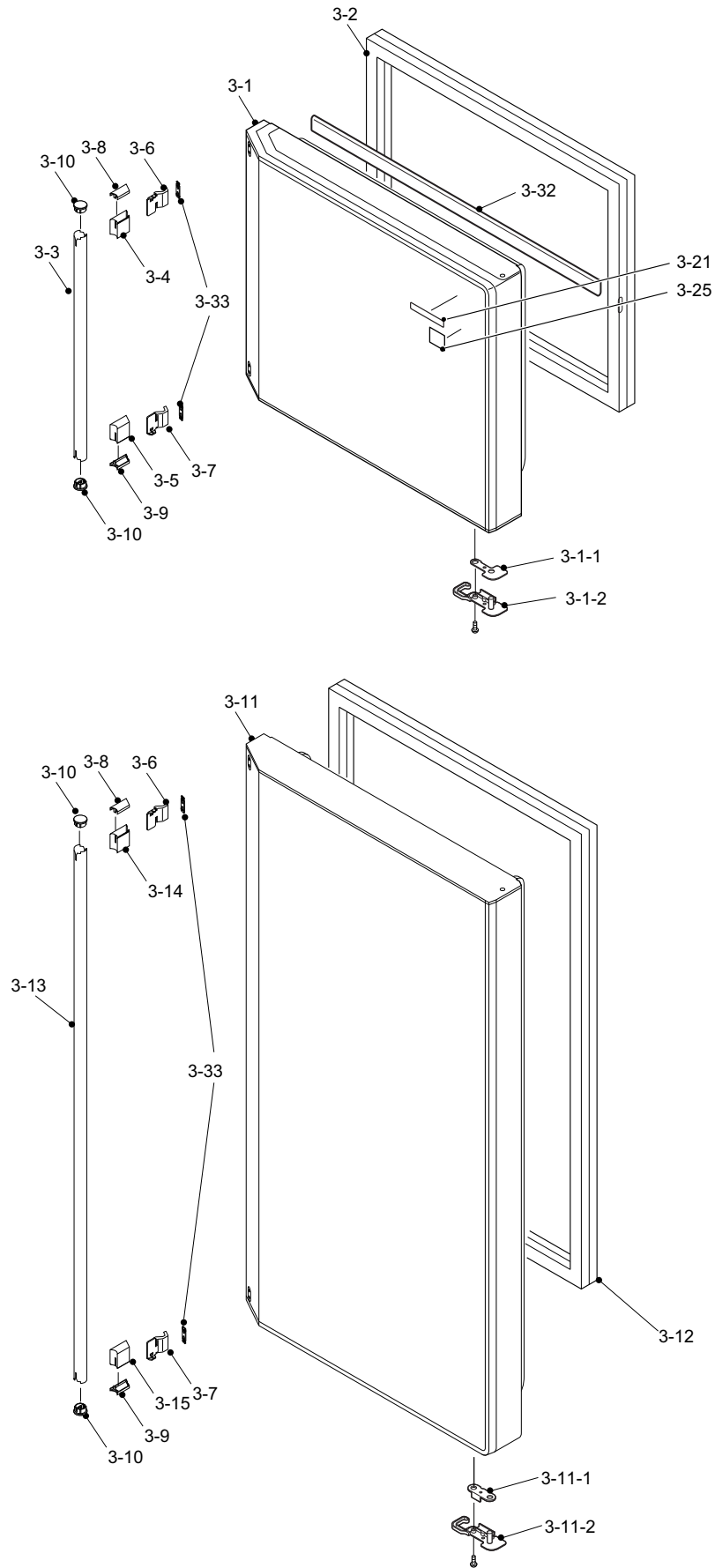


[2] SJ-GC440V MECHANICAL PARTS



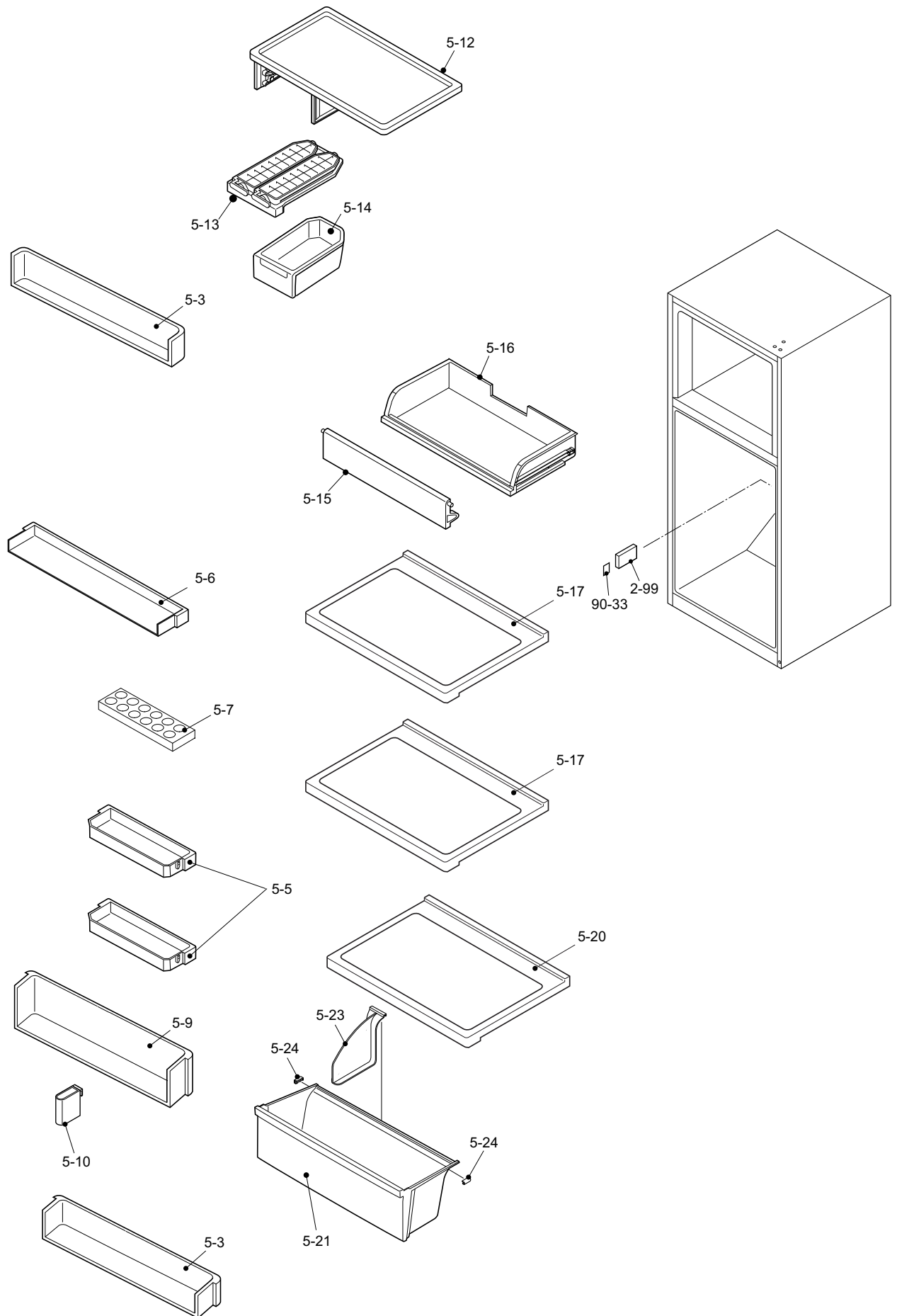
NO.	PARTS CODE	PRICE RANK	NEW MARK	PART RANK	DESCRIPTION
<b>[2] SJ-GC440V MECHANICAL PARTS</b>					
1-1	RH-HXA104CBZZ	AZ			F-thermistor
1-2	RH-HXA103CBZZ	AZ			R-thermistor
1-3	RH-HXA118CBZZ	AT			Def-thermistor
1-4	DTHM-A043CBKZ	AX			Damper ass'y
1-6	RMOTRA096CBZZ	BE			F fan motor
1-7	RLMP-A037CBZZ	AM			Lamp
1-10	QSW-PA097CBZA	AG			Door switch
1-17	FFS-TA104CBKZ	AN			Fuse ass'y
1-21	FHETBA225CBZZ	AT			Def. Heater ass'y
1-45	CKiTTA159AKKZ	AX			Plasmacluster unit
1-54	FPWB-A554CBKZ	AY			Vr pwb ass'y
1-55	QCNW-B270CBZZ	AH			Lamp harness
1-56	QCNW-B257CBZZ	AP			Plasma harness
1-57	QCNW-B258CBZZ	AP			Damper harness
2-7	FLEGPA149CBKZ	AF			Leg holder l ass'y
2-7-1	FAJS-A013CBK0	AE			Adjustable leg ass'y
2-7-2	LHLD-A817CBPZ	AF			Leg holder l
2-8	FLEGPA150CBKZ	AF			Leg holder r ass'y
2-8-2	LHLD-A818CBPZ	AF			Leg holder r
2-11	GCOV-A373CBFA	AH			Upper hinge cover [BK]
2-11	GCOV-A373CBFB	AH			Upper hinge cover [SL]
2-13	DHNG-A801CBMZ	AS			Upper hinge r ass'y
2-14	DHNG-A802CBMZ	AS			Bottom hinge r ass'y
2-15	DHNG-A803CBMZ	AS			Center hinge r ass'y
2-19	LPLTMA854CBPZ	AF			R-cbox al sheet
2-20	GCOVPA246CBFA	AS			R-c box cover
2-22	LHLD-A822CBFZ	AG			R lamp holder
2-23	PGiD-A189CBFZ	AK			R air guider a
2-24	PGiD-A190CBFZ	AH			R air guider b
2-25	PSEL-C669CBZZ	AD			A-sealer rc-d
2-26	PSEL-C955CBZZ	AE			Ra sealer a
2-29	PSEL-C958CBZZ	AH			A-sealer damper
2-31	LPLTMA827CBPZ	AG			Al panel
2-33	MLOV-A071CBFA	AP			R shower duct
2-34	PGiD-A178CBFZ	AH			R-shower ins.a
2-35	PSEL-C983CBZZ	AE			A-sealer r-shower-d
2-36	PFiL-A050CBEZ	AM			Deodorizer
2-38	HGRL-A302CBFA	AR			Base cover [BK]
2-38	HGRL-A302CBFB	AR			Base cover [SL]
2-40	LSTPPA161CBFA	AE			Case stopper
2-49	PSEL-D085CBZZ	AD			R thermistor sealer
2-50	HGRL-A304CBFA	AS			Fan louver
2-52	PCOV-A458CBRB	AK			R lamp cover
2-54	PCAP-A006CBFW	AB			Screw cover
2-55	PCAP-A077CBFA	AA			Screw cover [SL]
2-55	PCAP-A077CBFJ	AH			Screw cover [BK]
2-60	GCOV-A375CBFZ	AP			E.v cover
2-61	PSEL-D017CBZZ	AE			E.v cover sealer a
2-63	PSEL-E421CBZZ	AE			E.v cover sealer c
2-64	PSEL-C601CBZZ	AE			Ev-cov.sealer c
2-65	PSEL-E430CBZZ	AC			E.v cover sealer e
2-66	PSHEMA360CBTZ	AR			Heater cover
2-67	LPLTMA851CBPZ	AH			Drain support
2-68	GCOVPA249CBFB	AP			Ev terminal cover
2-88	JKNB-A085CBFA	AF			Control knob
2-89	LPLTPA490CBZZ	AE			Pwb sheet 55dr
2-101	PSEL-B122CBE0	AB			A-sealer thermo.cap.
2-102	PSEL-E052CBZZ	AE			Ra sealer d
2-103	PSEL-E053CBZZ	AE			Discharge sealer
2-104	PSEL-E063CBZZ	AF			Ra sealer f
2-105	FGRL-A460CBYZ				C air gider ass'y
6-8	PEVA-A183CBZZ	BC			Evaporator
90-2	TLAB-A876CBRZ	AC			Warning label
90-31	HPNLCA084CBRB	AK			Control label

[3] SJ-GC440V DOOR PARTS



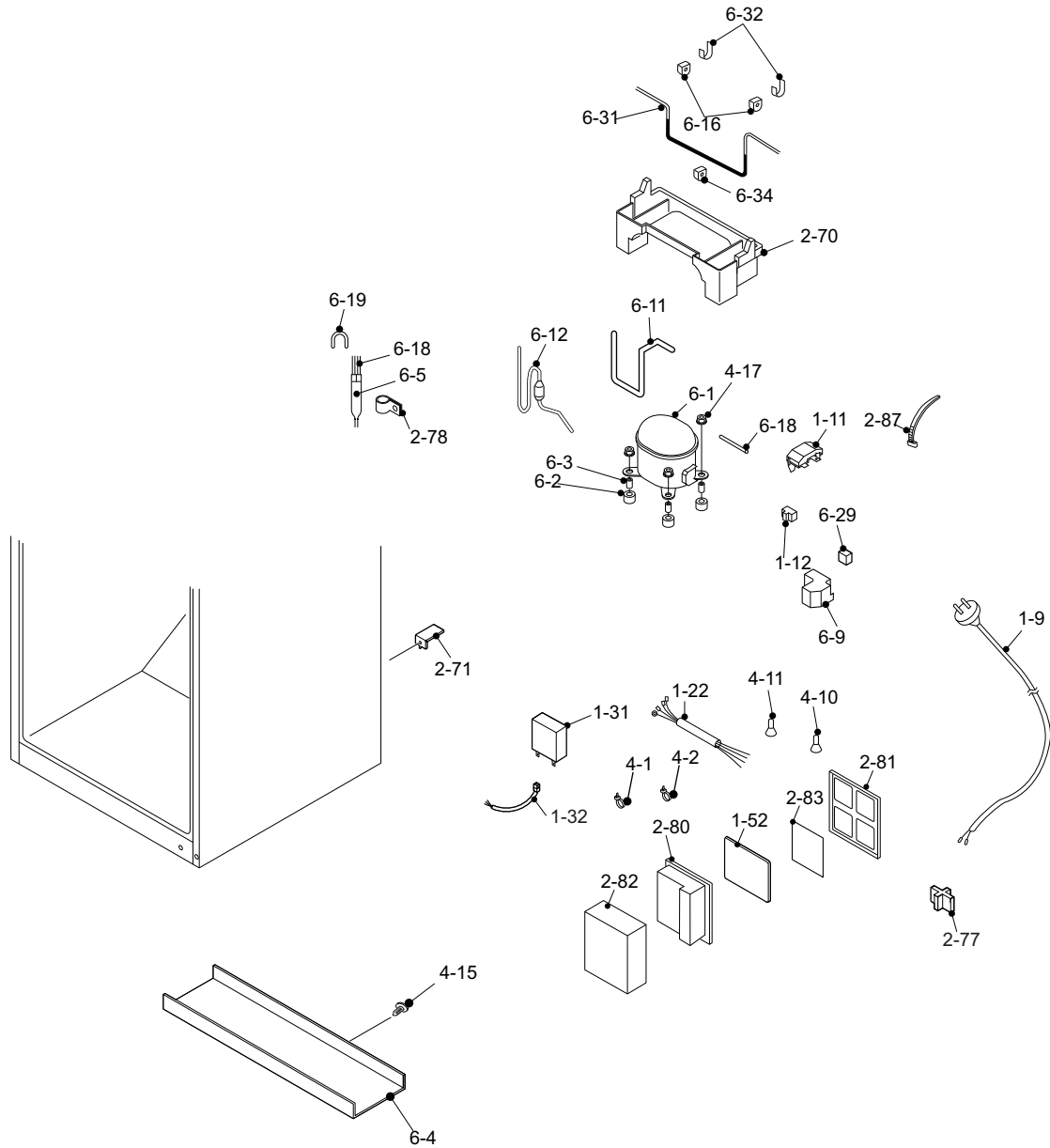
NO.	PARTS CODE	PRICE RANK	NEW MARK	PART RANK	DESCRIPTION
<b>[3] SJ-GC440V DOOR PARTS</b>					
3-1	FDORFC227CBKZ	CA			F-door ass'y [BK]
3-1	FDORFC228CBKZ	CA			F-door ass'y [SL]
3-1-1	LSTPMA028CBMZ	AE			F-door stopper r
3-1-2	LSTPPA158CBFA	AE			Fd-stopper spring r
3-2	FPACGA599CBKZ	AU			F-door packing
3-3	JHNDMA035CBZA	AU			F-handle
3-4	HDECQA648CBTA	AL			Hd base ft/rt [BK]
3-4	HDECQA648CBTB	AL			Hd base ft/rt [SL]
3-5	HDECQA649CBRA	AL			Hd base fb [BK]
3-5	HDECQA649CBRB	AL			Hd base fb [SL]
3-6	LPLTMB003CBPZ	AN			Handle stay t
3-7	LPLTMB004CBPZ	AN			Handle stay b
3-8	GCAP-B154CBTA	AK			Hd cover top [BK]
3-8	GCAP-B154CBTB	AK			Hd cover top [SL]
3-9	GCAP-B155CBTA	AK			Hd cover bottom [BK]
3-9	GCAP-B155CBTB	AK			Hd cover bottom [SL]
3-10	GCAP-B168CBJA	AL			Hd cap
3-11	FDORRC420CBKZ	CD			R-door ass'y [BK]
3-11	FDORRC421CBKZ	CD			R-door ass'y [SL]
3-11-1	LSTP-A064CBMZ	AE			R-door stopper r
3-11-2	LSTPPA184CBFA	AH			Rd-stopper spring r
3-12	FPACGA601CBKZ	AV			R-door packing
3-13	JHNDMA037CBZA	AZ			R-handle
3-14	HDECQA650CBRA	AL			Hd base rt [BK]
3-14	HDECQA650CBRB	AL			Hd base rt [SL]
3-15	HDECQA651CBTA	AL			Hd base fb/rb [BK]
3-15	HDECQA651CBTB	AL			Hd base fb/rb [SL]
3-21	HBDGDB043CBJB	AN			Badge
3-25	HBDGDB062CBEA	AH			Pc badge ew s40
3-32	PBARPA035CBEA	AL			Freezer bar
3-33	PSPAVA099CBFZ	AC			Hd spacer

[4] SJ-GC440V ATTACHMENT PARTS



NO.	PARTS CODE	PRICE RANK	NEW MARK	PART RANK	DESCRIPTION
<b>[4] SJ-GC440V ATTACHMENT PARTS</b>					
2-99	FPLTPA152CBKZ	AN			Temp.meter ass'y
5-3	UPOKPA318CBFB	AM			Rf door pocket
5-5	UPOKPA319CBFB	AK			Utility pocket
5-6	UPOKPA320CBFB	AM			R door pocket
5-7	UTNA-A282CBFC	AF			Egg tray
5-9	UPOKPA321CBFB	AQ			Bottle pocket
5-10	UPOKPA251CBFE	AG			Tube stand
5-12	UTNA-A461CBFB	AX			F shelf
5-13	FSRA-A275CBYZ	AR			Ice cube maker
5-14	UYOK-A579CBFB	AN			Ice storage box
5-15	GDORPA088CBFB	AN			Fresh door
5-16	UYOK-A585CBFB	AX			Fresh case
5-17	FTNA-A596CBKZ	BG			R glass shelf ass'y
5-20	FTNA-A595CBKZ	BG			V glass shelf ass'y
5-21	UYOK-A586CBFB	BA			Vegetable case
5-23	GGAD-A038CBFC	AM			V parting plate
5-24	PCAP-A068CBFA	AC			C sliding cap a
90-33	TLAB-B220CBRZ	AE			Temp.caution label
<b>[5] SJ-GC440V OTHER PARTS</b>					
90-1	TINS-B191CBRZ	AS			Operation manual
90-3	SPAKCA629CBZZ	BB			Packing case 35cs
90-6	CPADBA186CBKZ	BF			Bottom pad ass'y
90-7	CPADBA185CBKZ	AV			Top pad ass'y
90-15	TLAB-A811CBR0	AF			4-star label
90-21	TLAB-B396CBRZ	AG			Caution label rof-hc
90-29	TLAB-B290CBRZ	AF			N mark label
90-40	SPADBA384CBFZ	AM			Corner post bl
90-41	SPADBA385CBFZ	AN			Corner post br
90-42	SPADBA684CBFZ	AF			Side post l
90-43	SPADBA685CBFZ	AF			Side post r
90-45	SPADBA628CBZZ	AK			Top sheet
90-46	SPADBA440CBZZ	AK			V-tray support
90-47	SPADBA627CBFZ	AM			F door protect sheet
90-49	SPADBA686CBFZ	AX			Cab protect sheet f
90-50	SSAKHA015CBZZ	AF			Base poly cover
90-51	SSAKHA050CBZZ				Poly cover

[6] SJ-GC480V CYCLE PARTS



NO.	PARTS CODE	PRICE RANK	NEW MARK	PART RANK	DESCRIPTION
<b>[6] SJ-GC480V CYCLE PARTS</b>					
1-9	QACC-A156CBZZ	AQ			Source cord
1-11	RHOG-A189CBEZ	AZ			Protector
1-12	RSTT-A179CBZZ	AR			Ptc relay
1-22	FCNW-B019CBKZ	AT			Relay cord s ass'y
1-31	RC-EZA254CBZZ	AS			Running capacitor
1-32	QCNW-B021CBZZ	AC			Reray wire rc
1-52	FPWB-A778CBKZ	BW			Main & sub pwb ass'y
2-70	USRA-A318CBFA	AP			Drain pan
2-71	LHLD-A797CBFZ	AE			Ev pan holder
2-77	LHLD-A359CBFA	AE			T-box holder
2-78	LPLTMA399CBP0	AD			Dryer support
2-80	PBOX-A166CBFA	AV			Terminal box
2-81	PCOV-A406CBPZ	AF			Terminal cover
2-82	PCOVMA006CBYZ	AF			Terminal box cover
2-83	PSHEPA086CBZZ	AF			Terminal sheet
2-87	LBND-A018CBE0	AP			Fastening band a
4-1	LBND-A023CBE0	AC			L-band c
4-2	LBND-A019CBE0	AB			Nylon band
4-10	QTAN-A013CBE0	AH			Solderless term. A
4-11	QTAN-A012CBE0	AH			Solderless term. B
4-15	LX-BZA090CBZZ	AC			Special screw
4-17	LX-WZA035CBZZ	AB			Washer
6-1	PCMPLA296CBZZ	BZ			Compressor
6-2	PSPAGA080CBZZ	AK			Rubber grommet

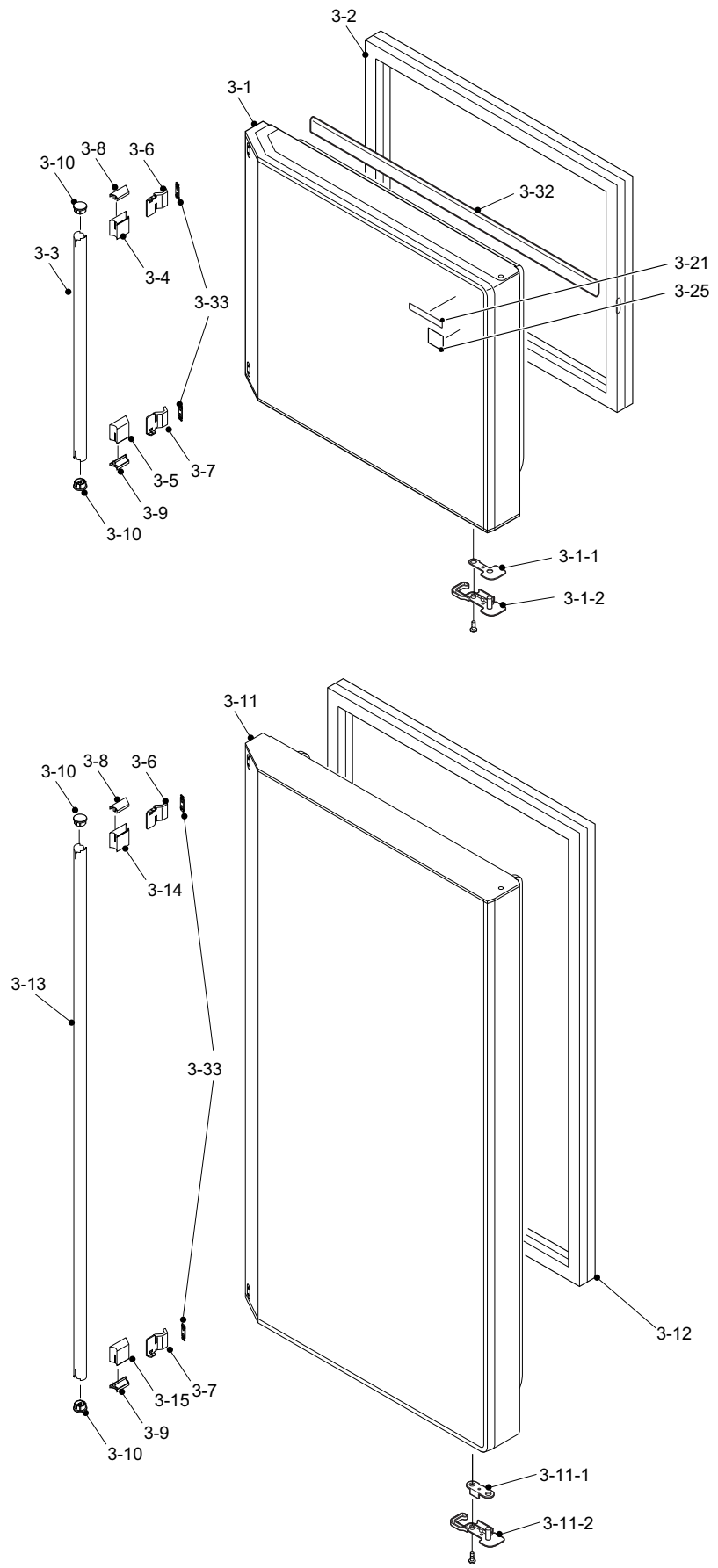
NO.	PARTS CODE	PRICE RANK	NEW MARK	PART RANK	DESCRIPTION
<b>[6] SJ-GC480V CYCLE PARTS</b>					
6-3	PSPAFA047CBEZ	AE			Sleeve
6-4	FFRM-A156CBKZ	AH			Base frame ass'y
6-5	FDRY-A006CBK0	AX			Dryer ass'y
6-9	PCOVPA271CBEZ	AH			Terminal cover
6-11	PPiPCA648CBZZ	AL			S.p connector
6-12	PPiPCA651CBZZ	AL			Discharge connector
6-16	PGUM-A003CBF0	AH			Absorbent rubber b
6-18	PPiPCA517CBZZ	AE			Chrg pipe hc s
6-19	PPiPCA551CBZZ	AF			Drier connector
6-29	LHLD-A465CBE0	AG			Cord clip
6-31	FPiPCA352CBKZ	AQ			Eva pan pipe s ass'y
6-32	LANG-A058CBPZ	AC			Absorbent rubber clm
6-34	PGUM-A034CBFZ	AF			Evapan rubber wp





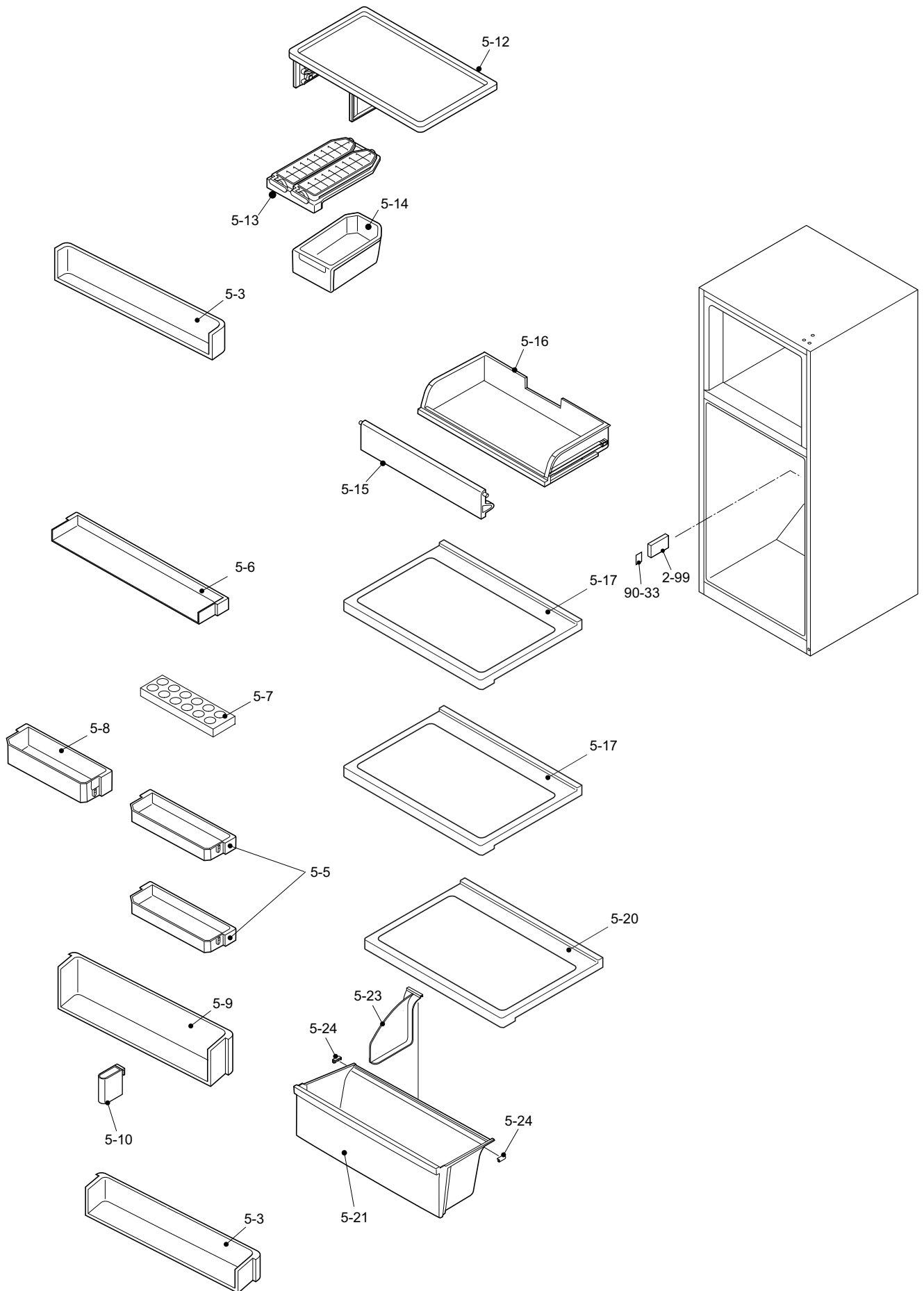
NO.	PARTS CODE	PRICE RANK	NEW MARK	PART RANK	DESCRIPTION
<b>[7] SJ-GC480V MECHANICAL PARTS</b>					
1-1	RH-HXA104CBZZ	AZ			F-thermistor
1-2	RH-HXA103CBZZ	AZ			R-thermistor
1-3	RH-HXA118CBZZ	AT			Def-thermistor
1-4	DTHM-A043CBKZ	AX			Damper ass'y
1-6	RMOTRA096CBZZ	BE			F fan motor
1-7	RLMP-A037CBZZ	AM			Lamp
1-10	QSW-PA097CBZA	AG			Door switch
1-17	FFS-TA104CBKZ	AN			Fuse ass'y
1-21	FHETBA225CBZZ	AT			Def. Heater ass'y
1-45	CKiTTA159AKKZ	AX			Plasmacluster unit
1-54	FPWB-A554CBKZ	AY			Vr pwb ass'y
1-55	QCNW-B270CBZZ	AH			Lamp harness
1-56	QCNW-B257CBZZ	AP			Plasma harness
1-57	QCNW-B258CBZZ	AP			Damper harness
2-7	FLEGPA149CBKZ	AF			Leg holder l ass'y
2-7-1	FAJS-A013CBK0	AE			Adjustable leg ass'y
2-7-2	LHLD-A817CBPZ	AF			Leg holder l
2-8	FLEGPA150CBKZ	AF			Leg holder r ass'y
2-8-2	LHLD-A818CBPZ	AF			Leg holder r
2-11	GCOV-A373CBFA	AH			Upper hinge cover [BK]
2-11	GCOV-A373CBFB	AH			Upper hinge cover [SL]
2-13	DHNG-A801CBMZ	AS			Upper hinge r ass'y
2-14	DHNG-A802CBMZ	AS			Bottom hinge r ass'y
2-15	DHNG-A803CBMZ	AS			Center hinge r ass'y
2-19	LPLTMA854CBPZ	AF			R-cbox al sheet
2-20	GCOVPA246CBFA	AS			R-c box cover
2-22	LHLD-A822CBFZ	AG			R lamp holder
2-23	PGiD-A189CBFZ	AK			R air guider a
2-24	PGiD-A190CBFZ	AH			R air guider b
2-25	PSEL-C669CBZZ	AD			A-sealer rc-d
2-26	PSEL-C955CBZZ	AE			Ra sealer a
2-29	PSEL-C958CBZZ	AH			A-sealer damper
2-31	LPLTMA827CBPZ	AG			Al panel
2-33	MLOV-A071CBFA	AP			R shower duct
2-34	PGiD-A178CBFZ	AH			R-shower ins.a
2-35	PSEL-C983CBZZ	AE			A-sealer r-shower-d
2-36	PFiL-A050CBEZ	AM			Deodorizer
2-38	HGRL-A302CBFA	AR			Base cover [BK]
2-38	HGRL-A302CBFB	AR			Base cover [SL]
2-40	LSTPPA161CBFA	AE			Case stopper
2-49	PSEL-D085CBZZ	AD			R thermistor sealer
2-50	HGRL-A304CBFA	AS			Fan louver
2-52	PCOV-A458CBRB	AK			R lamp cover
2-54	PCAP-A006CBFW	AB			Screw cover
2-55	PCAP-A077CBFA	AA			Screw cover [SL]
2-55	PCAP-A077CBFJ	AH			Screw cover [BK]
2-60	GCOV-A375CBFZ	AP			E.v cover
2-61	PSEL-D017CBZZ	AE			E.v cover sealer a
2-63	PSEL-E421CBZZ	AE			E.v cover sealer c
2-64	PSEL-C601CBZZ	AE			Ev-cov.sealer c
2-65	PSEL-E430CBZZ	AC			E.v cover sealer e
2-66	PSHEMA360CBTZ	AR			Heater cover
2-67	LPLTMA851CBPZ	AH			Drain support
2-68	GCOVPA249CBFB	AP			Ev terminal cover
2-88	JKNB-A085CBFA	AF			Control knob
2-89	LPLTPA490CBZZ	AE			Pwb sheet 55dr
2-101	PSEL-B122CBE0	AB			A-sealer thermo.cap.
2-102	PSEL-E052CBZZ	AE			Ra sealer d
2-103	PSEL-E053CBZZ	AE			Discharge sealer
2-104	PSEL-E063CBZZ	AF			Ra sealer f
2-105	FGRL-A460CBYZ				C air gider ass'y
6-8	PEVA-A183CBZZ	BC			Evaporator
90-2	TLAB-A876CBRZ	AC			Warning label
90-31	HPNLCA084CBRB	AK			Control label

[8] SJ-GC480V DOOR PARTS



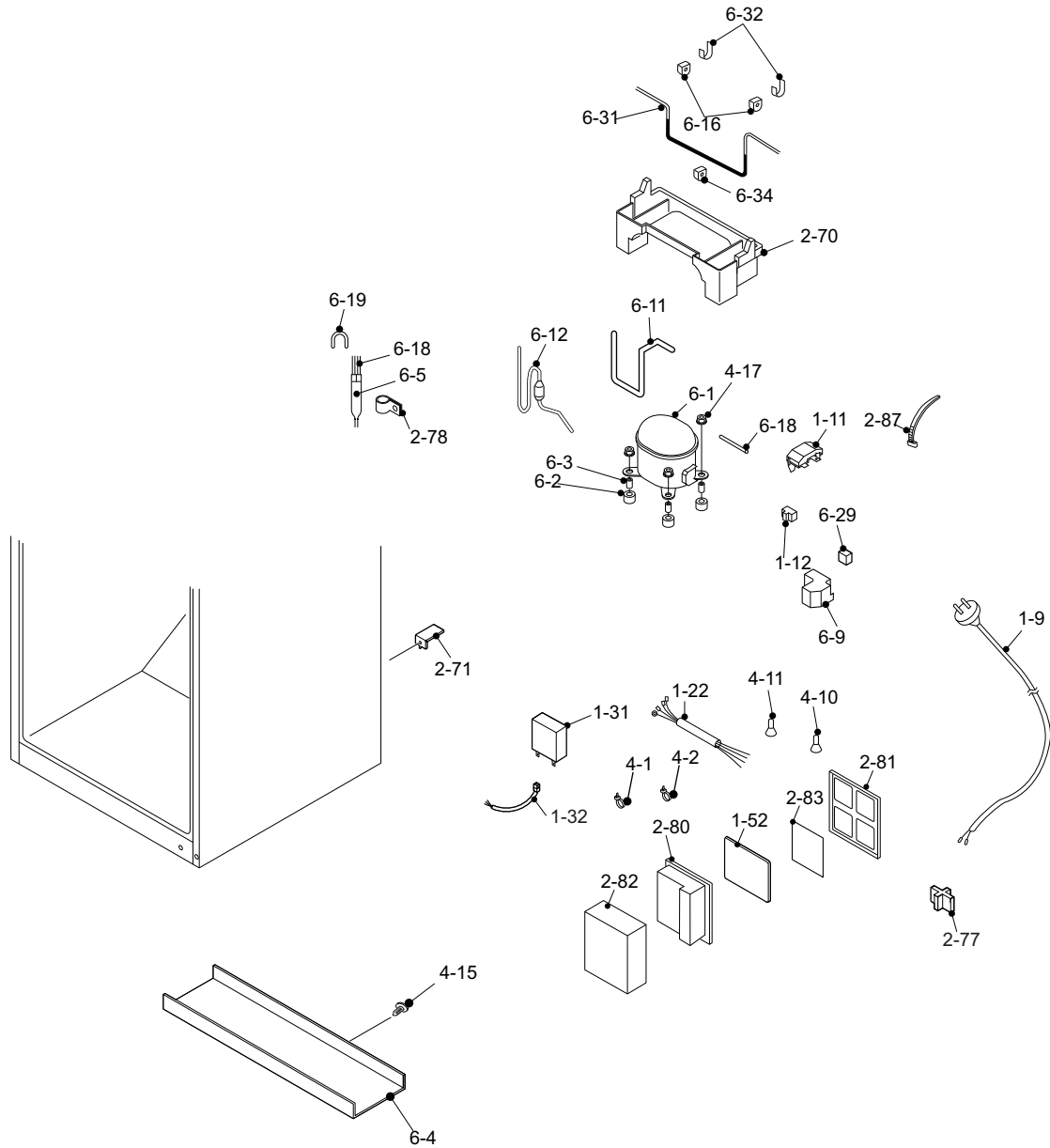
NO.	PARTS CODE	PRICE RANK	NEW MARK	PART RANK	DESCRIPTION
<b>[8] SJ-GC480V DOOR PARTS</b>					
3-1	FDORFC227CBKZ	CA			F-door ass'y [BK]
3-1	FDORFC228CBKZ	CA			F-door ass'y [SL]
3-1-1	LSTPMA028CBMZ	AE			F-door stopper r
3-1-2	LSTPPA158CBFA	AE			Fd-stopper spring r
3-2	FPACGA599CBKZ	AU			F-door packing
3-3	JHNDMA035CBZA	AU			F-handle
3-4	HDECQA648CBTA	AL			Hd base ft/rt [BK]
3-4	HDECQA648CBTB	AL			Hd base ft/rt [SL]
3-5	HDECQA649CBRA	AL			Hd base fb [BK]
3-5	HDECQA649CBRB	AL			Hd base fb [SL]
3-6	LPLTMB003CBPZ	AN			Handle stay t
3-7	LPLTMB004CBPZ	AN			Handle stay b
3-8	GCAP-B154CBTA	AK			Hd cover top [BK]
3-8	GCAP-B154CBTB	AK			Hd cover top [SL]
3-9	GCAP-B155CBTA	AK			Hd cover bottom [BK]
3-9	GCAP-B155CBTB	AK			Hd cover bottom [SL]
3-10	GCAP-B168CBJA	AL			Hd cap
3-11	FDORRC414CBKZ	CE			R-door ass'y [BK]
3-11	FDORRC415CBKZ	CE			R-door ass'y [SL]
3-11-1	LSTP-A064CBMZ	AE			R-door stopper r
3-11-2	LSTPPA184CBFA	AH			Rd-stopper spring r
3-12	FPACGA600CBKZ	AV			R-door packing
3-13	JHNDMA036CBZA	AZ			R-handle
3-14	HDECQA650CBRA	AL			Hd base rt [BK]
3-14	HDECQA650CBRB	AL			Hd base rt [SL]
3-15	HDECQA651CBTA	AL			Hd base fb/rb [BK]
3-15	HDECQA651CBTB	AL			Hd base fb/rb [SL]
3-21	HBDGDB043CBJB	AN			Badge
3-25	HBDGDB062CBEA	AH			Pc badge ew s40
3-32	PBARPA035CBEA	AL			Freezer bar
3-33	PSPAVA099CBFZ	AC			Hd spacer

[9] SJ-GC480V ATTACHMENT PARTS



NO.	PARTS CODE	PRICE RANK	NEW MARK	PART RANK	DESCRIPTION
<b>[9] SJ-GC480V ATTACHMENT PARTS</b>					
2-99	FPLTPA152CBKZ	AN			Temp.meter ass'y
5-3	UPOKPA318CBFB	AM			Rf door pocket
5-5	UPOKPA319CBFB	AK			Utility pocket
5-6	UPOKPA320CBFB	AM			R door pocket
5-7	UTNA-A282CBFC	AF			Egg tray
5-8	UPOKPA322CBFB	AM			Utility pocket l
5-9	UPOKPA321CBFB	AQ			Bottle pocket
5-10	UPOKPA251CBFE	AG			Tube stand
5-12	UTNA-A461CBFB	AX			F shelf
5-13	FSRA-A275CBYZ	AR			Ice cube maker
5-14	UYOK-A579CBFB	AN			Ice storage box
5-15	GDORPA088CBFB	AN			Fresh door
5-16	UYOK-A585CBFB	AX			Fresh case
5-17	FTNA-A596CBKZ	BG			R glass shelf ass'y
5-20	FTNA-A595CBKZ	BG			V glass shelf ass'y
5-21	UYOK-A586CBFB	BA			Vegetable case
5-23	GGAD-A038CBFC	AM			V parting plate
5-24	PCAP-A068CBFA	AC			C sliding cap a
90-33	TLAB-B220CBRZ	AE			Temp.caution label
<b>[10] SJ-GC480V OTHER PARTS</b>					
90-1	TINS-B191CBRZ	AS			Operation manual
90-3	SPAKCA628CBZZ	BB			Packing case 39cs
90-6	CPADBA186CBKZ	BF			Bottom pad ass'y
90-7	CPADBA185CBKZ	AV			Top pad ass'y
90-15	TLAB-A811CBR0	AF			4-star label
90-21	TLAB-B396CBRZ	AG			Caution label rof-hc
90-29	TLAB-B290CBRZ	AF			N mark label
90-40	SPADBA384CBFZ	AM			Corner post bl
90-41	SPADBA385CBFZ	AN			Corner post br
90-42	SPADBA684CBFZ	AF			Side post l
90-43	SPADBA685CBFZ	AF			Side post r
90-45	SPADBA628CBZZ	AK			Top sheet
90-46	SPADBA440CBZZ	AK			V-tray support
90-47	SPADBA627CBFZ	AM			F door protect sheet
90-49	SPADBA686CBFZ	AX			Cab protect sheet f
90-50	SSAKHA015CBZZ	AF			Base poly cover
90-51	SSAKHA051CBZZ				Poly cover

[11] SJ-SC440V CYCLE PARTS



NO.	PARTS CODE	PRICE RANK	NEW MARK	PART RANK	DESCRIPTION
<b>[11] SJ-SC440V CYCLE PARTS</b>					
1-9	QACC-A156CBZZ	AQ			Source cord
1-11	RHOG-A189CBEZ	AZ			Protector
1-12	RSTT-A179CBZZ	AR			Ptc relay
1-22	FCNW-B019CBKZ	AT			Relay cord s ass'y
1-31	RC-EZA254CBZZ	AS			Running capacitor
1-32	QCNW-B021CBZZ	AC			Reray wire rc
1-52	FPWB-A778CBKZ	BW			Main & sub pwb ass'y
2-70	USRA-A318CBFA	AP			Drain pan
2-71	LHLD-A797CBFZ	AE			Ev pan holder
2-77	LHLD-A359CBFA	AE			T-box holder
2-78	LPLTMA399CBP0	AD			Dryer support
2-80	PBOX-A166CBFA	AV			Terminal box
2-81	PCOV-A406CBPZ	AF			Terminal cover
2-82	PCOVMA006CBYZ	AF			Terminal box cover
2-83	PSHEPA086CBZZ	AF			Terminal sheet
2-87	LBND-A018CBE0	AP			Fastening band a
4-1	LBND-A023CBE0	AC			L-band c
4-2	LBND-A019CBE0	AB			Nylon band
4-10	QTAN-A013CBE0	AH			Solderless term. A
4-11	QTAN-A012CBE0	AH			Solderless term. B
4-15	LX-BZA090CBZZ	AC			Special screw
4-17	LX-WZA035CBZZ	AB			Washer
6-1	PCMPLA296CBZZ	BZ			Compressor
6-2	PSPAGA080CBZZ	AK			Rubber grommet

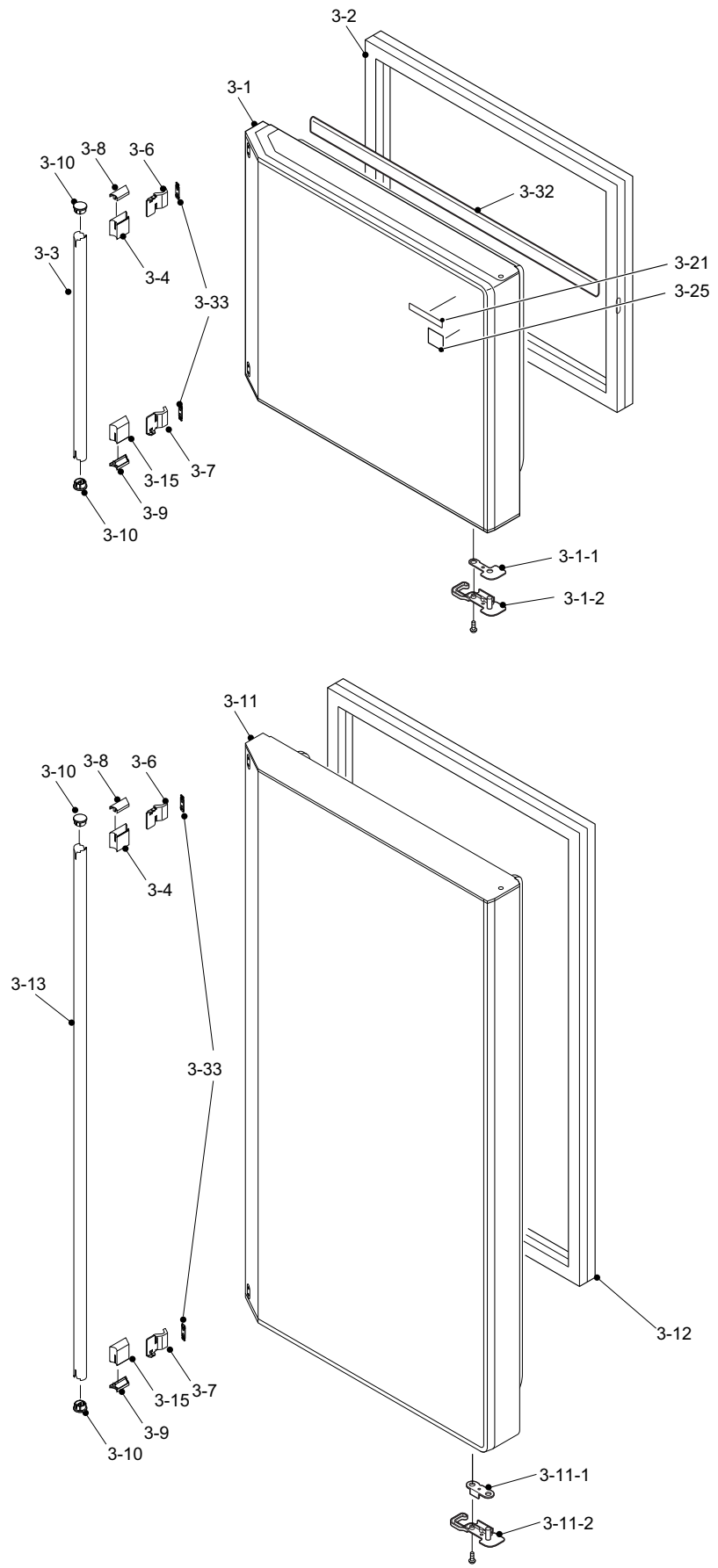
NO.	PARTS CODE	PRICE RANK	NEW MARK	PART RANK	DESCRIPTION
<b>[11] SJ-SC440V CYCLE PARTS</b>					
6-3	PSPAFA047CBEZ	AE			Sleeve
6-4	FFRM-A156CBKZ	AH			Base frame ass'y
6-5	FDRY-A006CBK0	AX			Dryer ass'y
6-9	PCOVPA271CBEZ	AH			Terminal cover
6-11	PPiPCA648CBZZ	AL			S.p connector
6-12	PPiPCA651CBZZ	AL			Discharge connector
6-16	PGUM-A003CBF0	AH			Absorbent rubber b
6-18	PPiPCA517CBZZ	AE			Chrg pipe hc s
6-19	PPiPCA551CBZZ	AF			Drier connector
6-29	LHLD-A465CBE0	AG			Cord clip
6-31	FPiPCA352CBKZ	AQ			Eva pan pipe s ass'y
6-32	LANG-A058CBPZ	AC			Absorbent rubber clm
6-34	PGUM-A034CBFZ	AF			Evapan rubber wp





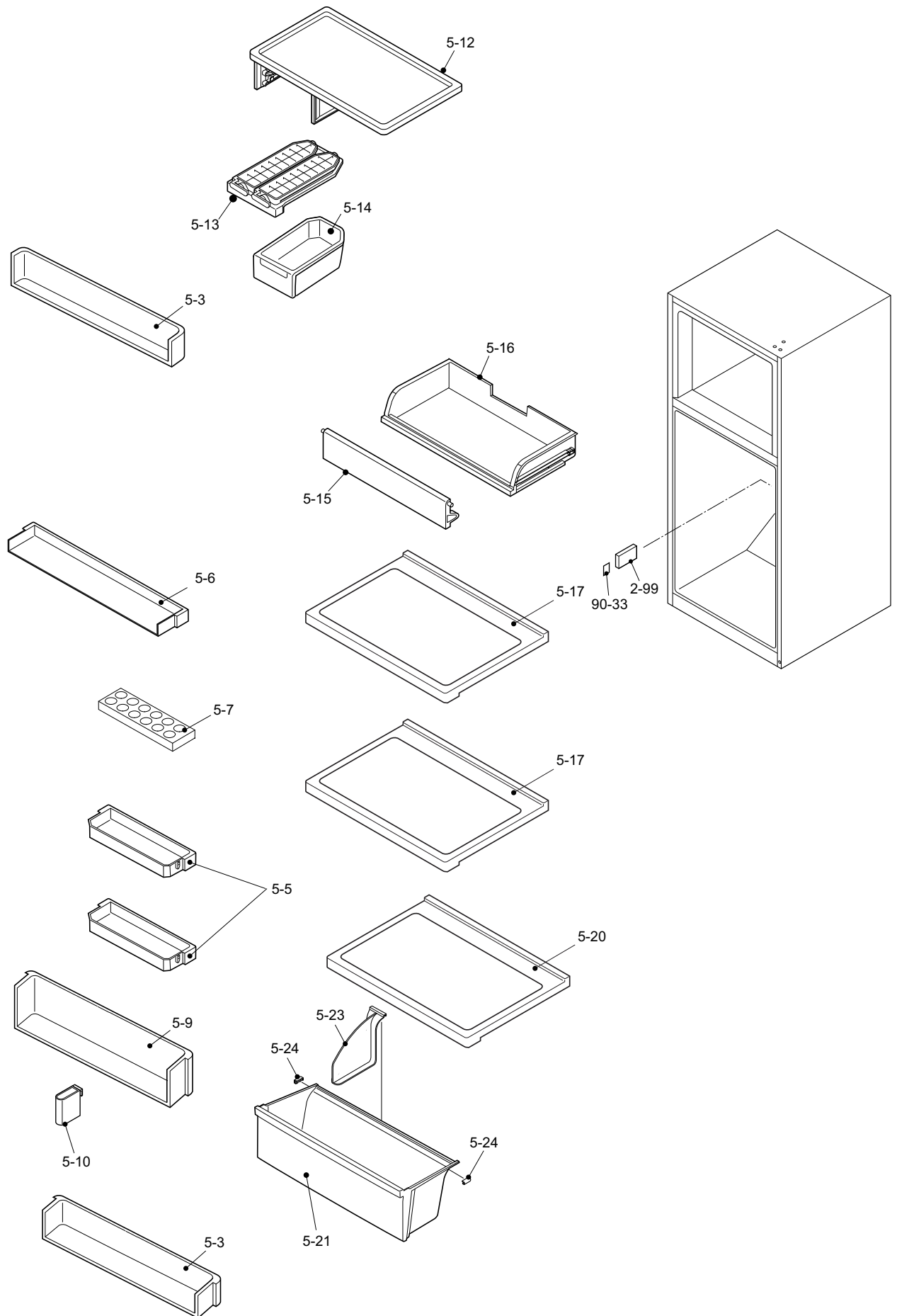
NO.	PARTS CODE	PRICE RANK	NEW MARK	PART RANK	DESCRIPTION
<b>[12] SJ-SC440V MECHANICAL PARTS</b>					
1-1	RH-HXA104CBZZ	AZ			F-thermistor
1-2	RH-HXA103CBZZ	AZ			R-thermistor
1-3	RH-HXA118CBZZ	AT			Def.thermistor
1-4	DTHM-A043CBKZ	AX			Damper ass'y
1-6	RMOTRA096CBZZ	BE			F fan motor
1-7	RLMP-A037CBZZ	AM			Lamp
1-10	QSW-PA097CBZA	AG			Door switch
1-17	FFS-TA104CBKZ	AN			Fuse ass'y
1-21	FHETBA225CBZZ	AT			Def. Heater ass'y
1-45	CKiTTA159AKKZ	AX			Plasmacluster unit
1-54	FPWB-A554CBKZ	AY			Vr pwb ass'y
1-55	QCNW-B270CBZZ	AH			Lamp harness
1-56	QCNW-B257CBZZ	AP			Plasma harness
1-57	QCNW-B258CBZZ	AP			Damper harness
2-7	FLEGPA149CBKZ	AF			Leg holder l ass'y
2-7-1	FAJS-A013CBK0	AE			Adjustable leg ass'y
2-7-2	LHLD-A817CBPZ	AF			Leg holder l
2-8	FLEGPA150CBKZ	AF			Leg holder r ass'y
2-8-2	LHLD-A818CBPZ	AF			Leg holder r
2-11	GCOV-A373CBFC	AH			Upper hinge cover [SL]
2-11	GCOV-A373CBFE	AH			Upper hinge cover [WH]
2-11	GCOV-A373CBFF	AH			Upper hinge cover [BE]
2-13	DHNG-A801CBMZ	AS			Upper hinge r ass'y
2-14	DHNG-A802CBMZ	AS			Bottom hinge r ass'y
2-15	DHNG-A803CBMZ	AS			Center hinge r ass'y
2-19	LPLTMA854CBPZ	AF			R-cbox al sheet
2-20	GCOVPA246CBFA	AS			R-c box cover
2-22	LHLD-A822CBFZ	AG			R lamp holder
2-23	PGiD-A189CBFZ	AK			R air guider a
2-24	PGiD-A190CBFZ	AH			R air guider b
2-25	PSEL-C669CBZZ	AD			A-sealer rc-d
2-26	PSEL-C955CBZZ	AE			Ra sealer a
2-29	PSEL-C958CBZZ	AH			A-sealer damper
2-31	LPLTMA827CBPZ	AG			Al panel
2-33	MLOV-A071CBFA	AP			R shower duct
2-34	PGiD-A178CBFZ	AH			R-shower ins.a
2-35	PSEL-C983CBZZ	AE			A-sealer r-shower-d
2-36	PFiL-A050CBEZ	AM			Deodorizer
2-38	HGRL-A302CBFC	AR			Base cover [SL]
2-38	HGRL-A302CBFE	AR			Base cover [WH]
2-38	HGRL-A302CBFF	AR			Base cover [BE]
2-40	LSTPPA161CBFA	AE			Case stopper
2-49	PSEL-D085CBZZ	AD			R thermistor sealer
2-50	HGRL-A304CBFA	AS			Fan louver
2-52	PCOV-A458CBRB	AK			R lamp cover
2-54	PCAP-A006CBFW	AB			Screw cover
2-55	PCAP-A006CBFY	AB			Screw cover [BE]
2-55	PCAP-A077CBFH	AD			Screw cover [SL]
2-60	GCOV-A375CBFZ	AP			E.v cover
2-61	PSEL-D017CBZZ	AE			E.v cover sealer a
2-63	PSEL-E421CBZZ	AE			E.v cover sealer c
2-64	PSEL-C601CBZZ	AE			Ev-cov.sealer c
2-65	PSEL-E430CBZZ	AC			E.v cover sealer e
2-66	PSHEMA360CBTZ	AR			Heater cover
2-67	LPLTMA851CBPZ	AH			Drain support
2-68	GCOVPA249CBFB	AP			Ev terminal cover
2-88	JKNB-A085CBFA	AF			Control knob
2-89	LPLTPA490CBZZ	AE			Pwb sheet 55dr
2-101	PSEL-B122CBE0	AB			A-sealer thermo.cap.
2-102	PSEL-E052CBZZ	AE			Ra sealer d
2-103	PSEL-E053CBZZ	AE			Discharge sealer
2-104	PSEL-E063CBZZ	AF			Ra sealer f
2-105	FGRL-A460CBYZ				C air gider ass'y
6-8	PEVA-A183CBZZ	BC			Evaporator
90-2	TLAB-A876CBRZ	AC			Warning label
90-31	HPNLCA084CBRB	AK			Control label

[13] SJ-SC440V DOOR PARTS



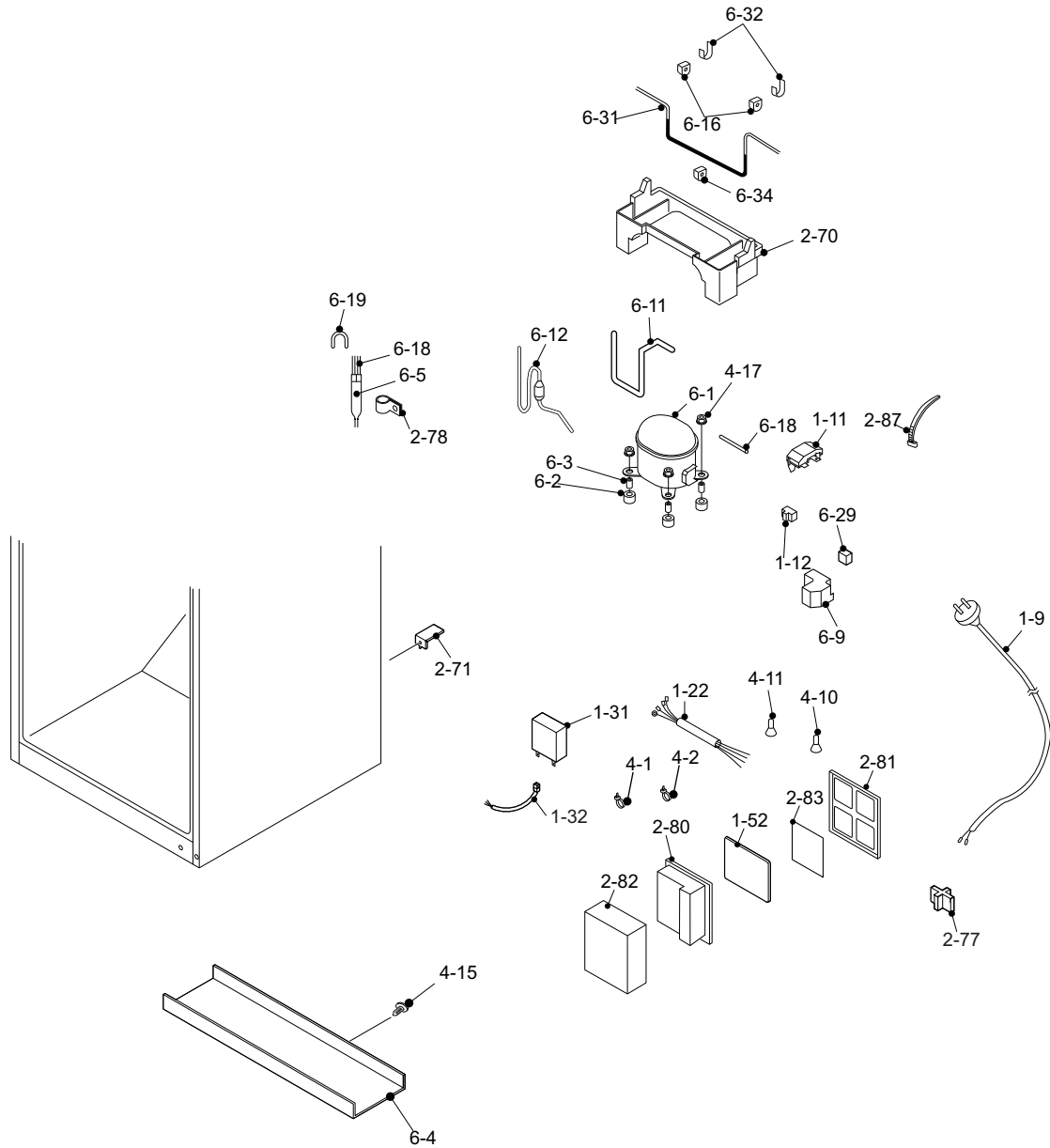
NO.	PARTS CODE	PRICE RANK	NEW MARK	PART RANK	DESCRIPTION
<b>[13] SJ-SC440V DOOR PARTS</b>					
3-1	FDORFC232CBKZ	BU			F-door ass'y [SL]
3-1	FDORFC242CBKZ	BU			F-door ass'y [WH]
3-1	FDORFC248CBKZ	BU			F-door ass'y [BE]
3-1-1	LSTPMA028CBMZ	AE			F-door stopper r
3-1-2	LSTPPA158CBFA	AE			Fd-stopper spring r
3-2	FPACGA599CBKZ	AU			F-door packing
3-3	JHNDMA035CBZA	AU			F-handle
3-4	HDECQA648CBFE	AL			Hd base ft/rt [WH]
3-4	HDECQA648CBTB	AL			Hd base ft/rt [SL]
3-4	HDECQA648CBTF	AL			Hd base ft/rt [BE]
3-6	LPLTMB003CBPZ	AN			Handle stay t
3-7	LPLTMB004CBPZ	AN			Handle stay b
3-8	GCAP-B154CBFE	AK			Hd cover top [WH]
3-8	GCAP-B154CBTB	AK			Hd cover top [SL]
3-8	GCAP-B154CBTF	AK			Hd cover top [BE]
3-9	GCAP-B155CBFE	AK			Hd cover bottom [WH]
3-9	GCAP-B155CBTB	AK			Hd cover bottom [SL]
3-9	GCAP-B155CBTF	AK			Hd cover bottom [BE]
3-10	GCAP-B168CBJA	AL			Hd cap
3-11	FDORRC423CBKZ	BV			R-door ass'y [SL]
3-11	FDORRC450CBKZ	BV			R-door ass'y [WH]
3-11	FDORRC469CBKZ	BV			R-door ass'y [BE]
3-11-1	LSTP-A064CBMZ	AE			R-door stopper r
3-11-2	LSTPPA184CBFA	AH			Rd-stopper spring r
3-12	FPACGA601CBKZ	AV			R-door packing
3-13	JHNDMA037CBZA	AZ			R-handle
3-15	HDECQA651CBFE	AL			Hd base fb/rb [WH]
3-15	HDECQA651CBTB	AL			Hd base fb/rb [SL]
3-15	HDECQA651CBTF	AL			Hd base fb/rb [BE]
3-21	HBDGDB043CBJB	AN			Badge
3-25	HBDGDB062CBEA	AH			Pc badge ew s40
3-32	PBARPA035CBEA	AL			Freezer bar
3-33	PSPAVA099CBFZ	AC			Hd spacer

[14] SJ-SC440V ATTACHMENT PARTS



NO.	PARTS CODE	PRICE RANK	NEW MARK	PART RANK	DESCRIPTION
<b>[14] SJ-SC440V ATTACHMENT PARTS</b>					
2-99	FPLTPA152CBKZ	AN			Temp.meter ass'y
5-3	UPOKPA318CBFB	AM			Rf door pocket
5-5	UPOKPA319CBFB	AK			Utility pocket
5-6	UPOKPA320CBFB	AM			R door pocket
5-7	UTNA-A282CBFC	AF			Egg tray
5-9	UPOKPA321CBFB	AQ			Bottle pocket
5-10	UPOKPA251CBFE	AG			Tube stand
5-12	UTNA-A461CBFB	AX			F shelf
5-13	FSRA-A275CBYZ	AR			Ice cube maker
5-14	UYOK-A579CBFB	AN			Ice storage box
5-15	GDORPA088CBFB	AN			Fresh door
5-16	UYOK-A585CBFB	AX			Fresh case
5-17	FTNA-A504CBKZ	BA			R glass shelf ass'y
5-20	FTNA-A503CBKZ	BC			V glass shelf ass'y
5-21	UYOK-A586CBFB	BA			Vegetable case
5-23	GGAD-A038CBFC	AM			V parting plate
5-24	PCAP-A068CBFA	AC			C sliding cap a
90-33	TLAB-B220CBRZ	AE			Temp.caution label
<b>[15] SJ-SC440V OTHER PARTS</b>					
90-1	TINS-B191CBRZ	AS			Operation manual
90-3	SPAKCA629CBZZ	BB			Packing case 35cs
90-6	CPADBA186CBKZ	BF			Bottom pad ass'y
90-7	CPADBA190CBKZ	AM			Top pad ass'y
90-15	TLAB-A811CBR0	AF			4-star label
90-21	TLAB-B396CBRZ	AG			Caution label rof-hc
90-29	TLAB-B290CBRZ	AF			N mark label
90-40	SPADBA384CBFZ	AM			Corner post bl
90-41	SPADBA385CBFZ	AN			Corner post br
90-42	SPADBA624CBFZ	AN			Corner post fl
90-43	SPADBA625CBFZ	AN			Corner post fr
90-45	SPADBA628CBZZ	AK			Top sheet
90-46	SPADBA440CBZZ	AK			V-tray support
90-47	SPADBA627CBFZ	AM			F door protect sheet
90-49	SPADBA626CBFZ	AS			Cab protect sheet f
90-50	SSAKHA015CBZZ	AF			Base poly cover
90-51	SSAKHA050CBZZ				Poly cover

[16] SJ-SC480V CYCLE PARTS

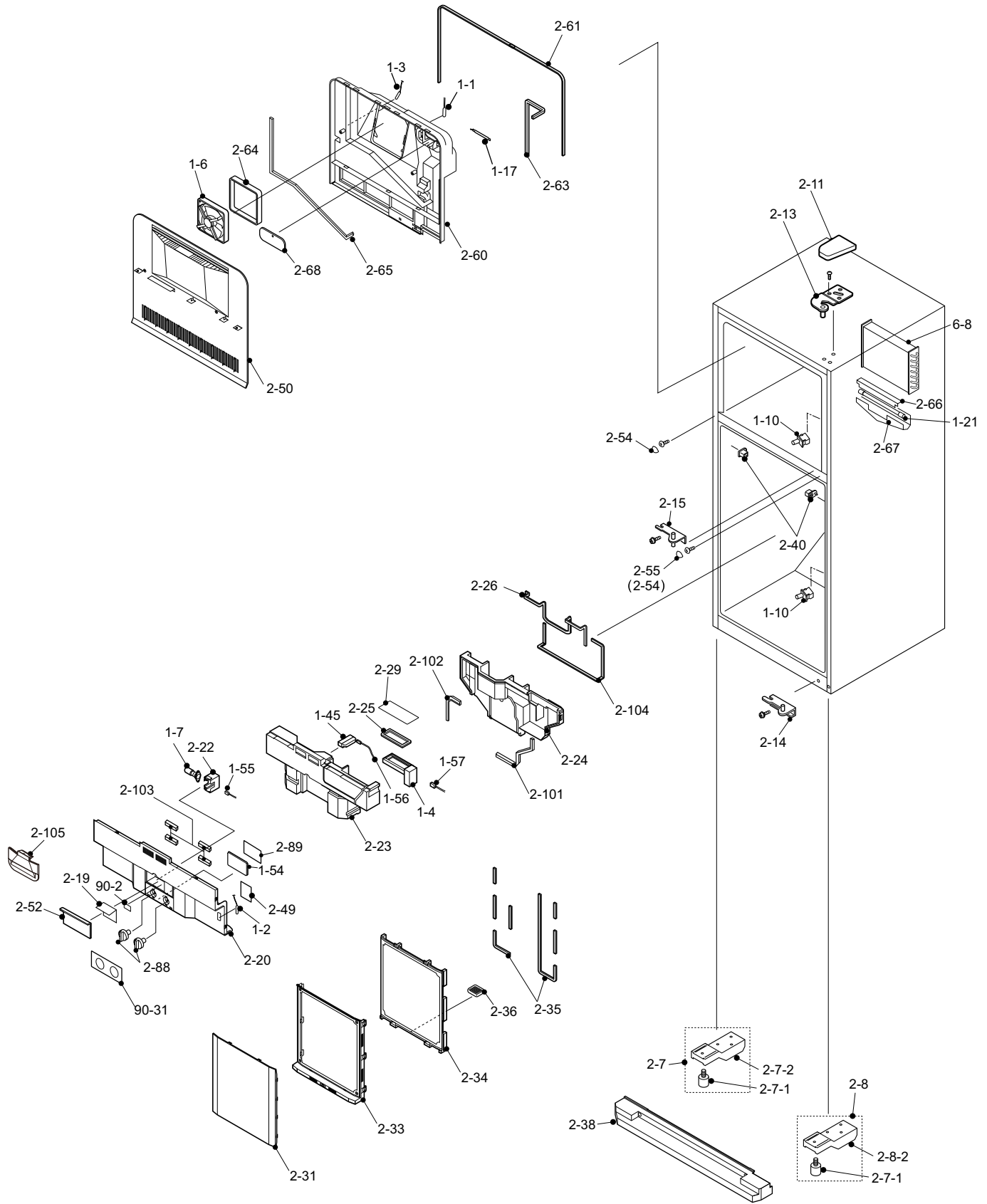


NO.	PARTS CODE	PRICE RANK	NEW MARK	PART RANK	DESCRIPTION
<b>[16] SJ-SC480V CYCLE PARTS</b>					
1-9	QACC-A156CBZZ	AQ			Source cord
1-11	RHOG-A189CBEZ	AZ			Protector
1-12	RSTT-A179CBZZ	AR			Ptc relay
1-22	FCNW-B019CBKZ	AT			Relay cord s ass'y
1-31	RC-EZA254CBZZ	AS			Running capacitor
1-32	QCNW-B021CBZZ	AC			Reray wire rc
1-52	FPWB-A778CBKZ	BW			Main & sub pwb ass'y
2-70	USRA-A318CBFA	AP			Drain pan
2-71	LHLD-A797CBFZ	AE			Ev pan holder
2-77	LHLD-A359CBFA	AE			T-box holder
2-78	LPLTMA399CBP0	AD			Dryer support
2-80	PBOX-A166CBFA	AV			Terminal box
2-81	PCOV-A406CBPZ	AF			Terminal cover
2-82	PCOVMA006CBYZ	AF			Terminal box cover
2-83	PSHEPA086CBZZ	AF			Terminal sheet
2-87	LBND-A018CBE0	AP			Fastening band a
4-1	LBND-A023CBE0	AC			L-band c
4-2	LBND-A019CBE0	AB			Nylon band
4-10	QTAN-A013CBE0	AH			Solderless term. A
4-11	QTAN-A012CBE0	AH			Solderless term. B
4-15	LX-BZA090CBZZ	AC			Special screw
4-17	LX-WZA035CBZZ	AB			Washer
6-1	PCMPLA296CBZZ	BZ			Compressor
6-2	PSPAGA080CBZZ	AK			Rubber grommet

NO.	PARTS CODE	PRICE RANK	NEW MARK	PART RANK	DESCRIPTION
<b>[16] SJ-SC480V CYCLE PARTS</b>					
6-3	PSPAFA047CBEZ	AE			Sleeve
6-4	FFRM-A156CBKZ	AH			Base frame ass'y
6-5	FDRY-A006CBK0	AX			Dryer ass'y
6-9	PCOVPA271CBEZ	AH			Terminal cover
6-11	PPiPCA648CBZZ	AL			S.p connector
6-12	PPiPCA651CBZZ	AL			Discharge connector
6-16	PGUM-A003CBF0	AH			Absorbent rubber b
6-18	PPiPCA517CBZZ	AE			Chrg pipe hc s
6-19	PPiPCA551CBZZ	AF			Drier connector
6-29	LHLD-A465CBE0	AG			Cord clip
6-31	FPiPCA352CBKZ	AQ			Eva pan pipe s ass'y
6-32	LANG-A058CBPZ	AC			Absorbent rubber clm
6-34	PGUM-A034CBFZ	AF			Evapan rubber wp

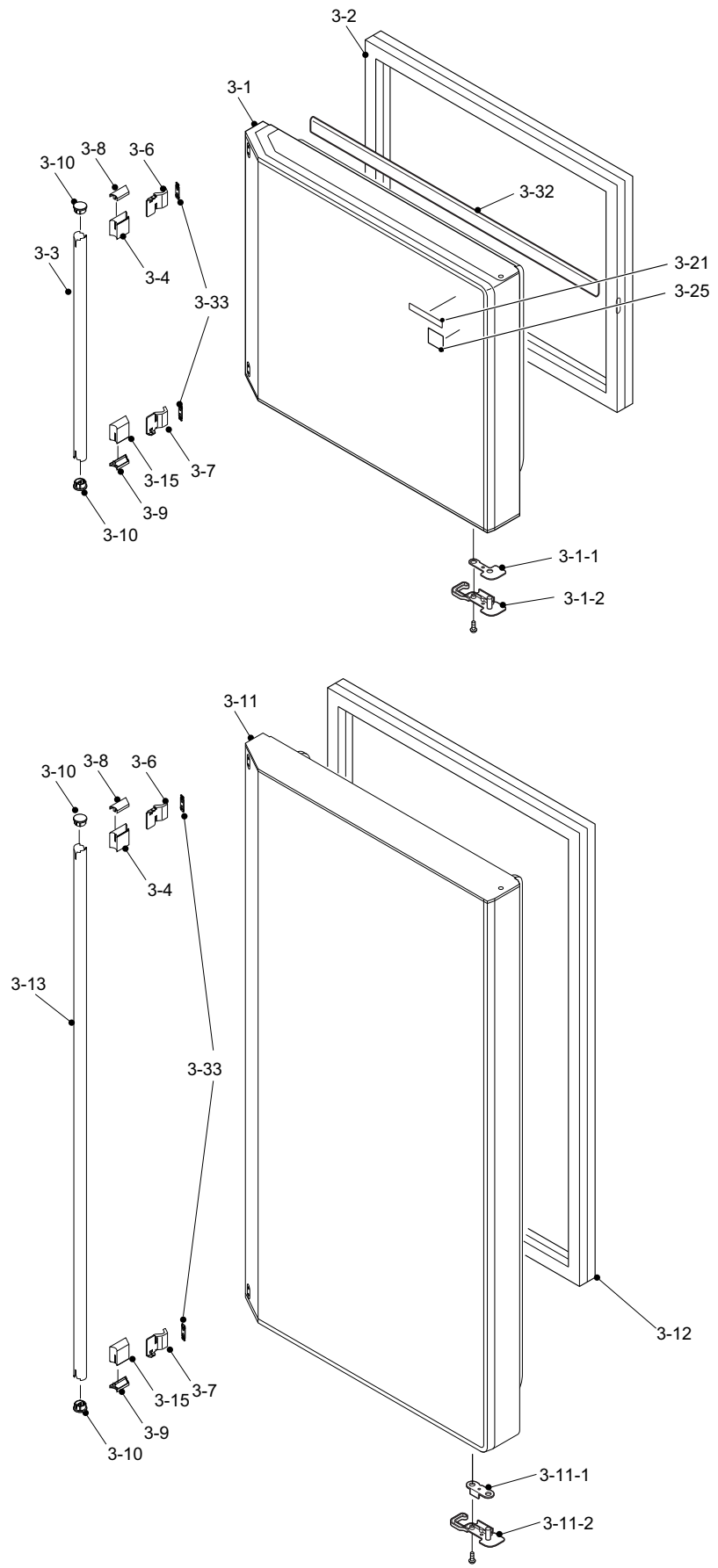


[17] SJ-SC480V MECHANICAL PARTS



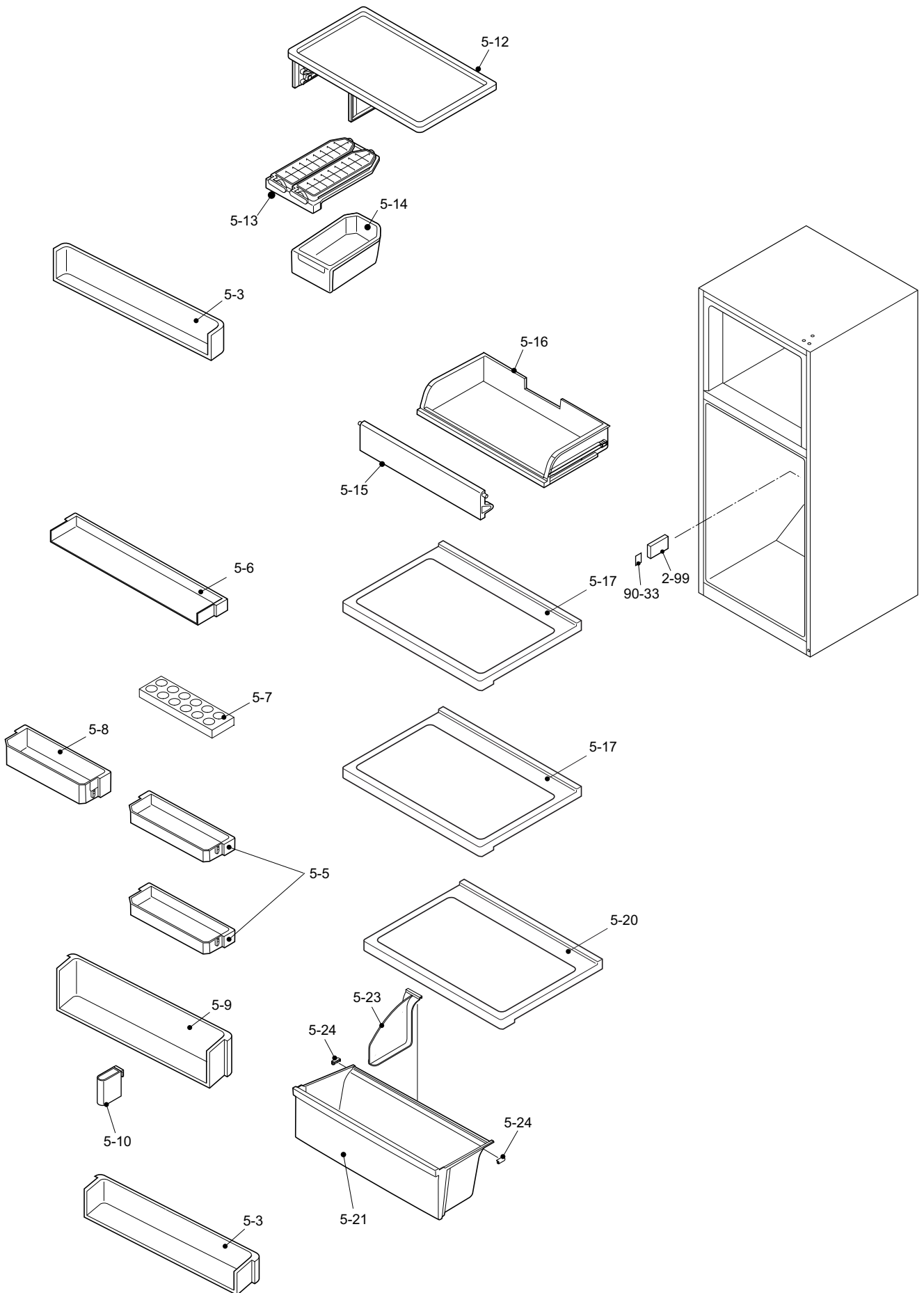
NO.	PARTS CODE	PRICE RANK	NEW MARK	PART RANK	DESCRIPTION
<b>[17] SJ-SC480V MECHANICAL PARTS</b>					
1-1	RH-HXA104CBZZ	AZ			F-thermistor
1-2	RH-HXA103CBZZ	AZ			R-thermistor
1-3	RH-HXA118CBZZ	AT			Def.thermistor
1-4	DTHM-A043CBKZ	AX			Damper ass'y
1-6	RMOTRA096CBZZ	BE			F fan motor
1-7	RLMP-A037CBZZ	AM			Lamp
1-10	QSW-PA097CBZA	AG			Door switch
1-17	FFS-TA104CBKZ	AN			Fuse ass'y
1-21	FHETBA225CBZZ	AT			Def. Heater ass'y
1-45	CKiTTA159AKKZ	AX			Plasmacluster unit
1-54	FPWB-A554CBKZ	AY			Vr pwb ass'y
1-55	QCNW-B270CBZZ	AH			Lamp harness
1-56	QCNW-B257CBZZ	AP			Plasma harness
1-57	QCNW-B258CBZZ	AP			Damper harness
2-7	FLEGPA149CBKZ	AF			Leg holder l ass'y
2-7-1	FAJS-A013CBK0	AE			Adjustable leg ass'y
2-7-2	LHLD-A817CBPZ	AF			Leg holder l
2-8	FLEGPA150CBKZ	AF			Leg holder r ass'y
2-8-2	LHLD-A818CBPZ	AF			Leg holder r
2-11	GCOV-A373CBFC	AH			Upper hinge cover [SL]
2-11	GCOV-A373CBFE	AH			Upper hinge cover [WH]
2-11	GCOV-A373CBFF	AH			Upper hinge cover [BE]
2-13	DHNG-A801CBMZ	AS			Upper hinge r ass'y
2-14	DHNG-A802CBMZ	AS			Bottom hinge r ass'y
2-15	DHNG-A803CBMZ	AS			Center hinge r ass'y
2-19	LPLTMA854CBPZ	AF			R-cbox al sheet
2-20	GCOVPA246CBFA	AS			R-c box cover
2-22	LHLD-A822CBFZ	AG			R lamp holder
2-23	PGiD-A189CBFZ	AK			R air guider a
2-24	PGiD-A190CBFZ	AH			R air guider b
2-25	PSEL-C669CBZZ	AD			A-sealer rc-d
2-26	PSEL-C955CBZZ	AE			Ra sealer a
2-29	PSEL-C958CBZZ	AH			A-sealer damper
2-31	LPLTMA827CBPZ	AG			Al panel
2-33	MLOV-A071CBFA	AP			R shower duct
2-34	PGiD-A178CBFZ	AH			R-shower ins.a
2-35	PSEL-C983CBZZ	AE			A-sealer r-shower-d
2-36	PFiL-A050CBEZ	AM			Deodorizer
2-38	HGRL-A302CBFC	AR			Base cover [SL]
2-38	HGRL-A302CBFE	AR			Base cover [WH]
2-38	HGRL-A302CBFF	AR			Base cover [BE]
2-40	LSTPPA161CBFA	AE			Case stopper
2-49	PSEL-D085CBZZ	AD			R thermistor sealer
2-50	HGRL-A304CBFA	AS			Fan louver
2-52	PCOV-A458CBRB	AK			R lamp cover
2-54	PCAP-A006CBFW	AB			Screw cover
2-55	PCAP-A006CBFY	AB			Screw cover [BE]
2-55	PCAP-A077CBFH	AD			Screw cover [SL]
2-60	GCOV-A375CBFZ	AP			E.v cover
2-61	PSEL-D017CBZZ	AE			E.v cover sealer a
2-63	PSEL-E421CBZZ	AE			E.v cover sealer c
2-64	PSEL-C601CBZZ	AE			Ev-cov.sealer c
2-65	PSEL-E430CBZZ	AC			E.v cover sealer e
2-66	PSHEMA360CBTZ	AR			Heater cover
2-67	LPLTMA851CBPZ	AH			Drain support
2-68	GCOVPA249CBFB	AP			Ev terminal cover
2-88	JKNB-A085CBFA	AF			Control knob
2-89	LPLTPA490CBZZ	AE			Pwb sheet 55dr
2-101	PSEL-B122CBE0	AB			A-sealer thermo.cap.
2-102	PSEL-E052CBZZ	AE			Ra sealer d
2-103	PSEL-E053CBZZ	AE			Discharge sealer
2-104	PSEL-E063CBZZ	AF			Ra sealer f
2-105	FGRL-A460CBYZ				C air gider ass'y
6-8	PEVA-A183CBZZ	BC			Evaporator
90-2	TLAB-A876CBRZ	AC			Warning label
90-31	HPNLCA084CBRB	AK			Control label

[18] SJ-SC480V DOOR PARTS



NO.	PARTS CODE	PRICE RANK	NEW MARK	PART RANK	DESCRIPTION
<b>[18] SJ-SC480V DOOR PARTS</b>					
3-1	FDORFC232CBKZ	BU			F-door ass'y [SL]
3-1	FDORFC242CBKZ	BU			F-door ass'y [WH]
3-1	FDORFC248CBKZ	BU			F-door ass'y [BE]
3-1-1	LSTPMA028CBMZ	AE			F-door stopper r
3-1-2	LSTPPA158CBFA	AE			Fd-stopper spring r
3-2	FPACGA599CBKZ	AU			F-door packing
3-3	JHNDMA035CBZA	AU			F-handle
3-4	HDECQA648CBFE	AL			Hd base ft/rt [WH]
3-4	HDECQA648CBTB	AL			Hd base ft/rt [SL]
3-4	HDECQA648CBTF	AL			Hd base ft/rt [BE]
3-6	LPLTMB003CBPZ	AN			Handle stay t
3-7	LPLTMB004CBPZ	AN			Handle stay b
3-8	GCAP-B154CBFE	AK			Hd cover top [WH]
3-8	GCAP-B154CBTB	AK			Hd cover top [SL]
3-8	GCAP-B154CBTF	AK			Hd cover top [BE]
3-9	GCAP-B155CBFE	AK			Hd cover bottom [WH]
3-9	GCAP-B155CBTB	AK			Hd cover bottom [SL]
3-9	GCAP-B155CBTF	AK			Hd cover bottom [BE]
3-10	GCAP-B168CBJA	AL			Hd cap
3-11	FDORRC419CBKZ	BW			R-door ass'y [SL]
3-11	FDORRC448CBKZ	BW			R-door ass'y [WH]
3-11	FDORRC468CBKZ	BW			R-door ass'y [BE]
3-11-1	LSTP-A064CBMZ	AE			R-door stopper r
3-11-2	LSTPPA184CBFA	AH			Rd-stopper spring r
3-12	FPACGA600CBKZ	AV			R-door packing
3-13	JHNDMA036CBZA	AZ			R-handle
3-15	HDECQA651CBFE	AL			Hd base fb/rb [WH]
3-15	HDECQA651CBTB	AL			Hd base fb/rb [SL]
3-15	HDECQA651CBTF	AL			Hd base fb/rb [BE]
3-21	HBDGDB043CBJB	AN			Badge
3-25	HBDGDB062CBEA	AH			Pc badge ew s40
3-32	PBARPA035CBEA	AL			Freezer bar
3-33	PSPAVA099CBFZ	AC			Hd spacer

[19] SJ-SC480V ATTACHMENT PARTS



NO.	PARTS CODE	PRICE RANK	NEW MARK	PART RANK	DESCRIPTION
<b>[19] SJ-SC480V ATTACHMENT PARTS</b>					
2-99	FPLTPA152CBKZ	AN			Temp.meter ass'y
5-3	UPOKPA318CBFB	AM			Rf door pocket
5-5	UPOKPA319CBFB	AK			Utility pocket
5-6	UPOKPA320CBFB	AM			R door pocket
5-7	UTNA-A282CBFC	AF			Egg tray
5-8	UPOKPA322CBFB	AM			Utility pocket I
5-9	UPOKPA321CBFB	AQ			Bottle pocket
5-10	UPOKPA251CBFE	AG			Tube stand
5-12	UTNA-A461CBFB	AX			F shelf
5-13	FSRA-A275CBYZ	AR			Ice cube maker
5-14	UYOK-A579CBFB	AN			Ice storage box
5-15	GDORPA088CBFB	AN			Fresh door
5-16	UYOK-A585CBFB	AX			Fresh case
5-17	FTNA-A504CBKZ	BA			R glass shelf ass'y
5-20	FTNA-A503CBKZ	BC			V glass shelf ass'y
5-21	UYOK-A586CBFB	BA			Vegetable case
5-23	GGAD-A038CBFC	AM			V parting plate
5-24	PCAP-A068CBFA	AC			C sliding cap a
90-33	TLAB-B220CBRZ	AE			Temp.caution label
<b>[20] SJ-SC480V OTHER PARTS</b>					
90-1	TINS-B191CBRZ	AS			Operation manual
90-3	SPAKCA628CBZZ	BB			Packing case 39cs
90-6	CPADBA186CBKZ	BF			Bottom pad ass'y
90-7	CPADBA190CBKZ	AM			Top pad ass'y
90-12	TLAB-C396CBRZ	AP			Energy label
90-15	TLAB-A811CBR0	AF			4-star label
90-21	TLAB-B396CBRZ	AG			Caution label rof-hc
90-29	TLAB-B290CBRZ	AF			N mark label
90-40	SPADBA384CBFZ	AM			Corner post bl
90-41	SPADBA385CBFZ	AN			Corner post br
90-42	SPADBA624CBFZ	AN			Corner post fl
90-43	SPADBA625CBFZ	AN			Corner post fr
90-45	SPADBA628CBZZ	AK			Top sheet
90-46	SPADBA440CBZZ	AK			V-tray support
90-47	SPADBA627CBFZ	AM			F door protect sheet
90-49	SPADBA626CBFZ	AS			Cab protect sheet f
90-50	SSAKHA015CBZZ	AF			Base poly cover
90-51	SSAKHA051CBZZ				Poly cover

INDEX

PARTS CODE	No.	PRICE RANK	NEW MARK	PART RANK
<b>【 C 】</b>				
CKITTA159AKKZ	2-1-45	AX		
"	7-1-45	AX		
"	12-1-45	AX		
"	17-1-45	AX		
CPADBA185CBKZ	5-90-7	AV		
"	10-90-7	AV		
CPADBA186CBKZ	5-90-6	BF		
"	10-90-6	BF		
"	15-90-6	BF		
"	20-90-6	BF		
CPADBA190CBKZ	15-90-7	AM		
"	20-90-7	AM		
<b>【 D 】</b>				
DHNG-A801CBMZ	2-2-13	AS		
"	7-2-13	AS		
"	12-2-13	AS		
"	17-2-13	AS		
DHNG-A802CBMZ	2-2-14	AS		
"	7-2-14	AS		
"	12-2-14	AS		
"	17-2-14	AS		
DHNG-A803CBMZ	2-2-15	AS		
"	7-2-15	AS		
"	12-2-15	AS		
"	17-2-15	AS		
DTHM-A043CBKZ	2-1-4	AX		
"	7-1-4	AX		
"	12-1-4	AX		
"	17-1-4	AX		
<b>【 F 】</b>				
FAJS-A013CBK0	2-2-7-1	AE		
"	7-2-7-1	AE		
"	12-2-7-1	AE		
"	17-2-7-1	AE		
FCNW-B019CBKZ	1-1-22	AT		
"	6-1-22	AT		
"	11-1-22	AT		
"	16-1-22	AT		
FDORFC227CBKZ	3-3-1	CA		
"	8-3-1	CA		
FDORFC228CBKZ	3-3-1	CA		
"	8-3-1	CA		
FDORFC232CBKZ	13-3-1	BU		
"	18-3-1	BU		
FDORFC242CBKZ	13-3-1	BU		
"	18-3-1	BU		
FDORFC248CBKZ	13-3-1	BU		
"	18-3-1	BU		
FDORRC414CBKZ	8-3-11	CE		
FDORRC415CBKZ	8-3-11	CE		
FDORRC419CBKZ	18-3-11	BW		
FDORRC420CBKZ	3-3-11	CD		
FDORRC421CBKZ	3-3-11	CD		
FDORRC423CBKZ	13-3-11	BV		
FDORRC448CBKZ	18-3-11	BW		
FDORRC450CBKZ	13-3-11	BV		
FDORRC468CBKZ	18-3-11	BW		
FDORRC469CBKZ	13-3-11	BV		
FDRY-A006CBK0	1-6-5	AX		
"	6-6-5	AX		
"	11-6-5	AX		
"	16-6-5	AX		
FFRM-A156CBKZ	1-6-4	AH		
"	6-6-4	AH		
"	11-6-4	AH		
"	16-6-4	AH		
FFS-TA104CBKZ	2-1-17	AN		
"	7-1-17	AN		
"	12-1-17	AN		
"	17-1-17	AN		
FGRL-A460CBYZ	2-2-105			
"	7-2-105			
"	12-2-105			
"	17-2-105			
FHETBA225CBZZ	2-1-21	AT		
"	7-1-21	AT		
"	12-1-21	AT		
"	17-1-21	AT		

PARTS CODE	No.	PRICE RANK	NEW MARK	PART RANK
FLEGPA149CBKZ	2-2-7	AF		
"	7-2-7	AF		
"	12-2-7	AF		
"	17-2-7	AF		
FLEGPA150CBKZ	2-2-8	AF		
"	7-2-8	AF		
"	12-2-8	AF		
"	17-2-8	AF		
FPACGA599CBKZ	3-3-2	AU		
"	8-3-2	AU		
"	13-3-2	AU		
"	18-3-2	AU		
FPACGA600CBKZ	8-3-12	AV		
"	18-3-12	AV		
FPACGA601CBKZ	3-3-12	AV		
"	13-3-12	AV		
FPIPCA352CBKZ	1-6-31	AQ		
"	6-6-31	AQ		
"	11-6-31	AQ		
"	16-6-31	AQ		
FPLTPA152CBKZ	4-2-99	AN		
"	9-2-99	AN		
"	14-2-99	AN		
"	19-2-99	AN		
FPWB-A554CBKZ	2-1-54	AY		
"	7-1-54	AY		
"	12-1-54	AY		
"	17-1-54	AY		
FPWB-A778CBKZ	1-1-52	BW		
"	6-1-52	BW		
"	11-1-52	BW		
"	16-1-52	BW		
FSRA-A275CBYZ	4-5-13	AR		
"	9-5-13	AR		
"	14-5-13	AR		
"	19-5-13	AR		
FTNA-A503CBKZ	14-5-20	BC		
"	19-5-20	BC		
FTNA-A504CBKZ	14-5-17	BA		
"	19-5-17	BA		
FTNA-A595CBKZ	4-5-20	BG		
"	9-5-20	BG		
FTNA-A596CBKZ	4-5-17	BG		
"	9-5-17	BG		
<b>【 G 】</b>				
GCAP-B154CBFE	13-3-8	AK		
"	18-3-8	AK		
GCAP-B154CBTA	3-3-8	AK		
"	8-3-8	AK		
GCAP-B154CBTB	3-3-8	AK		
"	8-3-8	AK		
"	13-3-8	AK		
"	18-3-8	AK		
GCAP-B154CBTF	13-3-8	AK		
"	18-3-8	AK		
GCAP-B155CBFE	13-3-9	AK		
"	18-3-9	AK		
GCAP-B155CBTA	3-3-9	AK		
"	8-3-9	AK		
GCAP-B155CBTB	3-3-9	AK		
"	8-3-9	AK		
"	13-3-9	AK		
"	18-3-9	AK		
GCAP-B155CBTF	13-3-9	AK		
"	18-3-9	AK		
GCAP-B168CBJA	3-3-10	AL		
"	8-3-10	AL		
"	13-3-10	AL		
"	18-3-10	AL		
GCOV-A373CBFA	2-2-11	AH		
"	7-2-11	AH		
GCOV-A373CBFB	2-2-11	AH		
"	7-2-11	AH		
GCOV-A373CBFC	12-2-11	AH		
"	17-2-11	AH		
GCOV-A373CBFE	12-2-11	AH		
"	17-2-11	AH		
GCOV-A373CBFF	12-2-11	AH		
"	17-2-11	AH		
GCOV-A375CBFZ	2-2-60	AP		

PARTS CODE	No.	PRICE RANK	NEW MARK	PART RANK
"	7-2-60	AP		
"	12-2-60	AP		
"	17-2-60	AP		
GCOVPA246CBFA	2-2-20	AS		
"	7-2-20	AS		
"	12-2-20	AS		
"	17-2-20	AS		
GCOVPA249CBFB	2-2-68	AP		
"	7-2-68	AP		
"	12-2-68	AP		
"	17-2-68	AP		
GDORPA088CBFB	4-5-15	AN		
"	9-5-15	AN		
"	14-5-15	AN		
"	19-5-15	AN		
GGAD-A038CBFC	4-5-23	AM		
"	9-5-23	AM		
"	14-5-23	AM		
"	19-5-23	AM		
<b>【 H 】</b>				
HBDGDB043CBJB	3-3-21	AN		
"	8-3-21	AN		
"	13-3-21	AN		
"	18-3-21	AN		
HBDGDB062CBEA	3-3-25	AH		
"	8-3-25	AH		
"	13-3-25	AH		
"	18-3-25	AH		
HDECQA648CBFE	13-3-4	AL		
"	18-3-4	AL		
HDECQA648CBTA	3-3-4	AL		
"	8-3-4	AL		
HDECQA648CBTB	3-3-4	AL		
"	8-3-4	AL		
"	13-3-4	AL		
"	18-3-4	AL		
HDECQA648CBTF	13-3-4	AL		
"	18-3-4	AL		
HDECQA649CBRA	3-3-5	AL		
"	8-3-5	AL		
HDECQA649CBRB	3-3-5	AL		
"	8-3-5	AL		
HDECQA650CBRA	3-3-14	AL		
"	8-3-14	AL		
HDECQA650CBRB	3-3-14	AL		
"	8-3-14	AL		
HDECQA651CBFE	13-3-15	AL		
"	18-3-15	AL		
HDECQA651CBTA	3-3-15	AL		
"	8-3-15	AL		
HDECQA651CBTB	3-3-15	AL		
"	8-3-15	AL		
"	13-3-15	AL		
"	18-3-15	AL		
HDECQA651CBTF	13-3-15	AL		
"	18-3-15	AL		
HGRL-A302CBFA	2-2-38	AR		
"	7-2-38	AR		
HGRL-A302CBFB	2-2-38	AR		
"	7-2-38	AR		
HGRL-A302CBFC	12-2-38	AR		
"	17-2-38	AR		
HGRL-A302CBFE	12-2-38	AR		
"	17-2-38	AR		
HGRL-A302CBFF	12-2-38	AR		
"	17-2-38	AR		
HGRL-A304CBFA	2-2-50	AS		
"	7-2-50	AS		
"	12-2-50	AS		
"	17-2-50	AS		
HPNLCA084CBRB	2-90-31	AK		
"	7-90-31	AK		
"	12-90-31	AK		
"	17-90-31	AK		
<b>【 J 】</b>				
JHNDMA035CBZA	3-3-3	AU		
"	8-3-3	AU		
"	13-3-3	AU		
"	18-3-3	AU		
JHNDMA036CBZA	8-3-13	AZ		
"	18-3-13	AZ		
JHNDMA037CBZA	3-3-13	AZ		

PARTS CODE	No.	PRICE RANK	NEW MARK	PART RANK
"	13-3-13	AZ		
JKNB-A085CBFA	2-2-88	AF		
"	7-2-88	AF		
"	12-2-88	AF		
"	17-2-88	AF		
<b>【 L 】</b>				
LANG-A058CBPZ	1-6-32	AC		
"	6-6-32	AC		
"	11-6-32	AC		
"	16-6-32	AC		
LBND-A018CBE0	1-2-87	AP		
"	6-2-87	AP		
"	11-2-87	AP		
"	16-2-87	AP		
LBND-A019CBE0	1-4-2	AB		
"	6-4-2	AB		
"	11-4-2	AB		
"	16-4-2	AB		
LBND-A023CBE0	1-4-1	AC		
"	6-4-1	AC		
"	11-4-1	AC		
"	16-4-1	AC		
LHLD-A359CBFA	1-2-77	AE		
"	6-2-77	AE		
"	11-2-77	AE		
"	16-2-77	AE		
LHLD-A465CBE0	1-6-29	AG		
"	6-6-29	AG		
"	11-6-29	AG		
"	16-6-29	AG		
LHLD-A797CBFZ	1-2-71	AE		
"	6-2-71	AE		
"	11-2-71	AE		
"	16-2-71	AE		
LHLD-A817CBPZ	2-2-7-2	AF		
"	7-2-7-2	AF		
"	12-2-7-2	AF		
"	17-2-7-2	AF		
LHLD-A818CBPZ	2-2-8-2	AF		
"	7-2-8-2	AF		
"	12-2-8-2	AF		
"	17-2-8-2	AF		
LHLD-A822CBFZ	2-2-22	AG		
"	7-2-22	AG		
"	12-2-22	AG		
"	17-2-22	AG		
LPLTMA399CBP0	1-2-78	AD		
"	6-2-78	AD		
"	11-2-78	AD		
"	16-2-78	AD		
LPLTMA827CBPZ	2-2-31	AG		
"	7-2-31	AG		
"	12-2-31	AG		
"	17-2-31	AG		
LPLTMA851CBPZ	2-2-67	AH		
"	7-2-67	AH		
"	12-2-67	AH		
"	17-2-67	AH		
LPLTMA854CBPZ	2-2-19	AF		
"	7-2-19	AF		
"	12-2-19	AF		
"	17-2-19	AF		
LPLTMB003CBPZ	3-3-6	AN		
"	8-3-6	AN		
"	13-3-6	AN		
"	18-3-6	AN		
LPLTMB004CBPZ	3-3-7	AN		
"	8-3-7	AN		
"	13-3-7	AN		
"	18-3-7	AN		
LPLTPA490CBZZ	2-2-89	AE		
"	7-2-89	AE		
"	12-2-89	AE		
"	17-2-89	AE		
LSTP-A064CBMZ	3-3-11-1	AE		
"	8-3-11-1	AE		
"	13-3-11-1	AE		
"	18-3-11-1	AE		
LSTPMA028CBMZ	3-3-1-1	AE		
"	8-3-1-1	AE		
"	13-3-1-1	AE		
"	18-3-1-1	AE		



PARTS CODE	No.	PRICE RANK	NEW MARK	PART RANK
LSTPPA158CBFA	3-3-1-2	AE		
"	8-3-1-2	AE		
"	13-3-1-2	AE		
"	18-3-1-2	AE		
LSTPPA161CBFA	2-2-40	AE		
"	7-2-40	AE		
"	12-2-40	AE		
"	17-2-40	AE		
LSTPPA184CBFA	3-3-11-2	AH		
"	8-3-11-2	AH		
"	13-3-11-2	AH		
"	18-3-11-2	AH		
LX-BZA090CBZZ	1-4-15	AC		
"	6-4-15	AC		
"	11-4-15	AC		
"	16-4-15	AC		
LX-WZA035CBZZ	1-4-17	AB		
"	6-4-17	AB		
"	11-4-17	AB		
"	16-4-17	AB		
<b>【 M 】</b>				
MLOV-A071CBFA	2-2-33	AP		
"	7-2-33	AP		
"	12-2-33	AP		
"	17-2-33	AP		
<b>【 P 】</b>				
PBARPA035CBEA	3-3-32	AL		
"	8-3-32	AL		
"	13-3-32	AL		
"	18-3-32	AL		
PBOX-A166CBFA	1-2-80	AV		
"	6-2-80	AV		
"	11-2-80	AV		
"	16-2-80	AV		
PCAP-A006CBFW	2-2-54	AB		
"	7-2-54	AB		
"	12-2-54	AB		
"	17-2-54	AB		
PCAP-A006CBFY	12-2-55	AB		
"	17-2-55	AB		
PCAP-A068CBFA	4-5-24	AC		
"	9-5-24	AC		
"	14-5-24	AC		
"	19-5-24	AC		
PCAP-A077CBFA	2-2-55	AA		
"	7-2-55	AA		
PCAP-A077CBFH	12-2-55	AD		
"	17-2-55	AD		
PCAP-A077CBFJ	2-2-55	AH		
"	7-2-55	AH		
PCMPLA296CBZZ	1-6-1	BZ		
"	6-6-1	BZ		
"	11-6-1	BZ		
"	16-6-1	BZ		
PCOV-A406CBPZ	1-2-81	AF		
"	6-2-81	AF		
"	11-2-81	AF		
"	16-2-81	AF		
PCOV-A458CBRB	2-2-52	AK		
"	7-2-52	AK		
"	12-2-52	AK		
"	17-2-52	AK		
PCOVMA006CBYZ	1-2-82	AF		
"	6-2-82	AF		
"	11-2-82	AF		
"	16-2-82	AF		
PCOVPA271CBEZ	1-6-9	AH		
"	6-6-9	AH		
"	11-6-9	AH		
"	16-6-9	AH		
PEVA-A183CBZZ	2-6-8	BC		
"	7-6-8	BC		
"	12-6-8	BC		
"	17-6-8	BC		
PFIL-A050CBEZ	2-2-36	AM		
"	7-2-36	AM		
"	12-2-36	AM		
"	17-2-36	AM		
PGID-A178CBFZ	2-2-34	AH		
"	7-2-34	AH		
"	12-2-34	AH		
"	17-2-34	AH		

PARTS CODE	No.	PRICE RANK	NEW MARK	PART RANK
PGID-A189CBFZ	2-2-23	AK		
"	7-2-23	AK		
"	12-2-23	AK		
"	17-2-23	AK		
PGID-A190CBFZ	2-2-24	AH		
"	7-2-24	AH		
"	12-2-24	AH		
"	17-2-24	AH		
PGUM-A003CBF0	1-6-16	AH		
"	6-6-16	AH		
"	11-6-16	AH		
"	16-6-16	AH		
PGUM-A034CBFZ	1-6-34	AF		
"	6-6-34	AF		
"	11-6-34	AF		
"	16-6-34	AF		
PPiPCA517CBZZ	1-6-18	AE		
"	6-6-18	AE		
"	11-6-18	AE		
"	16-6-18	AE		
PPiPCA551CBZZ	1-6-19	AF		
"	6-6-19	AF		
"	11-6-19	AF		
"	16-6-19	AF		
PPiPCA648CBZZ	1-6-11	AL		
"	6-6-11	AL		
"	11-6-11	AL		
"	16-6-11	AL		
PPiPCA651CBZZ	1-6-12	AL		
"	6-6-12	AL		
"	11-6-12	AL		
"	16-6-12	AL		
PSEL-B122CBE0	2-2-101	AB		
"	7-2-101	AB		
"	12-2-101	AB		
"	17-2-101	AB		
PSEL-C601CBZZ	2-2-64	AE		
"	7-2-64	AE		
"	12-2-64	AE		
"	17-2-64	AE		
PSEL-C669CBZZ	2-2-25	AD		
"	7-2-25	AD		
"	12-2-25	AD		
"	17-2-25	AD		
PSEL-C955CBZZ	2-2-26	AE		
"	7-2-26	AE		
"	12-2-26	AE		
"	17-2-26	AE		
PSEL-C958CBZZ	2-2-29	AH		
"	7-2-29	AH		
"	12-2-29	AH		
"	17-2-29	AH		
PSEL-C983CBZZ	2-2-35	AE		
"	7-2-35	AE		
"	12-2-35	AE		
"	17-2-35	AE		
PSEL-D017CBZZ	2-2-61	AE		
"	7-2-61	AE		
"	12-2-61	AE		
"	17-2-61	AE		
PSEL-D085CBZZ	2-2-49	AD		
"	7-2-49	AD		
"	12-2-49	AD		
"	17-2-49	AD		
PSEL-E052CBZZ	2-2-102	AE		
"	7-2-102	AE		
"	12-2-102	AE		
"	17-2-102	AE		
PSEL-E053CBZZ	2-2-103	AE		
"	7-2-103	AE		
"	12-2-103	AE		
"	17-2-103	AE		
PSEL-E063CBZZ	2-2-104	AF		
"	7-2-104	AF		
"	12-2-104	AF		
"	17-2-104	AF		
PSEL-E421CBZZ	2-2-63	AE		
"	7-2-63	AE		
"	12-2-63	AE		
"	17-2-63	AE		
PSEL-E430CBZZ	2-2-65	AC		
"	7-2-65	AC		

PARTS CODE	No.	PRICE RANK	NEW MARK	PART RANK
"	12-2-65	AC		
"	17-2-65	AC		
PSHEMA360CBTZ	2-2-66	AR		
"	7-2-66	AR		
"	12-2-66	AR		
"	17-2-66	AR		
PSHEPA086CBZZ	1-2-83	AF		
"	6-2-83	AF		
"	11-2-83	AF		
"	16-2-83	AF		
PSPAFA047CBEZ	1-6-3	AE		
"	6-6-3	AE		
"	11-6-3	AE		
"	16-6-3	AE		
PSPAGA080CBZZ	1-6-2	AK		
"	6-6-2	AK		
"	11-6-2	AK		
"	16-6-2	AK		
PSPAVA099CBFZ	3-3-33	AC		
"	8-3-33	AC		
"	13-3-33	AC		
"	18-3-33	AC		
<b>【 Q 】</b>				
QACC-A156CBZZ	1-1-9	AQ		
"	6-1-9	AQ		
"	11-1-9	AQ		
"	16-1-9	AQ		
QCNW-B021CBZZ	1-1-32	AC		
"	6-1-32	AC		
"	11-1-32	AC		
"	16-1-32	AC		
QCNW-B257CBZZ	2-1-56	AP		
"	7-1-56	AP		
"	12-1-56	AP		
"	17-1-56	AP		
QCNW-B258CBZZ	2-1-57	AP		
"	7-1-57	AP		
"	12-1-57	AP		
"	17-1-57	AP		
QCNW-B270CBZZ	2-1-55	AH		
"	7-1-55	AH		
"	12-1-55	AH		
"	17-1-55	AH		
QSW-PA097CBZA	2-1-10	AG		
"	7-1-10	AG		
"	12-1-10	AG		
"	17-1-10	AG		
QTAN-A012CBE0	1-4-11	AH		
"	6-4-11	AH		
"	11-4-11	AH		
"	16-4-11	AH		
QTAN-A013CBE0	1-4-10	AH		
"	6-4-10	AH		
"	11-4-10	AH		
"	16-4-10	AH		
<b>【 R 】</b>				
RC-EZA254CBZZ	1-1-31	AS		
"	6-1-31	AS		
"	11-1-31	AS		
"	16-1-31	AS		
RH-HXA103CBZZ	2-1-2	AZ		
"	7-1-2	AZ		
"	12-1-2	AZ		
"	17-1-2	AZ		
RH-HXA104CBZZ	2-1-1	AZ		
"	7-1-1	AZ		
"	12-1-1	AZ		
"	17-1-1	AZ		
RH-HXA118CBZZ	2-1-3	AT		
"	7-1-3	AT		
"	12-1-3	AT		
"	17-1-3	AT		
RHOG-A189CBEZ	1-1-11	AZ		
"	6-1-11	AZ		
"	11-1-11	AZ		
"	16-1-11	AZ		
RLMP-A037CBZZ	2-1-7	AM		
"	7-1-7	AM		
"	12-1-7	AM		
"	17-1-7	AM		
RMOTRA096CBZZ	2-1-6	BE		
"	7-1-6	BE		

PARTS CODE	No.	PRICE RANK	NEW MARK	PART RANK
"	12-1-6	BE		
"	17-1-6	BE		
RSTT-A179CBZZ	1-1-12	AR		
"	6-1-12	AR		
"	11-1-12	AR		
"	16-1-12	AR		
<b>【 S 】</b>				
SPADBA384CBFZ	5-90-40	AM		
"	10-90-40	AM		
"	15-90-40	AM		
"	20-90-40	AM		
SPADBA385CBFZ	5-90-41	AN		
"	10-90-41	AN		
"	15-90-41	AN		
"	20-90-41	AN		
SPADBA440CBZZ	5-90-46	AK		
"	10-90-46	AK		
"	15-90-46	AK		
"	20-90-46	AK		
SPADBA624CBFZ	15-90-42	AN		
"	20-90-42	AN		
SPADBA625CBFZ	15-90-43	AN		
"	20-90-43	AN		
SPADBA626CBFZ	15-90-49	AS		
"	20-90-49	AS		
SPADBA627CBFZ	5-90-47	AM		
"	10-90-47	AM		
"	15-90-47	AM		
"	20-90-47	AM		
SPADBA628CBZZ	5-90-45	AK		
"	10-90-45	AK		
"	15-90-45	AK		
"	20-90-45	AK		
SPADBA684CBFZ	5-90-42	AF		
"	10-90-42	AF		
SPADBA685CBFZ	5-90-43	AF		
"	10-90-43	AF		
SPADBA686CBFZ	5-90-49	AX		
"	10-90-49	AX		
SPAKCA628CBZZ	10-90-3	BB		
"	20-90-3	BB		
SPAKCA629CBZZ	5-90-3	BB		
"	15-90-3	BB		
SSAKHA015CBZZ	5-90-50	AF		
"	10-90-50	AF		
"	15-90-50	AF		
"	20-90-50	AF		
SSAKHA050CBZZ	5-90-51			
"	15-90-51			
SSAKHA051CBZZ	10-90-51			
"	20-90-51			
<b>【 T 】</b>				
TiNS-B191CBRZ	5-90-1	AS		
"	10-90-1	AS		
"	15-90-1	AS		
"	20-90-1	AS		
TLAB-A811CBR0	5-90-15	AF		
"	10-90-15	AF		
"	15-90-15	AF		
"	20-90-15	AF		
TLAB-A876CBRZ	2-90-2	AC		
"	7-90-2	AC		
"	12-90-2	AC		
"	17-90-2	AC		
TLAB-B220CBRZ	4-90-33	AE		
"	9-90-33	AE		
"	14-90-33	AE		
"	19-90-33	AE		
TLAB-B290CBRZ	5-90-29	AF		
"	10-90-29	AF		
"	15-90-29	AF		
"	20-90-29	AF		
TLAB-B396CBRZ	5-90-21	AG		
"	10-90-21	AG		
"	15-90-21	AG		
"	20-90-21	AG		
TLAB-C396CBRZ	20-90-12	AP		
<b>【 U 】</b>				
UPOKPA251CBFE	4-5-10	AG		
"	9-5-10	AG		
"	14-5-10	AG		
"	19-5-10	AG		

SJGC480VSL

PARTS CODE	No.	PRICE RANK	NEW MARK	PART RANK
UPOKPA318CBFB	4-5-3	AM		
"	9-5-3	AM		
"	14-5-3	AM		
"	19-5-3	AM		
UPOKPA319CBFB	4-5-5	AK		
"	9-5-5	AK		
"	14-5-5	AK		
"	19-5-5	AK		
UPOKPA320CBFB	4-5-6	AM		
"	9-5-6	AM		
"	14-5-6	AM		
"	19-5-6	AM		
UPOKPA321CBFB	4-5-9	AQ		
"	9-5-9	AQ		
"	14-5-9	AQ		
"	19-5-9	AQ		
UPOKPA322CBFB	9-5-8	AM		
"	19-5-8	AM		
USRA-A318CBFA	1-2-70	AP		
"	6-2-70	AP		
"	11-2-70	AP		
"	16-2-70	AP		
UTNA-A282CBFC	4-5-7	AF		
"	9-5-7	AF		
"	14-5-7	AF		
"	19-5-7	AF		
UTNA-A461CBFB	4-5-12	AX		
"	9-5-12	AX		
"	14-5-12	AX		
"	19-5-12	AX		
UYOK-A579CBFB	4-5-14	AN		
"	9-5-14	AN		
"	14-5-14	AN		
"	19-5-14	AN		
UYOK-A585CBFB	4-5-16	AX		
"	9-5-16	AX		
"	14-5-16	AX		
"	19-5-16	AX		
UYOK-A586CBFB	4-5-21	BA		
"	9-5-21	BA		
"	14-5-21	BA		
"	19-5-21	BA		

# SHARP

COPYRIGHT © 2011 BY SHARP CORPORATION

ALL RIGHTS RESERVED.

No part of this publication may be reproduced, stored in retrieval systems, or transmitted in any form or by any means, electronic, mechanical, photocopying, recording, or other wise, without prior written permission of the publisher.

SHARP CORPORATION

35CSKE/35CSUE/39CSKE/39CSUE/

35DSQE/35DSUE/35DSTE/39DSQE/39DSUE/39DSTE