

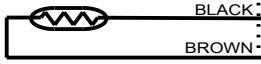
# MAINBOARD<sup>+12</sup>

## BD67



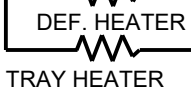
(OPTIONAL)  
AC IONIZER

AMBIENT  
SENSOR



AT  
5V

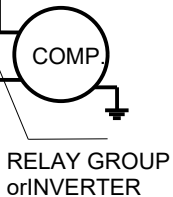
BALANCE HEATER



TRAY HEATER

FUSE

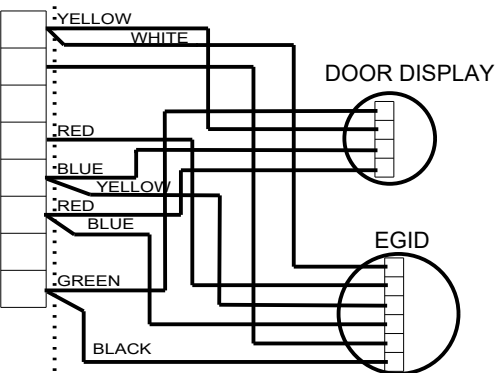
COMP  
L  
N



RELAY GROUP  
or INVERTER

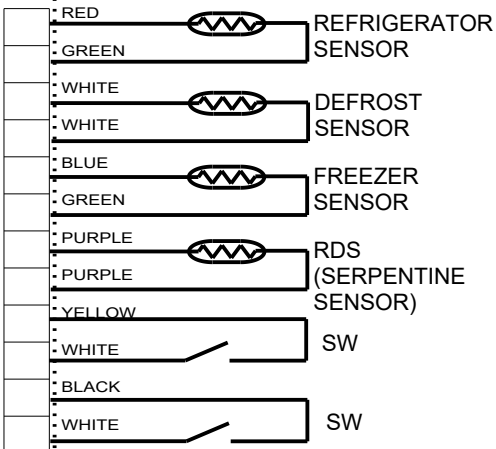


TX  
RX  
GND



DOOR DISPLAY

EGID



REFRIGERATOR  
SENSOR

DEFROST  
SENSOR

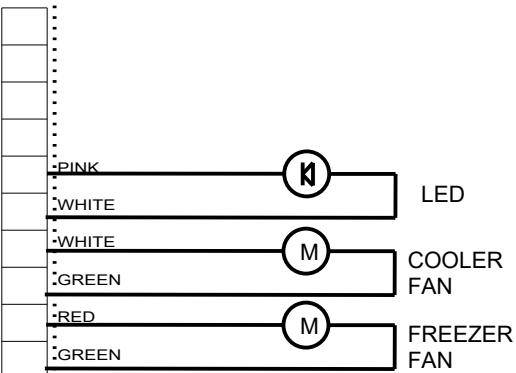
FREEZER  
SENSOR

RDS  
(SERPENTINE  
SENSOR)

SW

SW

COND FAN  
+12V  
LED  
+12V  
REF FAN  
+12V  
FRE FAN  
+12V



LED

COOLER  
FAN

FREEZER  
FAN