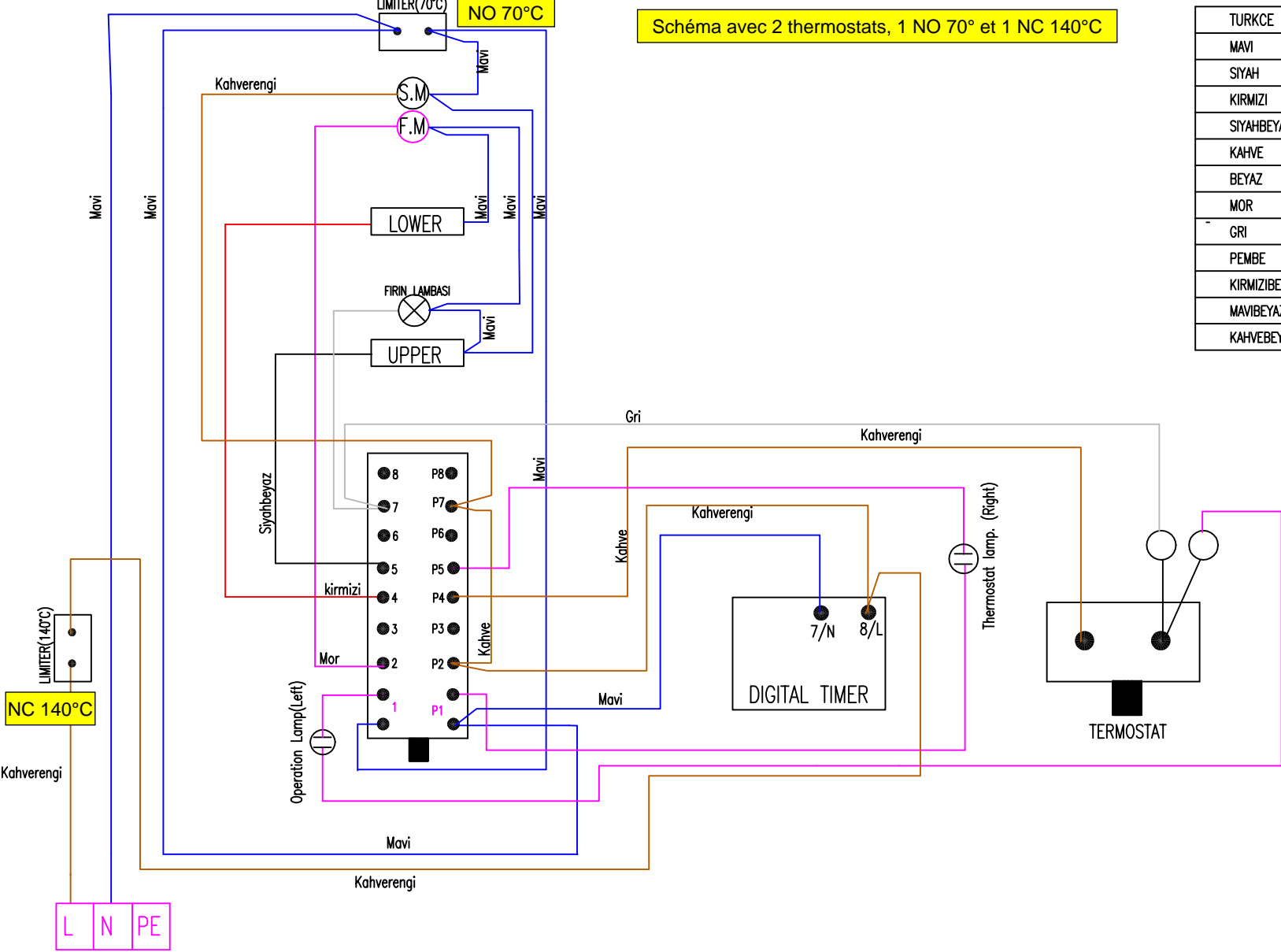


Schéma avec 2 thermostats, 1 NO 70°C et 1 NC 140°C

TURKCE	ENGLISH
MAVI	BLUE
SIYAH	BLACK
KIRMIZI	RED
SIYAHBEYAZ	BLACKWHITE
KAHVE	BROWN
BEYAZ	WHITE
MOR	PURPLE
GRI	GREY
PEMBE	PINK
KIRMIZIBEYAZ	REDWHITE
MAVIBEYAZ	BLUEWHITE
KAHVEBEYAZ	BROWNWHITE



LIMITER(140°C)
NC 140°C

NO 70°C

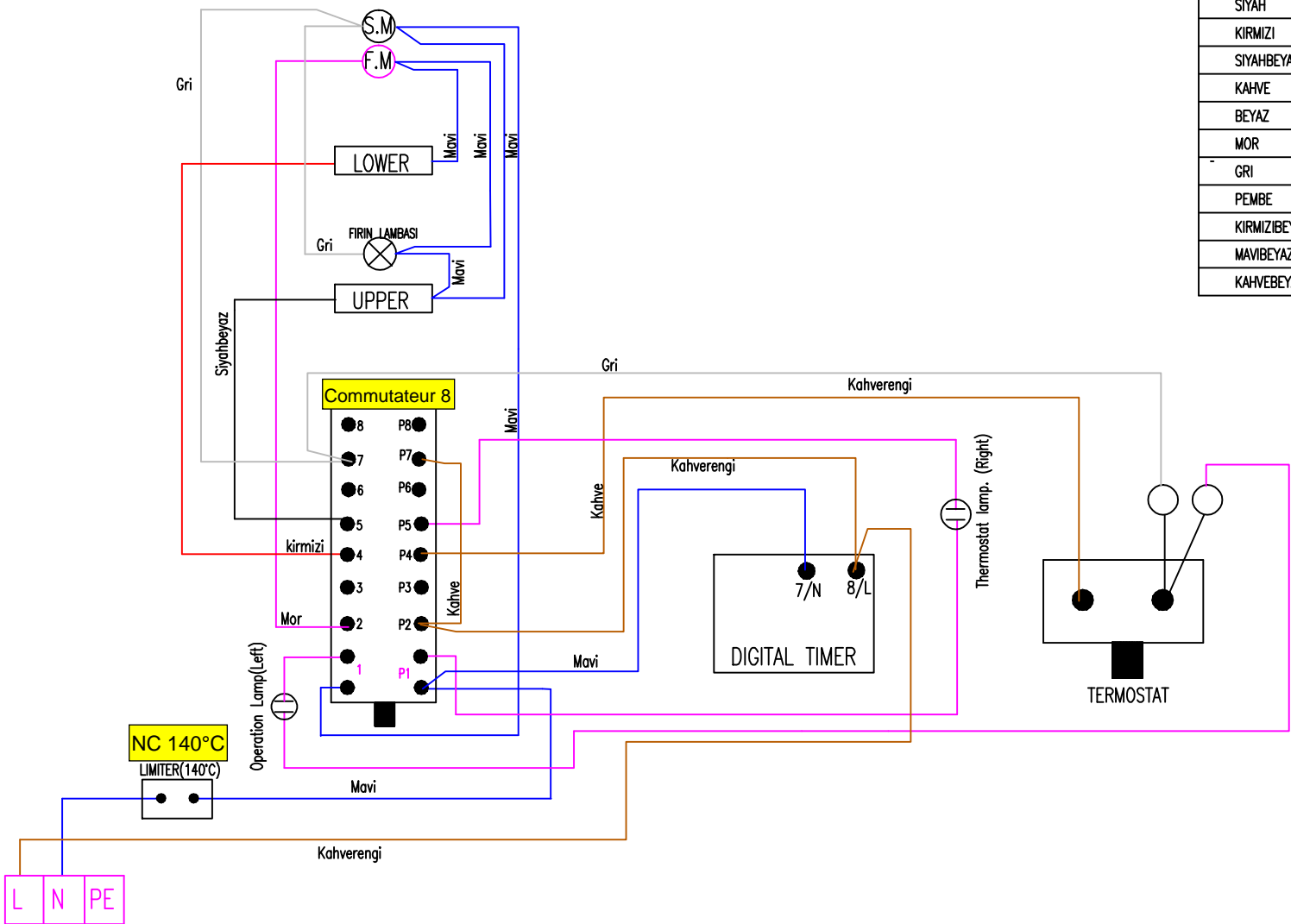
L N PE

DIGITAL TIMER
7/N 8/L

TERMOSTAT

SCHEMA avec 1 Thermostat NC 140°C

TURKCE	ENGLISH
MAVI	BLUE
SIYAH	BLACK
KIRMIZI	RED
SIYAHBEYAZ	BLACKWHITE
KAHVE	BROWN
BEYAZ	WHITE
MOR	PURPLE
GRI	GREY
PEMBE	PINK
KIRMIZIBEYAZ	REDWHITE
MAVIBEYAZ	BLUEWHITE
KAHVEBEYAZ	BROWNWHITE



SCHEMA avec 1 Thermostat NC 140°C

TURKCE	ENGLISH
MAVI	BLUE
SIYAH	BLACK
KIRMIZI	RED
SIYAHBEYAZ	BLACKWHITE
KAHVE	BROWN
BEYAZ	WHITE
MOR	PURPLE
GRI	GREY
PEMBE	PINK
KIRMIZIBEYAZ	REDWHITE
MAVIBEYAZ	BLUEWHITE
KAHVEBEYAZ	BROWNWHITE

