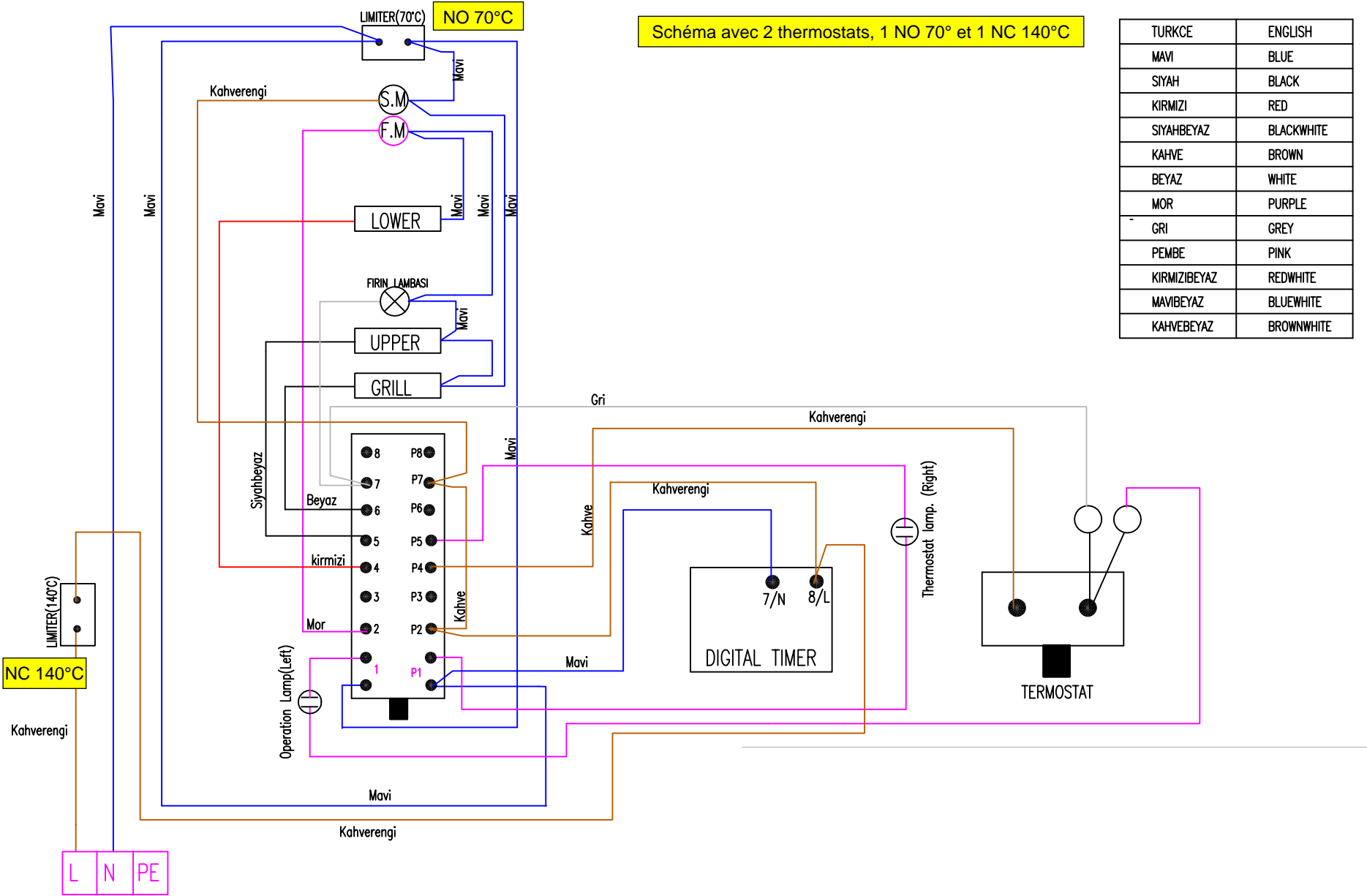


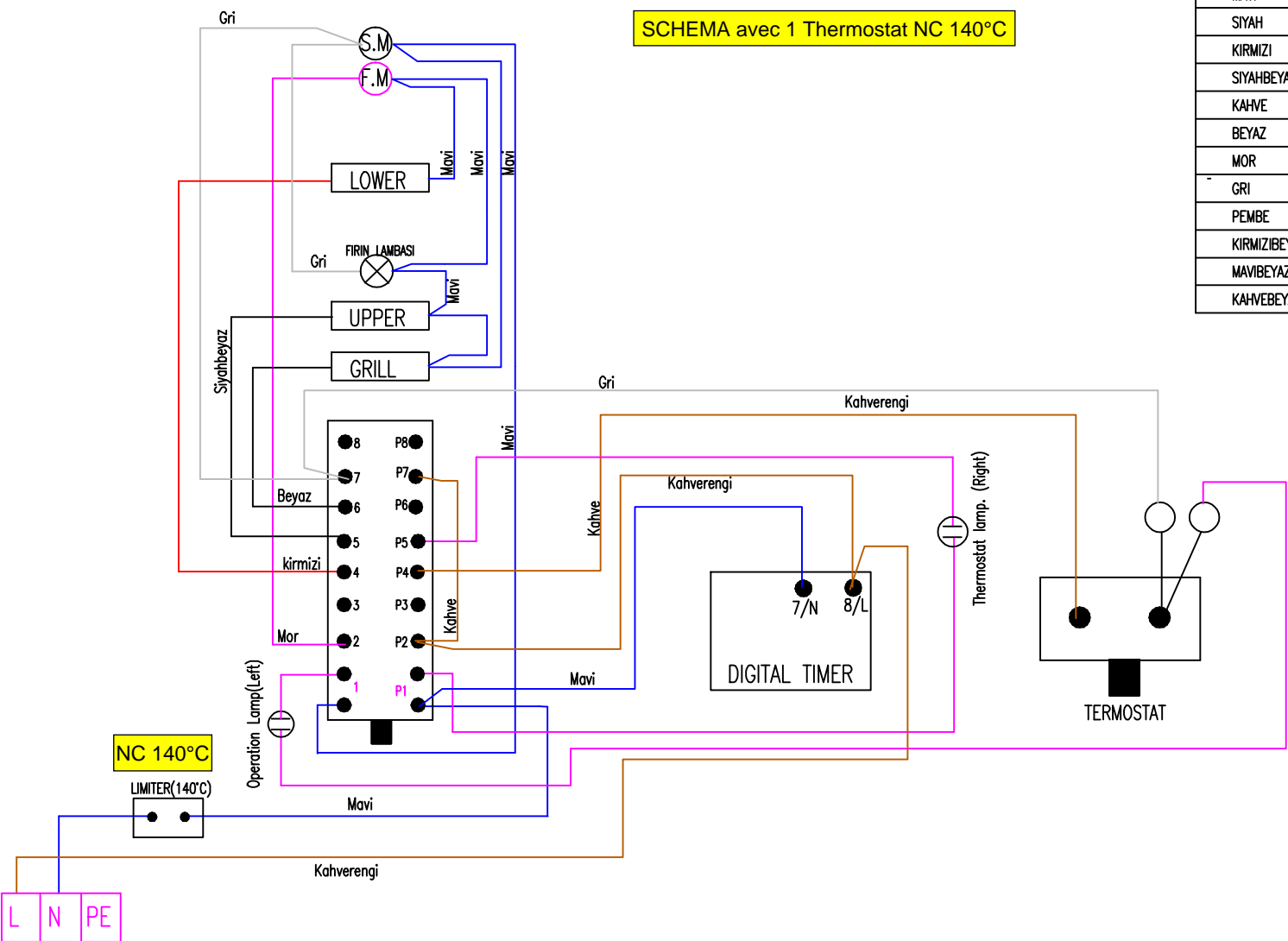
Schéma avec 2 thermostats, 1 NO 70°C et 1 NC 140°C

TURKCE	ENGLISH
MAVI	BLUE
SIYAH	BLACK
KIRMIZI	RED
SIYAHBEYAZ	BLACKWHITE
KAHVE	BROWN
BEYAZ	WHITE
MOR	PURPLE
GRI	GREY
PEMBE	PINK
KIRMIZIBEYAZ	REDWHITE
MAVIBEYAZ	BLUEWHITE
KAHVEBEYAZ	BROWNWHITE



SCHEMA avec 1 Thermostat NC 140°C

TURKCE	ENGLISH
MAVI	BLUE
SIYAH	BLACK
KIRMIZI	RED
SIYAHBEYAZ	BLACKWHITE
KAHVE	BROWN
BEYAZ	WHITE
MOR	PURPLE
GRI	GREY
PEMBE	PINK
KIRMIZIBEYAZ	REDWHITE
MAVIBEYAZ	BLUEWHITE
KAHVEBEYAZ	BROWNWHITE

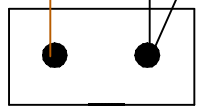


NC 140°C

LIMITER(140°C)

L N PE

DIGITAL TIMER



TERMOSTAT

Thermostat lamp. (Right)

Operation Lamp(Left)

Mavi

Kahverengi

Gri

Kahverengi

Kahverengi

Kahve

Mavi

Kahve

Mavi

Mavi

Mavi

Mavi

Mavi

Gri

Gri

Siyahbeyaz

S.M

F.M

LOWER

FIRIN LAMBASI

UPPER

GRILL

Beyaz

kirmizi

Mor

P1

P2

P3

P4

P5

P6

P7

P8