

A- Changing The Door Swing Direction to Right Hand

1- Unscrew the two screws which are fixing the middle hinge and remove the two middle hinge screw caps (big). (Fig-1)

2- Dismantle the refrigerator and freezer door from cabinet by pulling towards to you together with the middle hinge. (Fig-2)

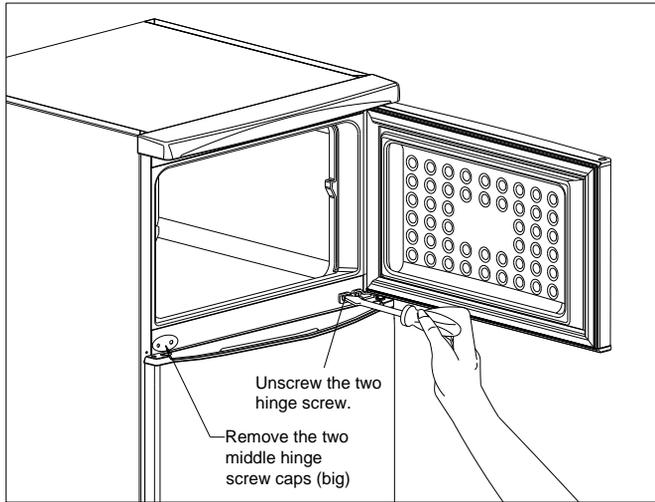


Figure-1

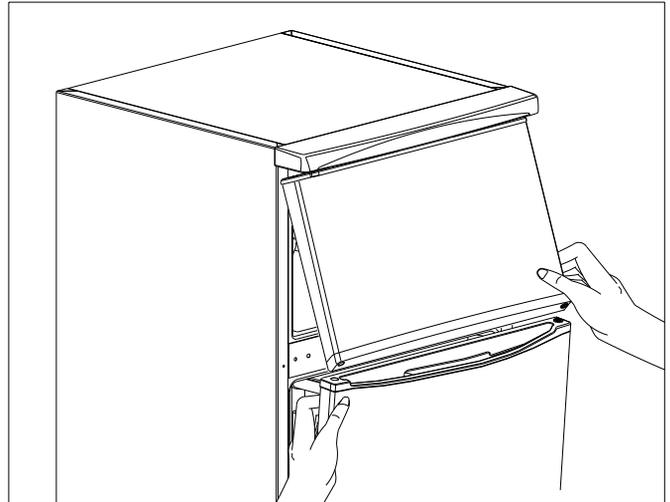


Figure-2

3- Lie down the appliance to the left side. Dismantle both leveling feet and unscrew the bottom hinge fixing screws and remove it. (Fig-3) Unscrew the bottom hinge pin and screw in the next hole.(Fig-4) Then screw the hinge to left side of the refrigerator. Screw the both leveling feet.

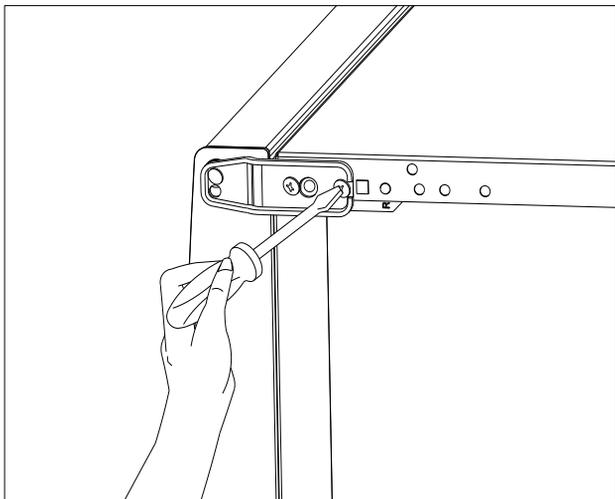


Figure-3

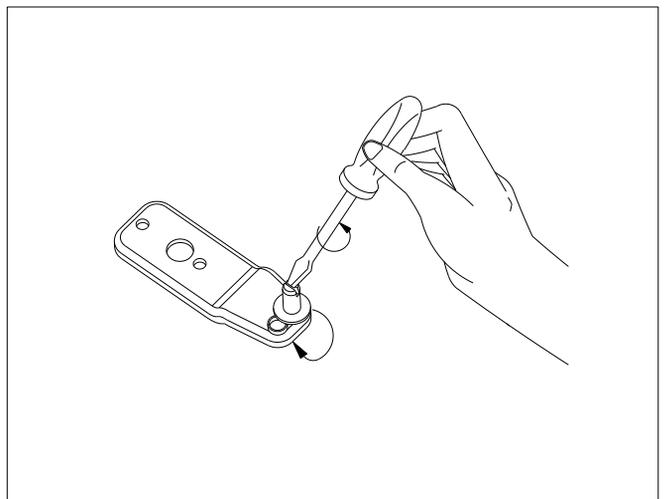


Figure-4

4- Place the two middle hinge screw caps (big) as shown in the figure. (Fig-5) You can find the new caps in the user manual bag.

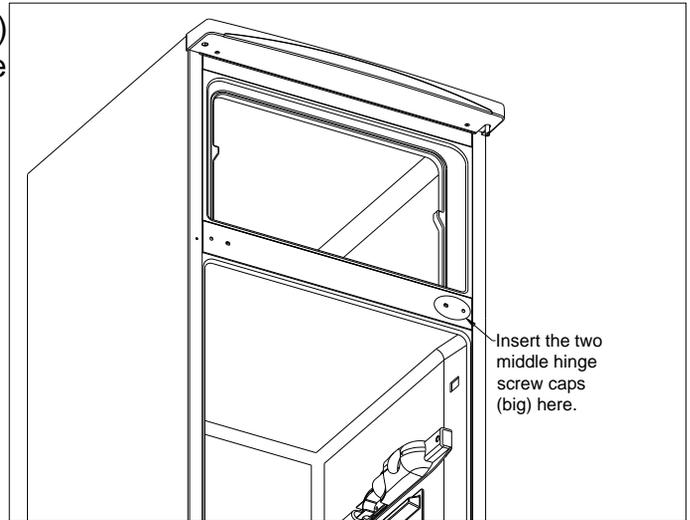


Figure-5

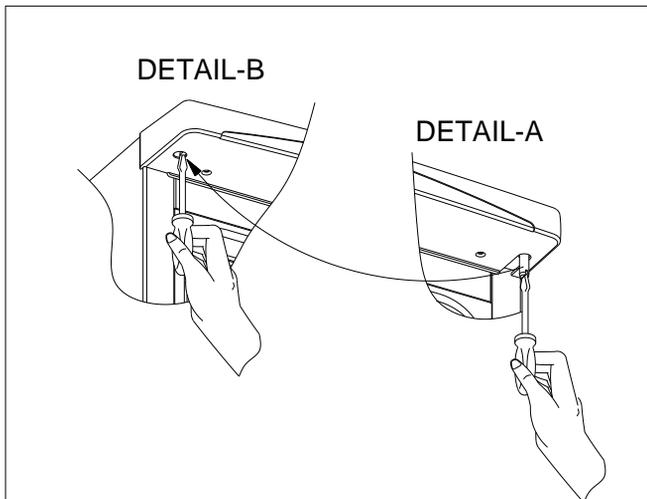


Figure-6

6- Replace the top bushing and top bushing cap. (Fig-7)
(You can use the bushing cap that is put in the user manual)
Remove the bottom bushing and bottom stopper and assemble them to the left hole. (Fig-7)

5- Unscrew the pin on the right. (Fig-6/Detail-A) and screw it to the left. (Fig-6/Detail-B)

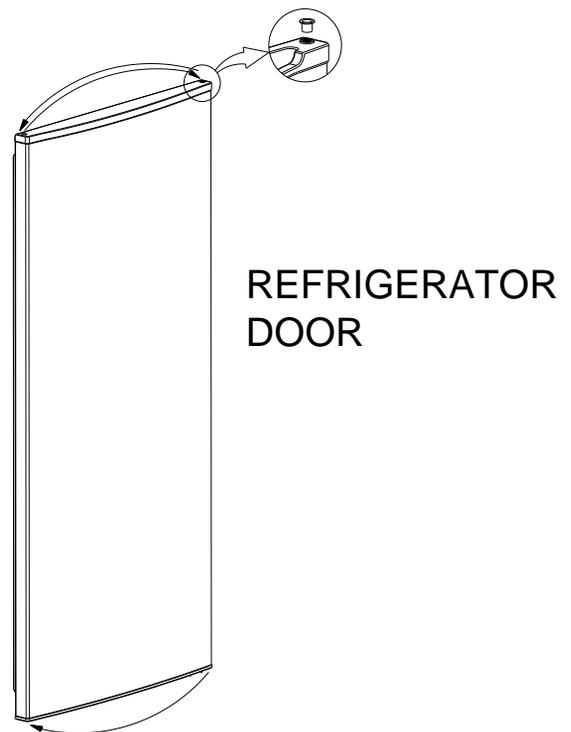


Figure-7

7- Replace the top bushing and top bushing cap. (Fig-8)
Remove the bottom bushing assemble it to the left hole. (Fig-8)

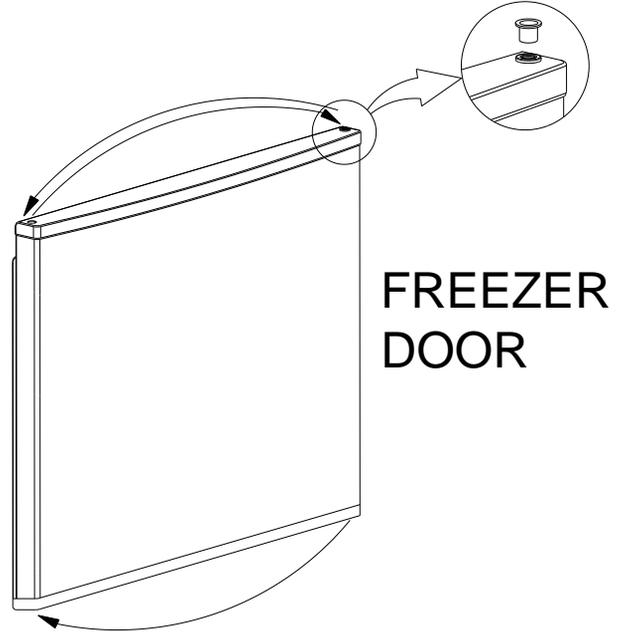


Figure-8

8- Turn the middle hinge 180°. Assemble the freezer door and refrigerator door together with middle hinge. (Reverse operation of item 2) Fix the middle hinge by tightening the screws. (Fig-9)

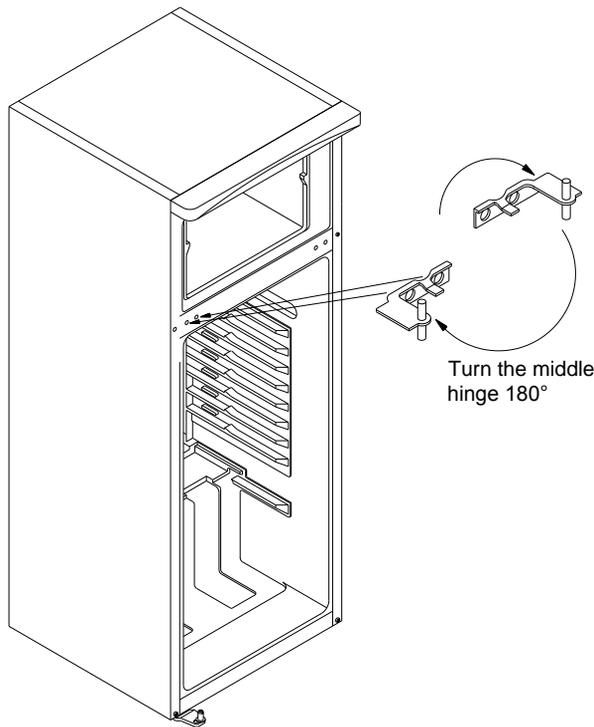


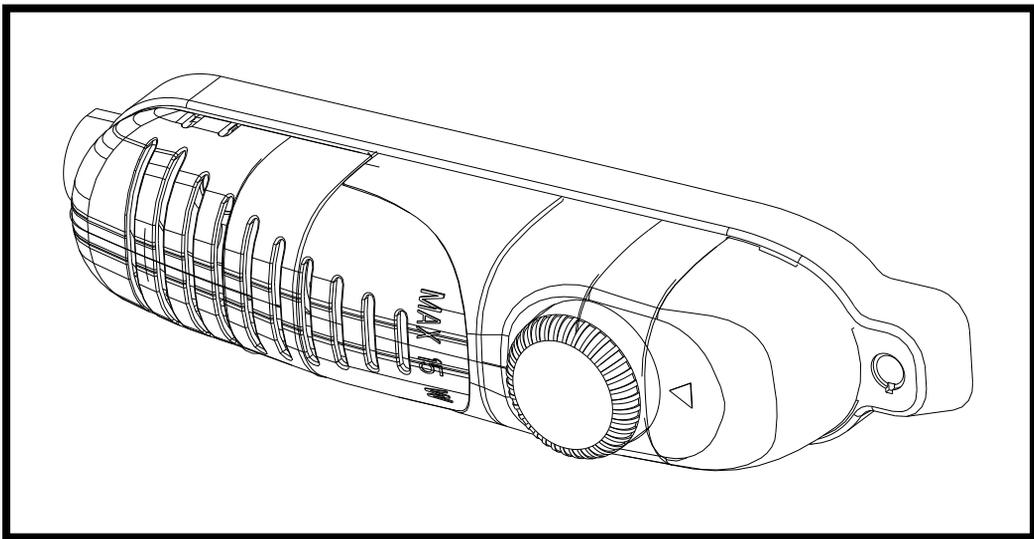
Figure-9

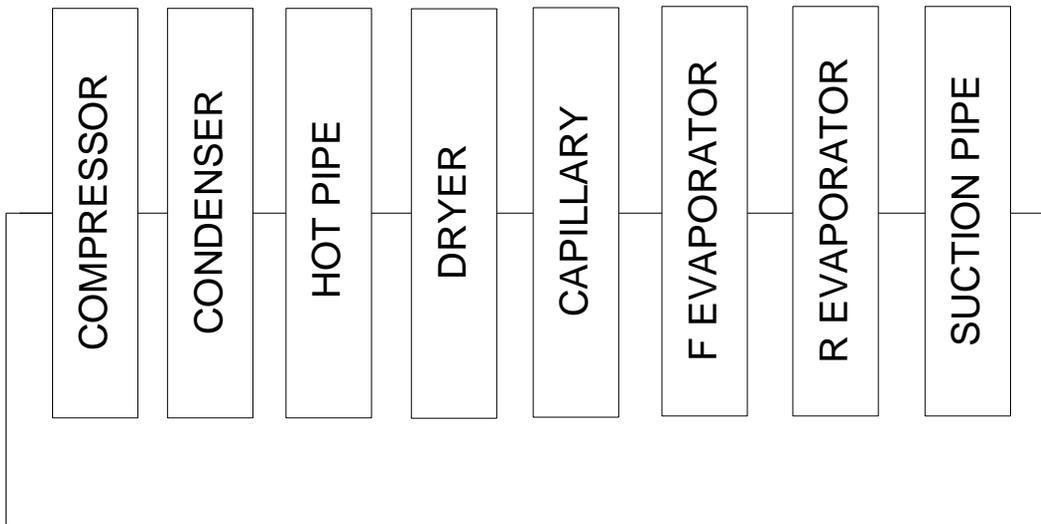
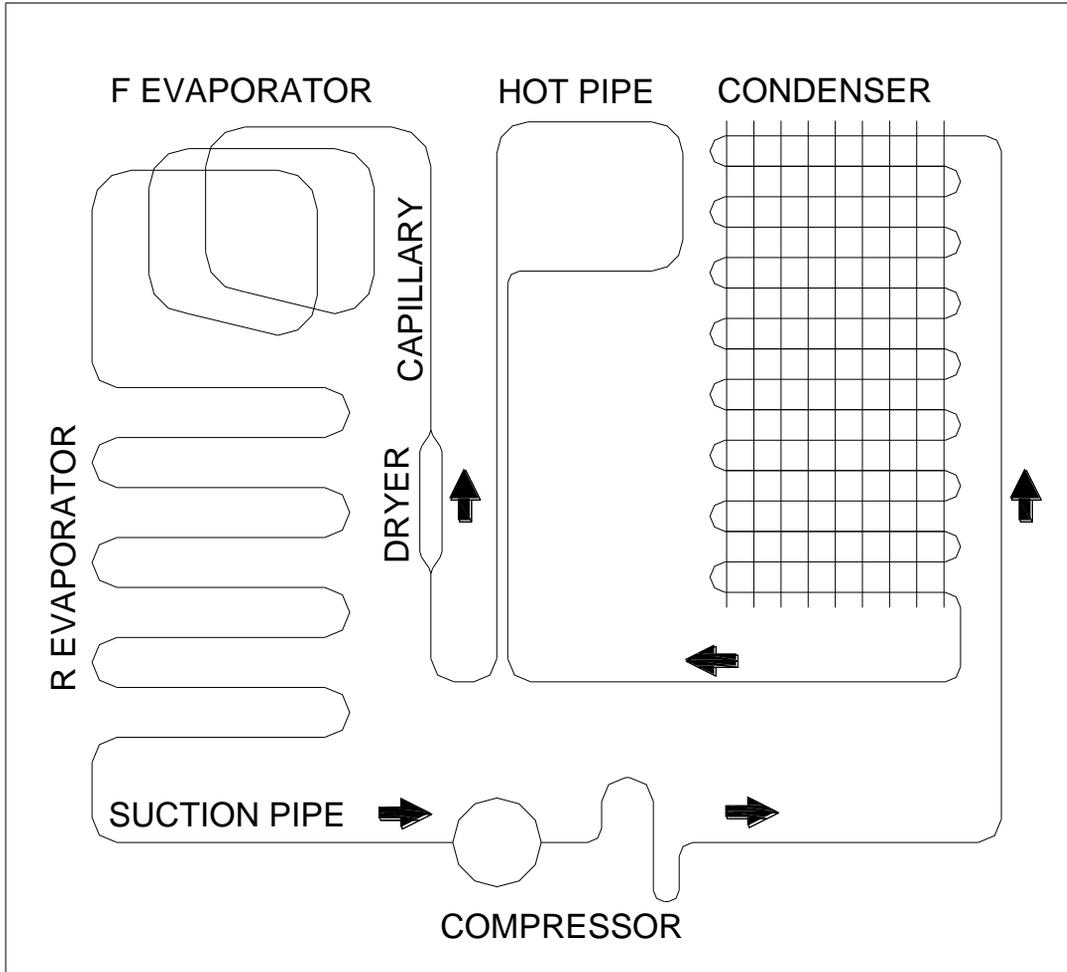
B - Changing The Thermostat :

- 1) Remove the lamp cover and unscrew the fixing screw.
- 2) Remove the screw cap and unscrew the fixing screw.
- 3) Remove the thermostat box by pulling it and disconnecting the wire connector.
- 4) Remove the thermostat knob by pulling forward. Loosen the nut fixing the thermostat.
- 5) Pull out the thermostat bulb from the housing.
- 6) Replace the thermostat with a new one and assemble the thermostat box following the steps backwards.

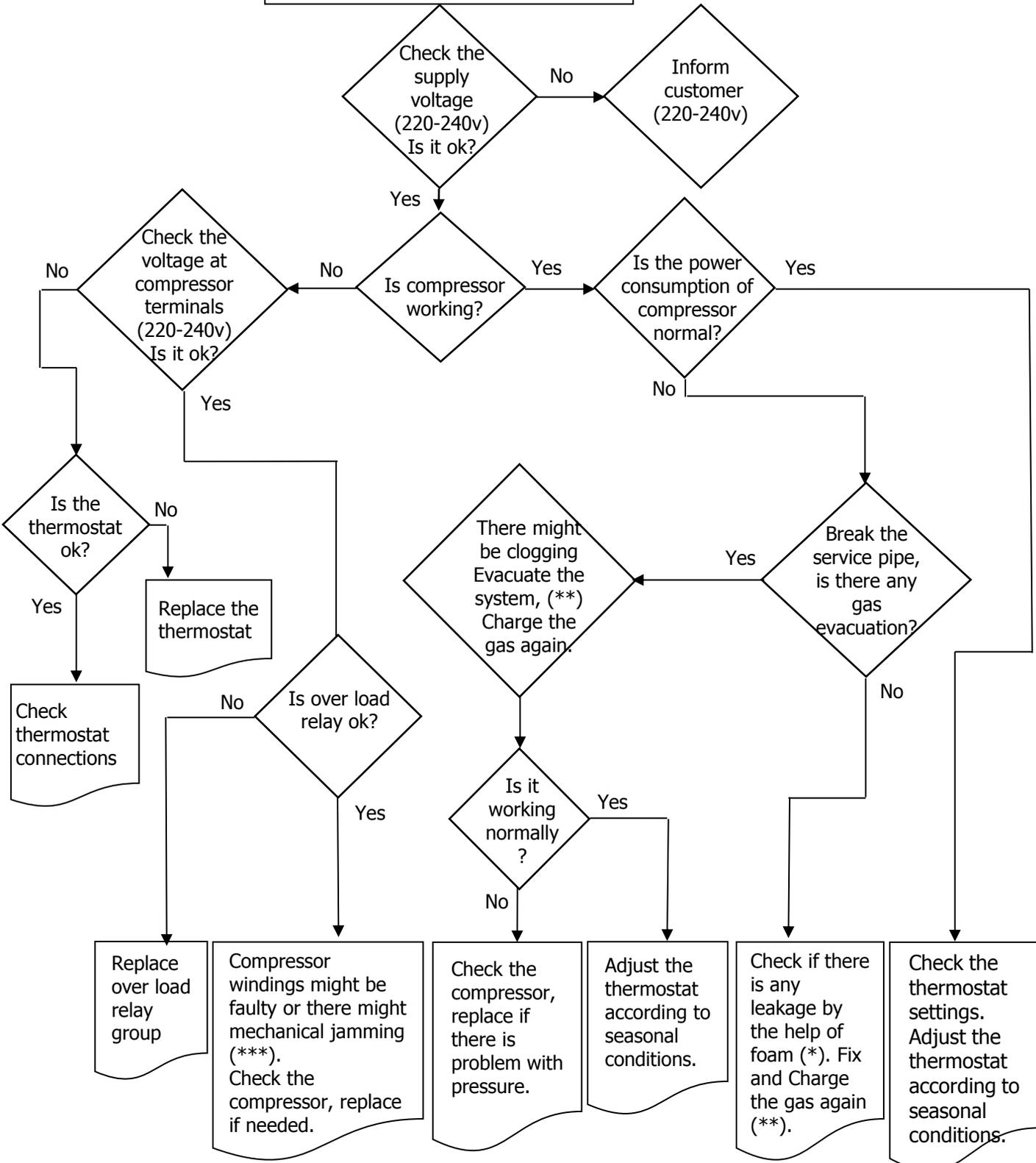
C - Thermostat Knob

- This knob is used to control the temperature of the freezer and refrigerator parts automatically. It can be set to any value between “0” and “5” positions.
- “ 0 ” position indicates that the thermostat is “off”. The refrigerator is “off” on this setting.
- By turning the knob between “1” and “5”, you can increase or decrease the cooling degree.
- The refrigerator is designed to get optimum performance when the thermostat knob is set between position “2” to “4”.





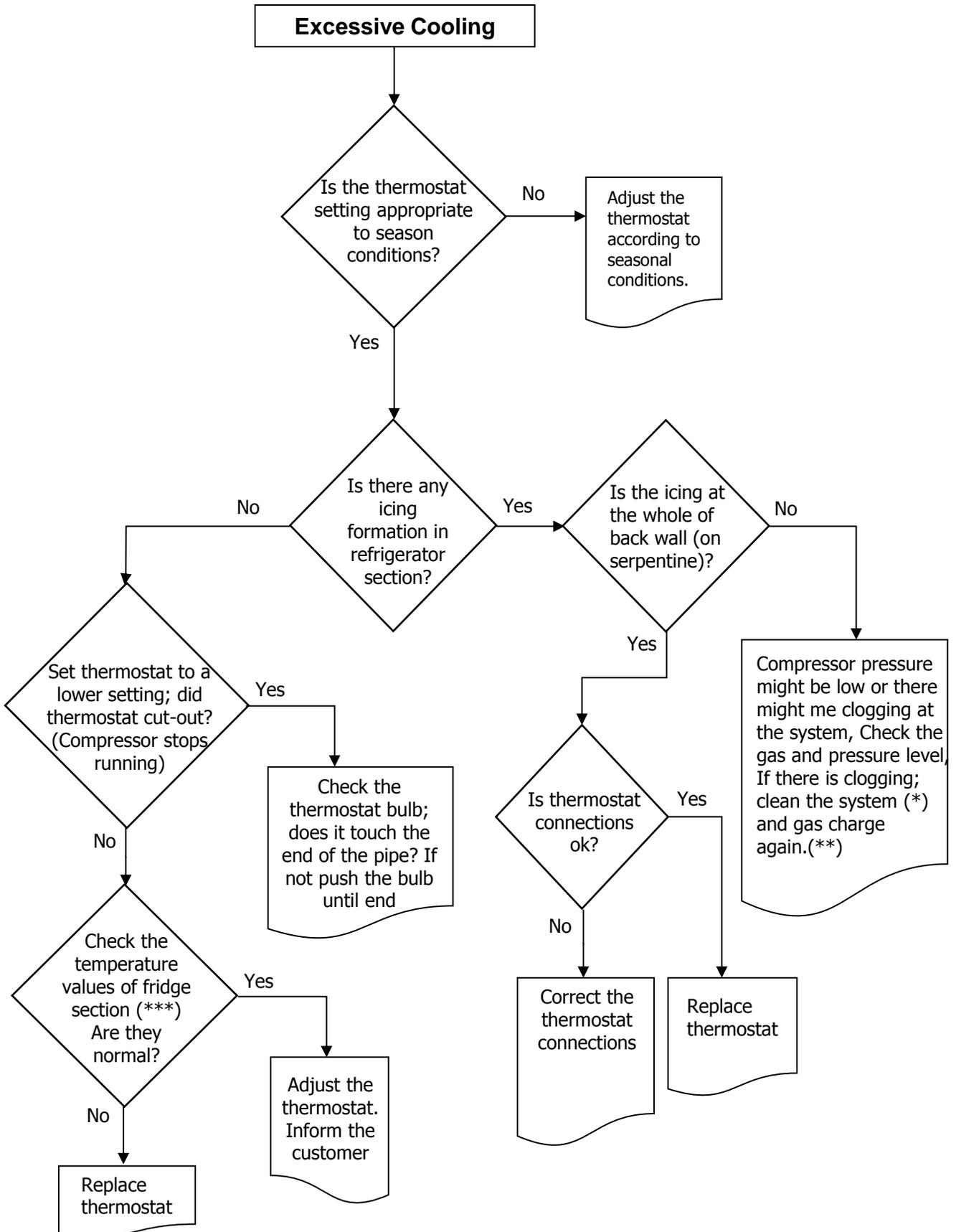
No/Insufficient cooling



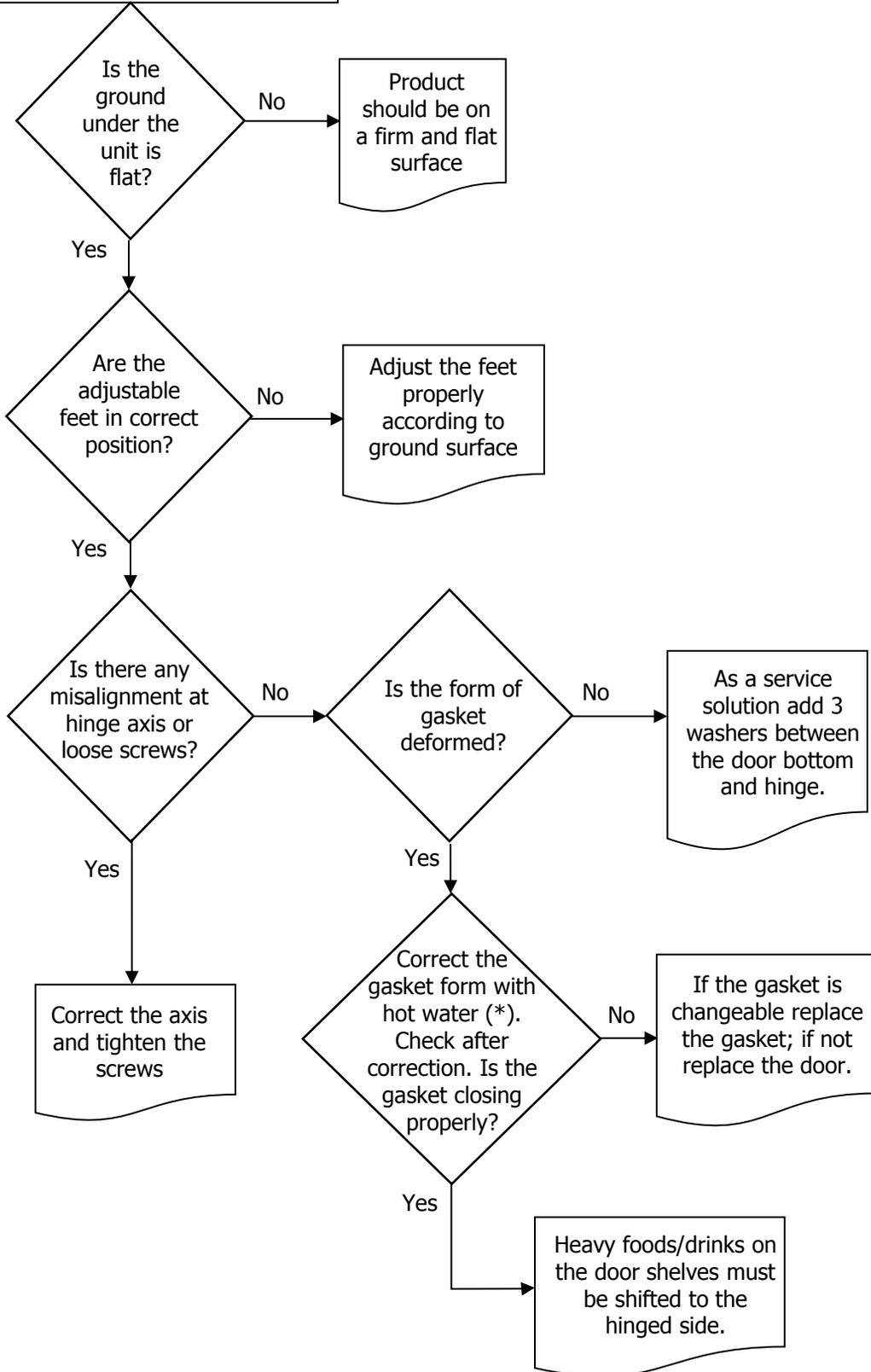
(*) Check all pipes, tubes and welding points against gas leakage. (**) Before charging gas to system, change dryer and vacuum at least 30 minutes, then charge the system with amount written on label (***) Compressor primary winding should be around 10 Ω and secondary around 15 Ω (at 25°C ambience temp.)

TROUBLE-SHOOTING CHART

Excessive Cooling



Door/Gasket Adjustment



(*) Correct the gasket form by the help of hot water and hair dryer.

