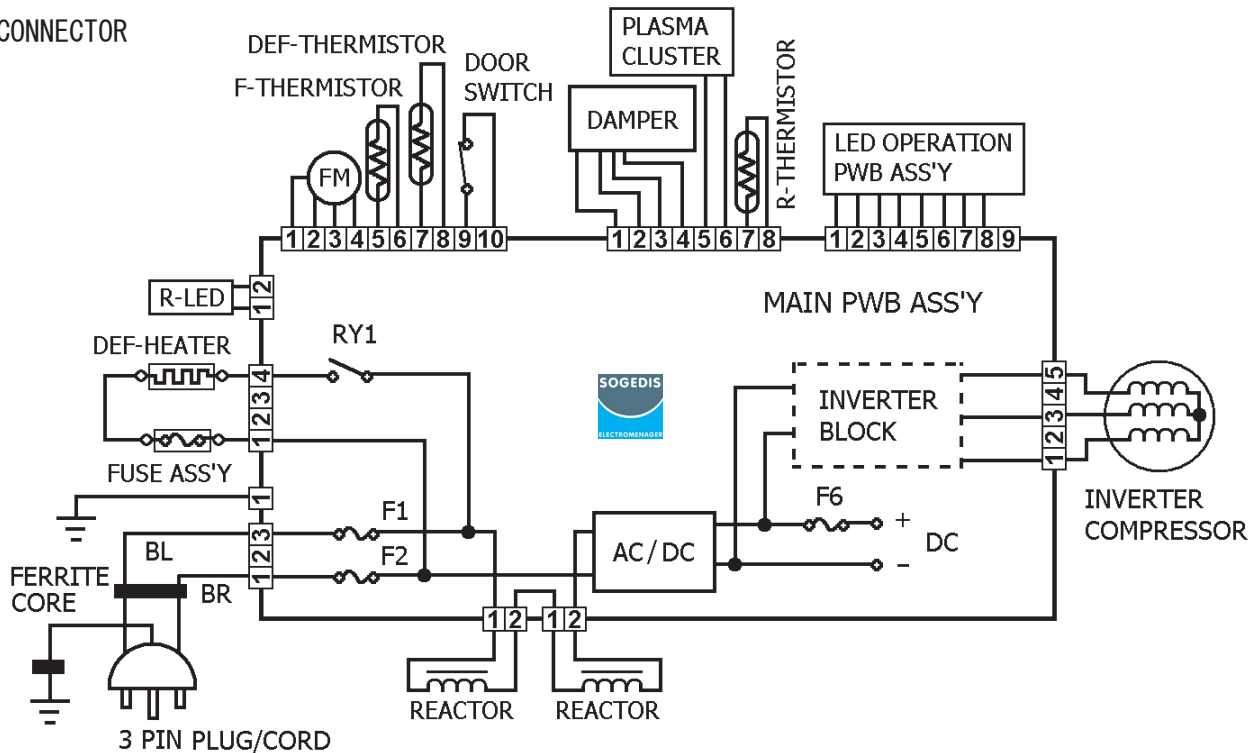
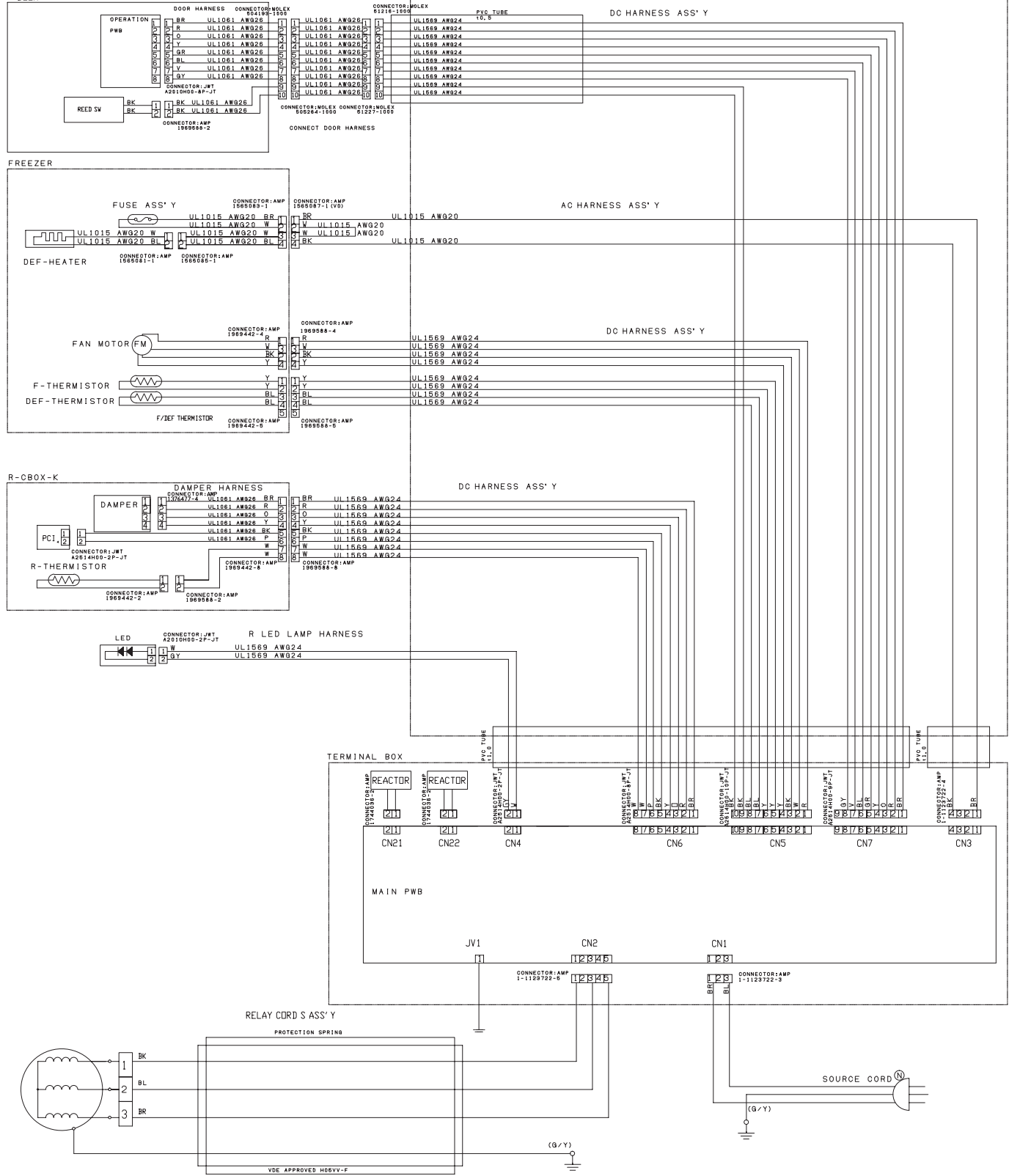


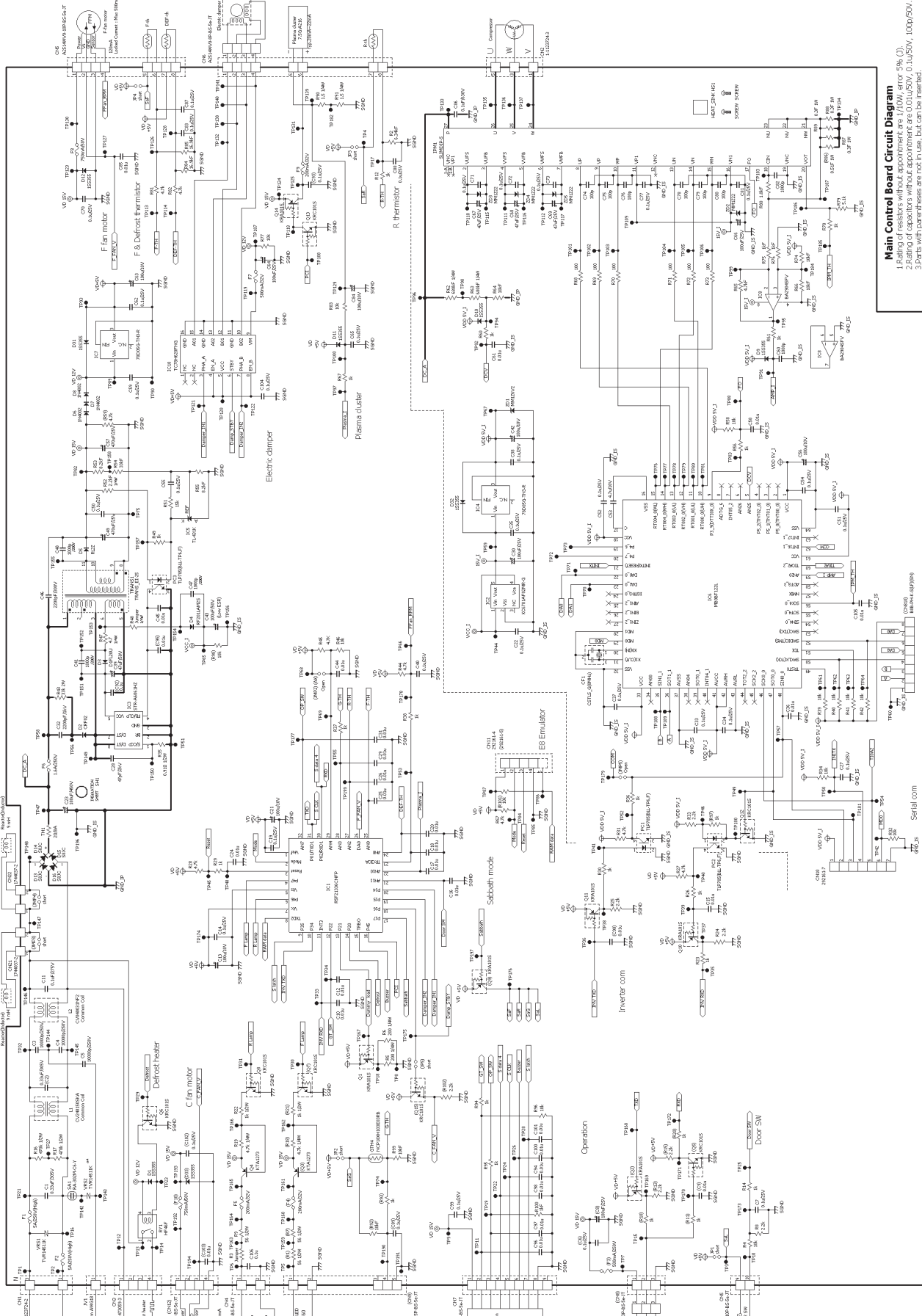
□ CONNECTOR





- BK : BLACK
- BR : BROWN
- R : RED
- O : ORANGE
- Y : YELLOW
- GR : GREEN
- BL : BLUE
- V : VIOLET
- GY : GRAY
- W : WHITE
- P : PINK
- SB : SKY-BLUE
- GY : GREEN/YELLOW STRIPE

AC SOURCE RATING
220-240V 50Hz



Main Control Board Circuit Diagram
 1. Rating of resistors without appointment are 1/10W, error 5% (D).
 2. Rating of capacitors without appointment are 0.01uF/50V, 0.1uF/50V, 100pF/50V.
 3. P.C.B with paper thickness are not in use, but can be inserted.