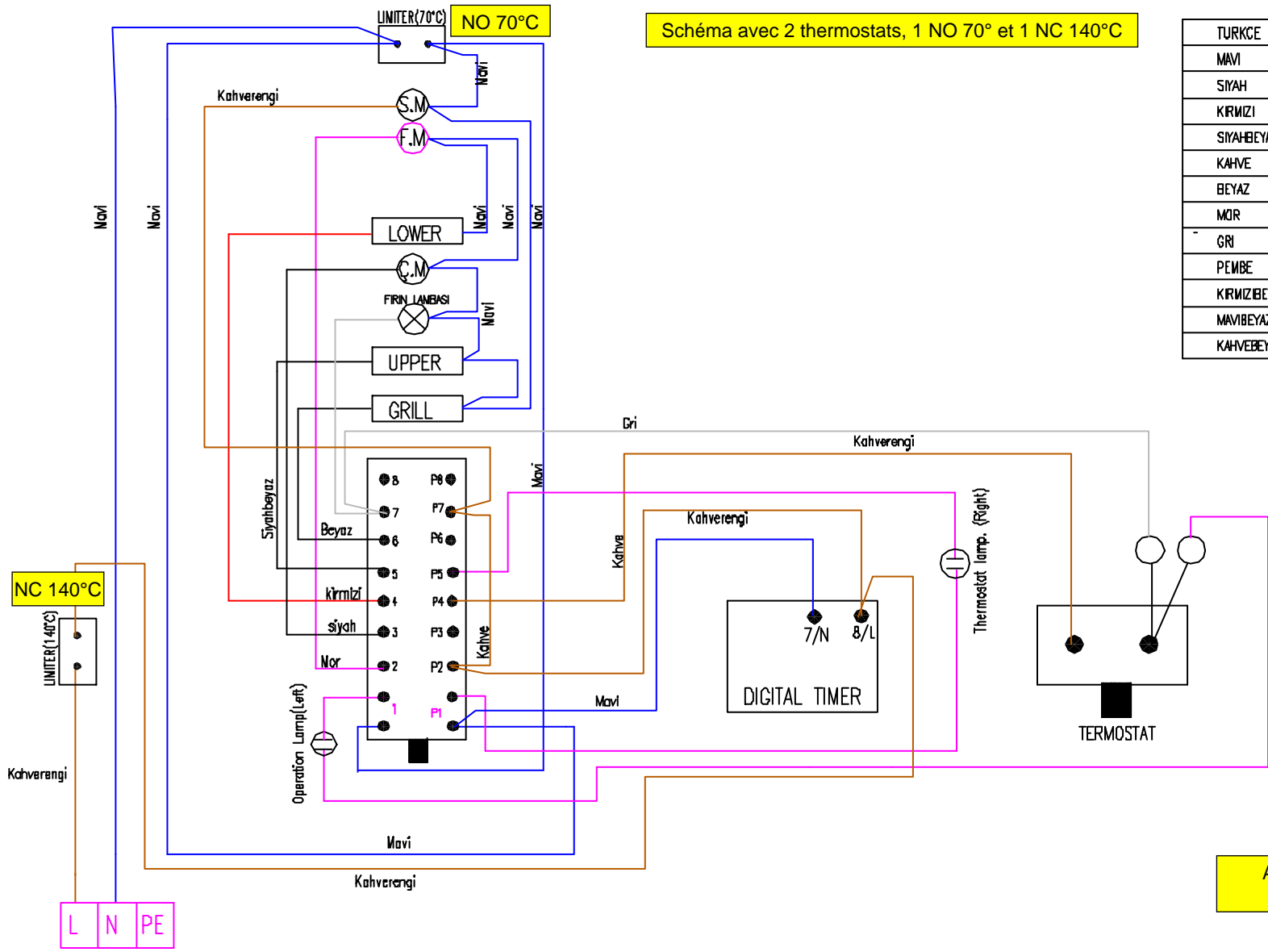


Schéma avec 2 thermostats, 1 NO 70°C et 1 NC 140°C

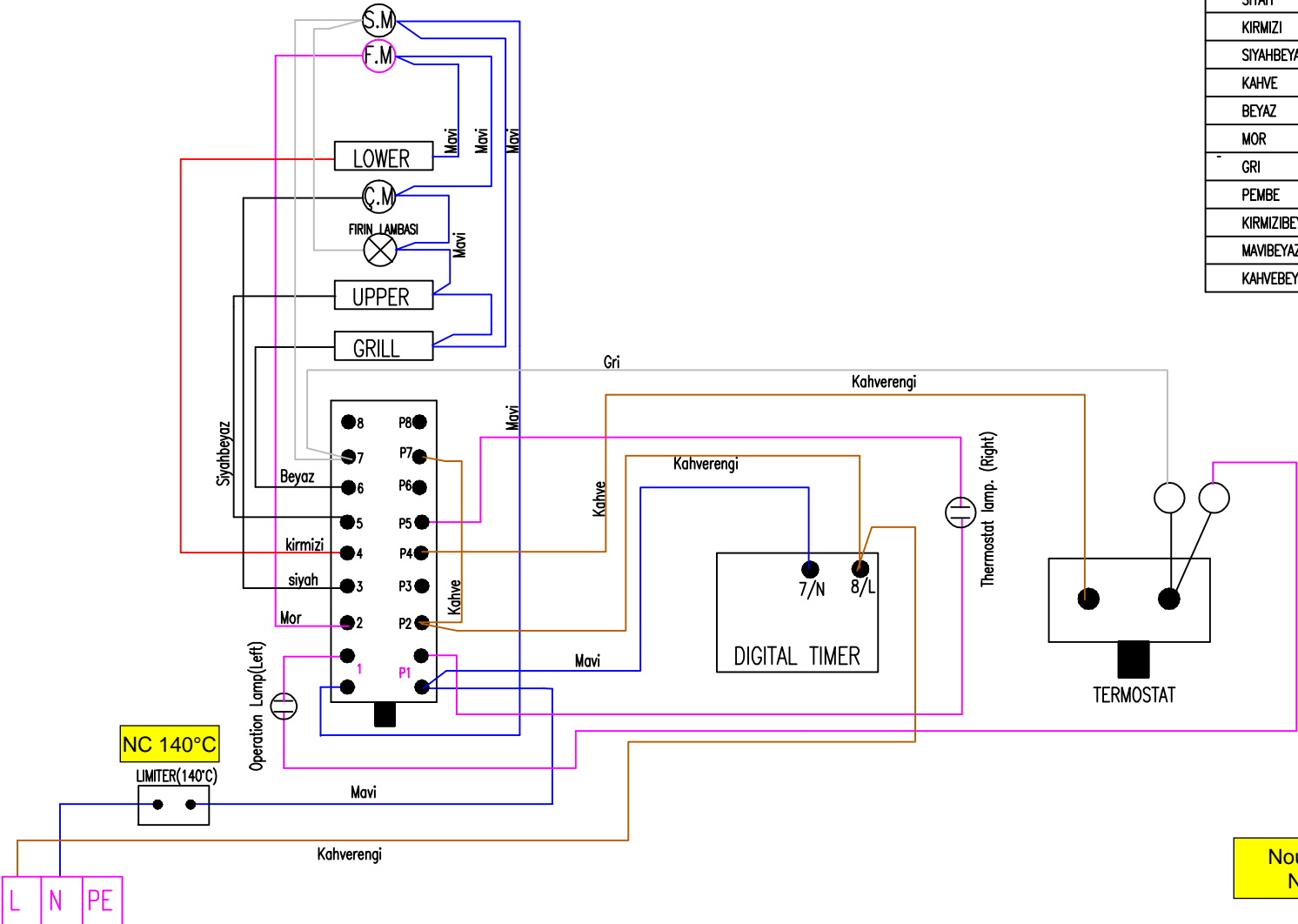
TURKCE	ENGLISH
MAVI	BLUE
SIYAH	BLACK
KIRMIZI	RED
SIYAHBEYAZ	BLACKWHITE
KAHVE	BROWN
BEYAZ	WHITE
MOR	PURPLE
GRİ	GREY
Pembe	PINK
KIRMIZIBEYAZ	REDWHITE
MAVIBEYAZ	BLUEWHITE
KAHVEBEYAZ	BROWNWHITE



Ancien schéma  
Old diagram

SCHEMA avec 1 Thermostat NC 140°C

TURKCE	ENGLISH
MAVI	BLUE
SIYAH	BLACK
KIRMIZI	RED
SIYAHBEYAZ	BLACKWHITE
KAHVE	BROWN
BEYAZ	WHITE
MOR	PURPLE
GRI	GREY
PEMBE	PINK
KIRMIZIBEYAZ	REDWHITE
MAVIBEYAZ	BLUEWHITE
KAHVEBEYAZ	BROWNWHITE



NC 140°C

LIMITER(140°C)

L N PE

Nouveau schéma  
New diagram