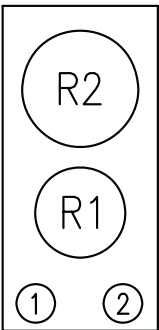
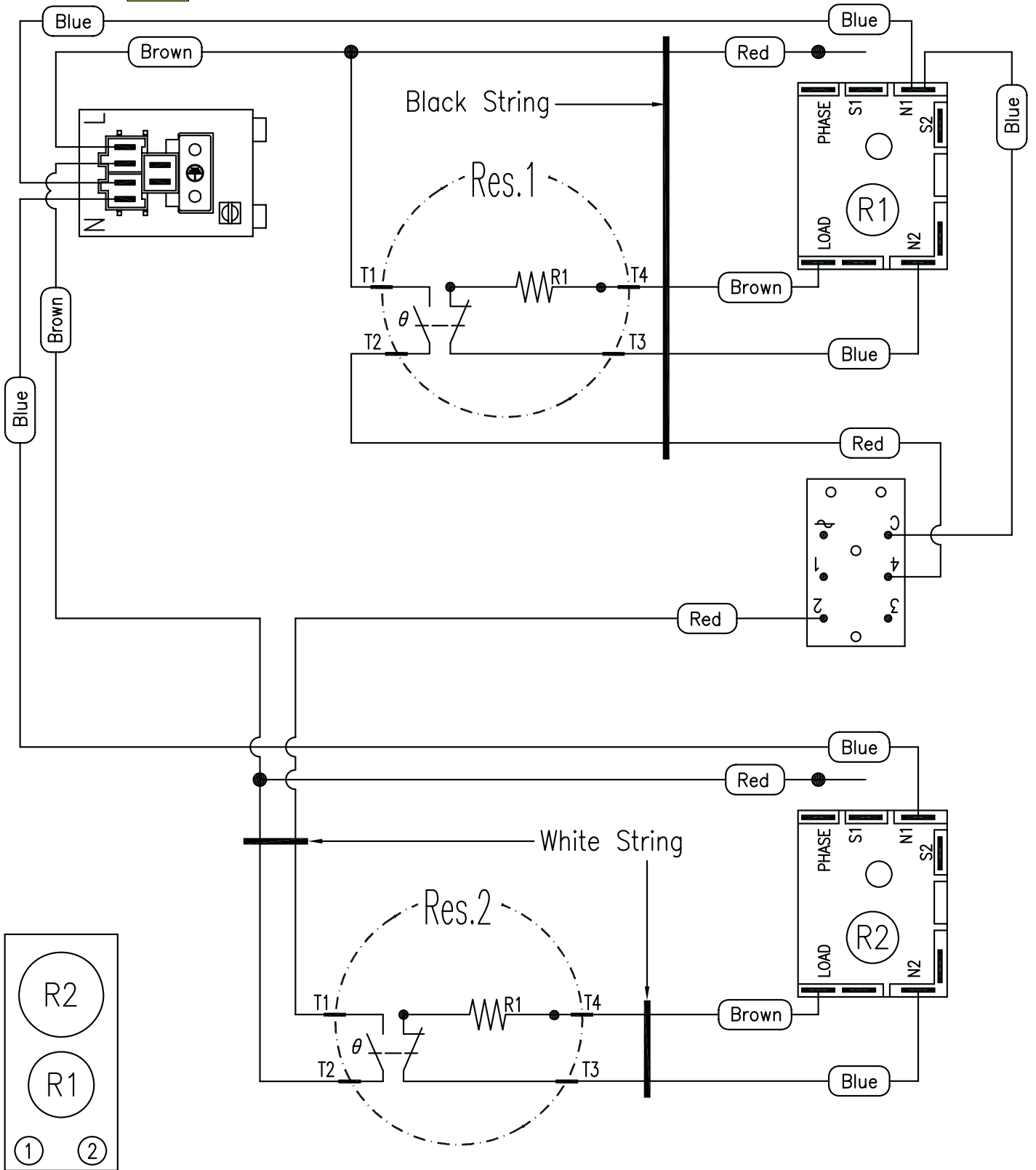
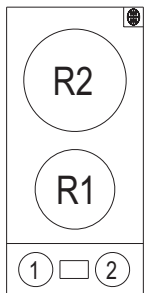
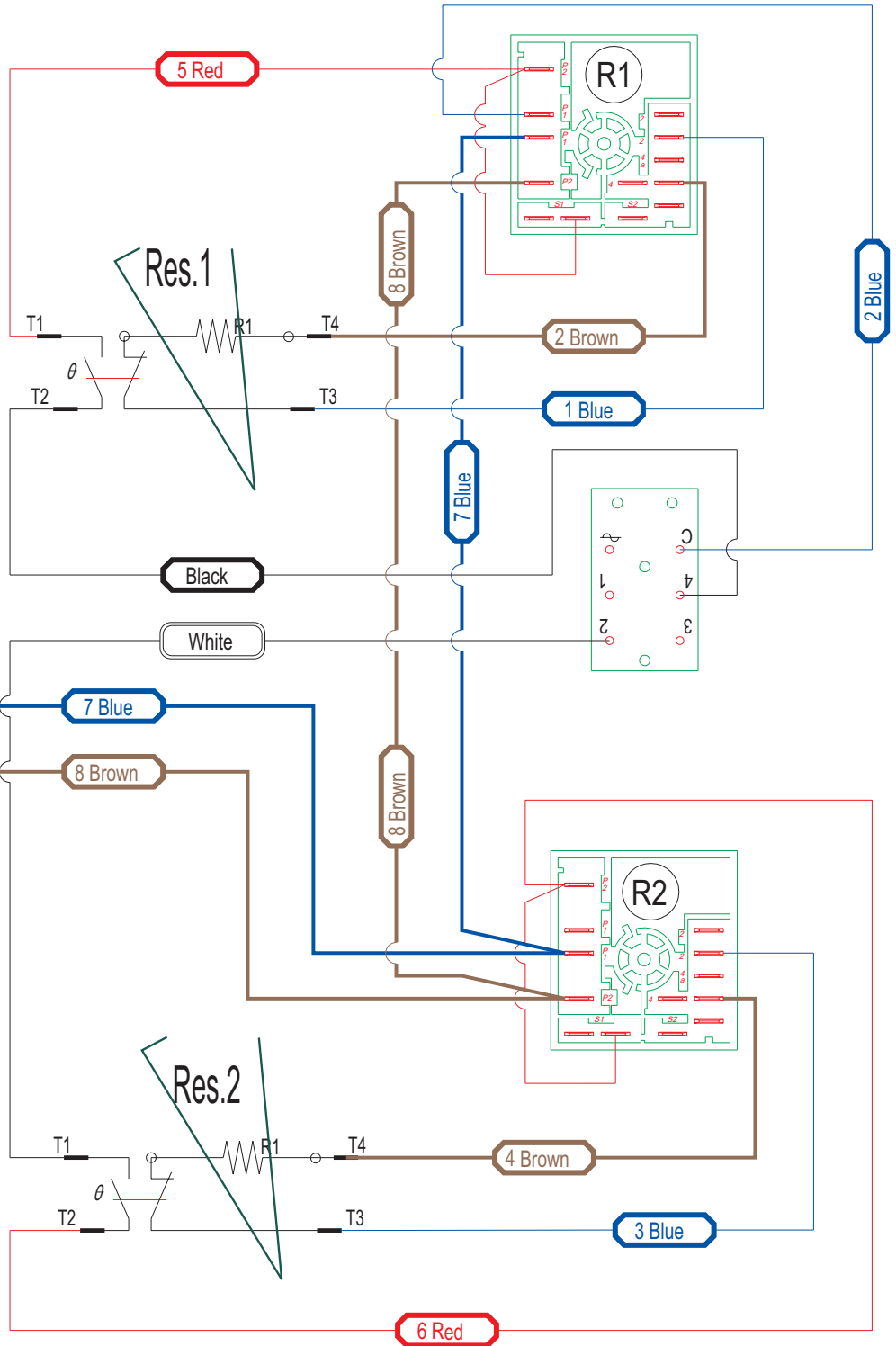
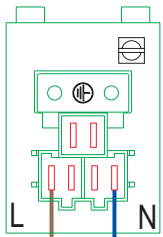


PR29



Res=Resistance    T=Terminal -> drawing 8PT000



Res=Resistance    T=Terminal -> drawing 8PT000